

# Lexmark XM1145 and XM3150 Monochrome Laser MFP



Model shown features additional options

## Powerful. Compact.



Mono



Duplex  
Printing



Solutions



Duplex  
RADF



Security



Up to  
47 ppm



10.9-cm (4.3-inch)  
or 17.8-cm (7-inch)  
Touch Screen



Network



Front USB

**LEXMARK**<sup>TM</sup>



## Lexmark XM1145 and XM3150



### Why Lexmark.

Founded in 1991 from an IBM heritage in Lexington, Kentucky, Lexmark is focused on delivering tailored solutions to solve the unique challenges businesses face. Lexmark's broad portfolio of high quality products, solutions, and services help improve productivity, increase efficiency and empower employees to perform at their best.



### Eco-responsible.

Printing responsibly and reducing the impact of printing on the environment is a win for your business and your budget. Our goal is to design, package and deliver innovative products and solutions that produce high quality output with reliable performance. And at the same time, help you minimise the number of cartridges you use over the life of a printer and conserve paper and energy.

The Lexmark Cartridge Collection Programme provides a variety of methods for free returns of your empty cartridges to Lexmark or our collection partners. Programme availability and details vary by country.



### Environmental protection is a shared responsibility.

Through work with industry groups, Lexmark helps guide the formation of standards and guiding principles for environmental sustainability.

### Our memberships include

- AeA Europe
- Ecma International
- Electronics Industry Citizenship Coalition (EICC)
- DIGITALEUROPE
- European Information & Communications Technology Industry Association (EICTA)
- Information Technology Industry Council (ITI) Environmental Leadership Council



## Lexmark XM1145 and XM3150 Overview



**Powerful performance.** The Lexmark XM1145 and XM3150 multifunction systems will help propel your business forward. Our solutions capable, eco-friendly systems can simplify processes and help you quickly respond to changing business needs.

- Process even the most complex jobs utilising the 800MHz dual-core processing power and up to 3GB of memory
- Get work done quickly with print and copy speeds up to 47 ppm and produce your first page in as little as 6.5 seconds
- Produce professional output with a system that delivers consistent image quality on a diverse range of materials
- Instant warm-up fuser helps reduce energy consumption and improve time to first page



**Business productivity.** The Lexmark XM1145 and XM3150 combine exceptional multifunction performance with time-saving applications designed to make you more productive.

- Save time with fast 2-sided colour scanning and quickly convert hard-copy documents into a digital format
- Advanced copy functions let you interrupt long print runs to make a quick copy and proof the first copy set before completing your copy job
- Scan to multiple destinations, including scan to network, email, FTP, fax, and more
- For higher volume print needs, optional input capacity can be added to keep jobs moving
- An in-line stapler option on the XM3150 will finish the job



**Easy and intuitive.** The Lexmark XM1145 and XM3150 is designed for easy operation to allow you to stay focused on customer engagements instead of routine maintenance.

- The easy to navigate 10.9 cm (4.3-inch) or 17.8 cm (7-inch) touch screen provides audible feedback to make completing tasks intuitive
- Print and scan preview features help you select documents or specific pages within a document
- Extend your environmental responsibility with energy-efficient settings such as the Sleep Button and Hibernate Mode
- Manage your devices with available software



## Propel your business forward

Our solutions are designed with your productivity in mind. The Lexmark XM1145 and XM3150 platform lets you interact with business applications directly on the device or with a server, on premise or hosted in "the cloud". Reduce unnecessary printing and simplify work processes with Lexmark solutions.

## Lexmark XM1145 and XM3150 Solutions

**Navigate to efficiency.** The Lexmark colour touch screen is a key access point to your device. The customisable, 10.9 cm (4.3-inch) or 17.8 cm (7-inch) interface gives you the ability to preview thumbnails of documents prior to printing, as well as change print job settings at the device. You can even view, select and print specific pages within a document directly from the touch screen. Its easy-to-use, intuitive navigation provides fast access to the functions and shortcuts.



XM3150 Series MFP

XM1145 Series MFP



The following are examples of preloaded solutions on the XM1145 and XM3150 MFPs.



### Multi Send (XM3150 only).

Capture and route a document to multiple destinations simultaneously and print a copy if you choose. Documents can be routed to email, network folders, or FTP sites.



### Forms and Favorites

Eliminate waste and inefficiencies associated with preprinted forms. Store frequently printed forms, marketing materials or other documents online, then print them on demand.



### Scan to Network Basic

Scan a hard copy document and route the image to one of 30 predefined or public shared network folders.



### Customer Support

This application provides you with an easy way to send information about your device to your authorised dealer or internal help desk.



### Device Quotas

Lexmark Device Quotas allows an administrator to configure user level quotas for print, scan, copy, and outbound fax.

Additional Lexmark solutions are available through your authorised Lexmark Business Solutions Dealers.



## Lexmark XM1145 and XM3150 Vertical Solutions



### Professional quality output is only part of the story

By leveraging our industry expertise, you can generate efficiency and increase productivity across business processes to gain the power you need to move ahead. Lexmark technology solutions are tailored to your business environment – where business interactions and decisions are happening.

Empower your employees with workflow solutions that refine work processes, capture critical data, and deliver information to the right place, at the right time, and in the right format.

Contact your Lexmark Business Solutions Dealer for specific vertical solutions\*. Solutions are customised through your dealer.

\* Optional software available. Licensing fees may apply.



### Keep sensitive information and documents secure

Lexmark builds network devices with security in mind to protect your data and documents throughout your entire workflow. Our wide range of security functions include device management, device hardening and device operation.

**Device management.** Tools include administrative access and passwords, HTTPS, SNMPv3, IP security (IPSec), and 802.1x support to remotely monitor and manage device usage.

**Device hardening.** Includes port filtering, TCP connection filtering, hard disk encryption, hard disk wiping and digitally signed firmware updates that enhance the security of the device's network interface.

**Device operation.** Reduce vulnerabilities with authentication and authorisation features, address book lookup via LDAP over SSL and device lockout for protection of user information.

### Lexmark has shown its strength and leadership with respect to security.

- Forming and chairing the group that created the IEEE 2600 standards for security on hard copy devices.
- Becoming the first hard copy device manufacturer to take a holistic approach with the National Information Assurance Partnership (NIAP) Common Criteria evaluation.

# Lexmark XM1145 and XM3150 Key Features

## Features that help you optimise your work



XM3150 with 17.8 cm (7-inch) colour touch screen and additional 550-sheet tray



XM1145 with 10.9 cm (4.3-inch) colour touch screen and additional 550-sheet tray



### 1) Intuitive colour touch screen

Operate your device with ease through smart and intuitive navigation. Receive audible feedback when you use the touch screen.



### 2) Flexible media handling

Add additional input capacity to handle higher volume output needs or an in-line stapler option for the XM3150 to finish the job.



### 3) Automatic document feeder

Save time by scanning both sides of your document with robust colour-scanning capabilities and multi-feed detection to reduce jams.



### 4) Direct USB

The front USB port allows for convenient walk-up preview, and printing and is compatible with most printable image file formats.



### 5) Lexmark solutions

Reduce unnecessary printing and simplify work processes through solutions applications pre-loaded on your device. Choose additional Lexmark solutions to fit your unique workflow needs.



### 6) Lexmark's Unison™ Toner

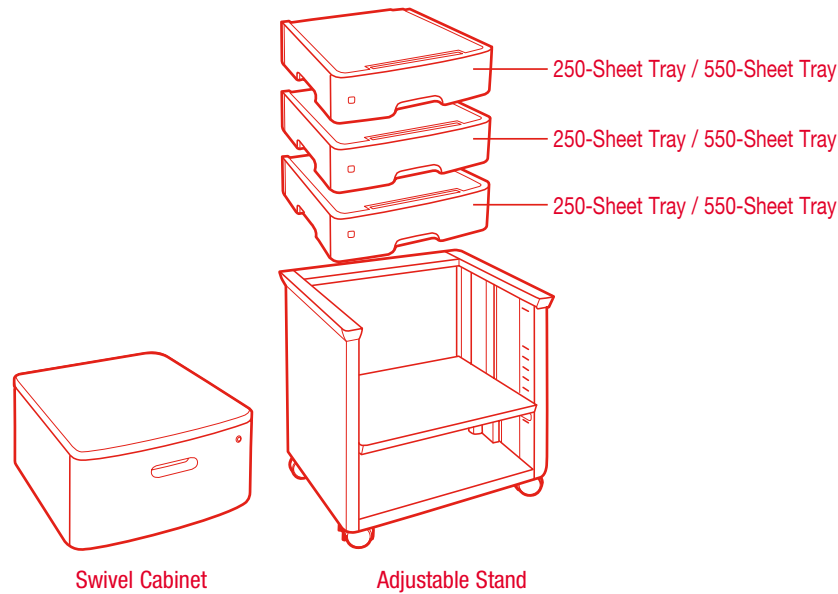
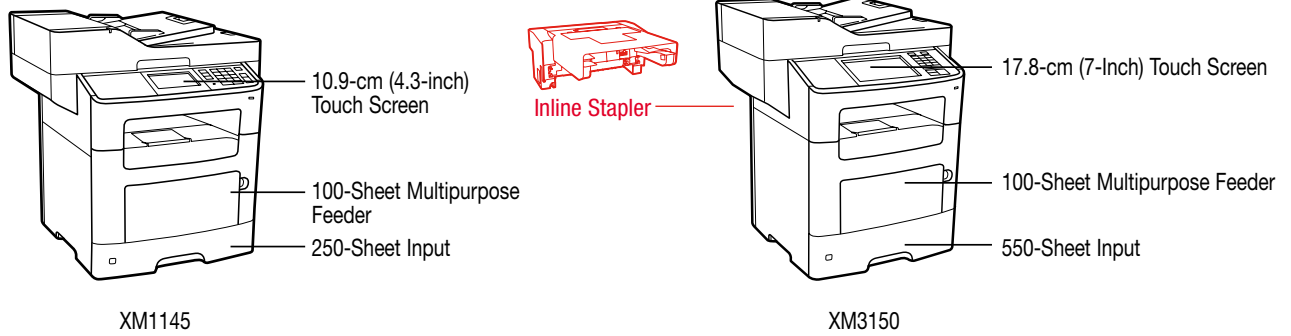
Advanced toner science – powerful enough to deliver consistently outstanding image quality, with a shake free print system.



### 7) Eco-friendly features

Easy-to-access features like Eco-Mode to reduce paper and toner consumption, the Sleep Button and Hibernate Mode make it easy to print responsibly and help you save energy.

# Lexmark XM1145 and XM3150 Ordering Information



- Standard
- Optional

## XM1145 and XM3150

Part #	Model
3076473	Lexmark XM1145
3076474	Lexmark XM3150
Part #	Laser Toner/Print Cartridge
24B6035	M1145, XM1145 Toner Cartridge (XM1145)*
24B6040	Imaging Unit
24B6186	M3150, XM3150 Toner Cartridge (XM3150)*
35S8500	Staple Cartridges (XM3150)*
Part #	Paper Handling
35S0567	550-Sheet Tray
35S0267	250-Sheet Tray
35S8000	MX61x Stapler (XM3150)*
Part #	Furniture
35S8502	Adjustable Stand
3073173	Swivel Cabinet
Part #	Memory Options
57X9016	1024MBx32 DDR3-DRAM
57X9012	2048MBx32 DDR3-DRAM
57X9101	256MB Flash Memory Card
27X0210	160+ GB Hard Disk
57X9115	Japanese Font Card

57X9114	Korean Font Card
57X9112	Simplified Chinese Font Card
57X9110	Traditional Chinese Font Card

Part #	Application Solutions
35S5889	MX410, MX51x Card for IPDS (XM1145)*
35S5888	MX410, MX51x Forms and Bar Code Card (XM1145)*
35S5890	MX410, MX51x Card for PRESCRIBE Emulation (XM1145)*
35S6851	MX610, MX611 Card for IPDS (XM3150)*
35S6850	MX610, MX611 Forms and Bar Code Card (XM3150)*
35S6852	MX610, MX611 Card for PRESCRIBE Emulation (XM3150)*

Part #	Connectivity
1021294	USB (2 Meter) Cable
27X0903	Lexmark MarkNet 8350 802.11b/g/n Wireless
27X0901	Parallel 1284-B Interface Card
1021231	Parallel (10') Cable
27X0900	RS-232C Serial Interface Card

Part #	User Replaceable Parts
40X9054	ADF Input Paper Tray (XM1145)*

Part #	Service Parts
40X9136	Fuser Maintenance Kit, 220-240V (XM1145)*
40X9108	ADF Separator Roller

40X9138	MX61x Fuser Maintenance Kit, 220-240V (XM3150)*
---------	---

\* Available on this model

# Lexmark XM1145 and XM3150 Product Specifications



Product specifications	Lexmark XM1145	Lexmark XM3150
<b>Printing</b>		
Display	Lexmark e-Task 10.9 cm (4.3-inch) colour touch screen	Lexmark e-Task 17.8 cm (7-inch) colour touch screen
Print Speed: Up to <sup>4</sup>	Black: 42 ppm	Black: 47 ppm
Time to First Page: As fast as	Black: 6.5 seconds	
Print Resolution	Black: 600 x 600 dpi, 1200 Image Quality, 1200 x 1200 dpi, 2400 Image Quality	
Memory / Processor	Standard: 512 MB / Maximum: 2560 MB / Processor: Dual Core, 800 MHz	Standard: 1024 MB / Maximum: 3072 MB / Processor: Dual Core, 800 MHz
Hard Disk	Option available	
Recommended Monthly Page Volume <sup>2</sup>	2000 - 12000 Pages	2000 - 15000 Pages
Maximum Monthly Duty Cycle: Up to <sup>3</sup>	100000 pages per month	150000 pages per month
<b>Copying</b>		
Copy Speed: Up to <sup>4</sup>	Black: 42 cpm	Black: 47 cpm
Time to First Copy: As fast as	Black: 6.5 seconds	
Reduce / Enlarge Range	25 - 400%	
<b>Scanning</b>		
Duplex Scan Speed: Up to	A4/Ltr, Black: 18 / 19 sides per minute - A4/Ltr, Colour: 8 / 9 sides per minute	A4/Ltr, Black: 20 / 21 sides per minute - A4/Ltr, Colour: 13 / 14 sides per minute
Simplex Scan Speed: Up to	A4/Ltr, Black: 41 / 43 sides per minute - A4/Ltr, Colour: 19 / 20 sides per minute	A4/Ltr, Black: 45 / 48 sides per minute - A4/Ltr, Colour: 30 / 32 sides per minute
Scanner Type / ADF Scan	Flatbed scanner with ADF / RADF (reversing Duplex) / 50 pages 75 gsm bond	
Optical Scanning Resolution	1200 X 600 ppi (black), 600 X 600 ppi (colour)	
<b>Faxing</b>		
Modem Speed	ITU T.30, V.34 Half-Duplex, 33.6 Kbps	
<b>Supplies</b>		
Laser Cartridge Yields <sup>1</sup>	16,000-page Extra High Yield Cartridge	
Cartridge(s) Shipping with Product <sup>5</sup>	5,000-page Starter Return Program Toner Cartridge	7,500-page Starter Return Program Toner Cartridge
Imaging Unit Estimated Yield: Up to	60000 pages, based on 3 average letter/A4-size pages per print job and ~ 5% coverage	
<b>Paper Handling</b>		
Included Paper Handling	Integrated Duplex, 100-Sheet Multipurpose Feeder, 250-Sheet Input, 150-Sheet Output Bin	250-Sheet Output Bin, 100-Sheet Multipurpose Feeder, 550-Sheet Input, Integrated Duplex
Optional Paper Handling	550-Sheet Tray, 250-Sheet Tray	Inline Stapler, 550-Sheet Tray, 250-Sheet Tray
Paper Input Capacity: Up to	Standard: 350 pages 75 gsm bond / Maximum: 2000 pages 75 gsm bond	Standard: 650 pages 75 gsm bond / Maximum: 2300 pages 75 gsm bond
Paper Output Capacity: Up to	Standard: 150 pages 75 gsm bond / Maximum: 150 pages 75 gsm bond	Standard: 250 pages 75 gsm bond / Maximum: 250 pages 75 gsm bond
Media Types Supported	Refer to the Card Stock & Label Guide, Plain Paper, Envelopes, Card Stock, Paper Labels, Transparencies	
Media Sizes Supported	A6, 10 Envelope, 7 3/4 Envelope, 9 Envelope, A4, A5, DL Envelope, Executive, Statement, Letter, Legal, Folio, JIS-B5, Universal, Oficio	
<b>General</b>		
Standard Ports	Rear USB 2.0 Specification Hi-Speed Certified port (Type A), USB 2.0 Specification Hi-Speed Certified (Type B), One Internal Card Slot, Gigabit Ethernet (10/100/1000), Front USB 2.0 Specification Hi-Speed Certified port (Type A)	
Optional Network Ports / Optional Local Ports	Internal MarkNet N8350 802.11b/g/n Wireless / Parallel 1284-B Interface Card, Internal RS-232C serial	
Noise Level, Operating	Printing: 56 dBA / Copy: 56 dBA / Scan: 55 dBA	Printing: 55 dBA / Copy: 56 dBA / Scan: 55 dBA
ENERGY STAR	Yes	
Specified Operating Environment	Altitude: 0 - 2896 Meters (9,500 Feet), Humidity: 8 to 80% Relative Humidity, Temperature: 16 to 32°C (60 to 90°F)	
Size (mm. - H x W x D) / Weight (kg)	502 x 489 x 452 mm / 21.8 kg	561 x 489 x 479 mm / 23.6 kg

<sup>1</sup> Yield at approximately 5% print coverage. <sup>2</sup> "Recommended Monthly Page Volume" is a range of pages that helps customers evaluate Lexmark's product offerings based on the average number of pages customers plan to print on the device each month. Lexmark recommends that the number of pages per month be within the stated range for optimum device performance, based on factors including: supplies replacement intervals, paper loading intervals, speed, and typical customer usage. <sup>3</sup> "Maximum Monthly Duty Cycle" is defined as the maximum number of pages a device could deliver in a month using a multishift operation. This metric provides a comparison of robustness in relation to other Lexmark printers and MFPs. <sup>4</sup> Print and copy speeds measured in accordance with ISO/IEC 24734, excludes first set of test documents. For more information see: [www.lexmark.com/ISOspeeds](http://www.lexmark.com/ISOspeeds). <sup>5</sup> Average standard page yield value declared in accordance with ISO/IEC 19752.



Unison is a trademark of Lexmark International, Inc. Lexmark and Lexmark with the diamond design are trademarks of Lexmark International, Inc., registered in the United States and/or other countries. All other trademarks are the property of their respective owners. Information in this document is subject to change without notice. ENERGY STAR® is a U.S. registered mark.