

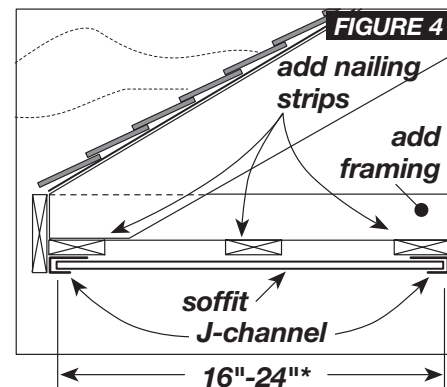
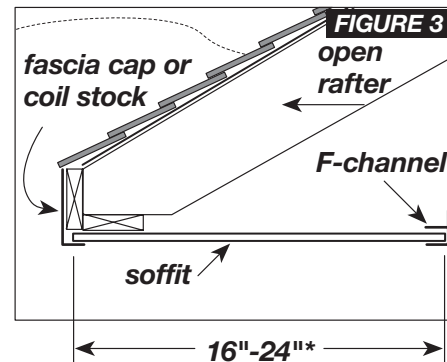
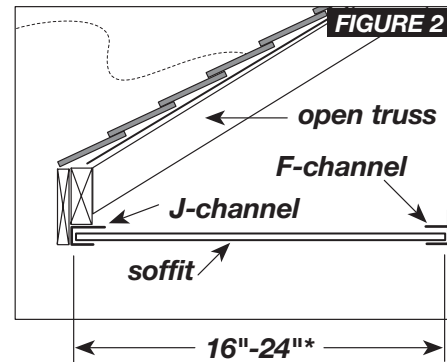
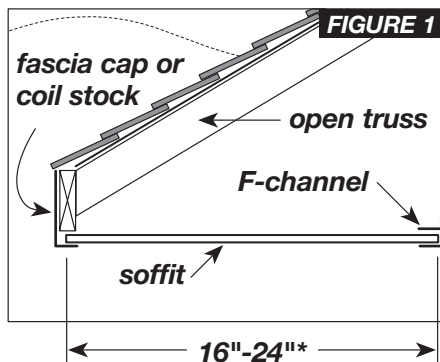
These instructions describe and illustrate the steps involved in installing CertainTeed siding and trim. Their purpose is to provide detailed information and how-to tips that will simplify the installation process. CertainTeed shall not accept any liability or responsibility under its written warranty for failure caused by application that does not meet our minimum requirements for proper installation. These requirements are outlined throughout the *CertainTeed Installation Guide (CTS205)*. Any deviations from these requirements should be approved in writing by CertainTeed Corporation.

You can use solid vinyl panels or perforated vinyl panels for soffit installations. Perforated panels provide ventilation, which helps to reduce heat buildup in the summer and ice dams in the winter. In buildings with roof ridge vents, you should install ventilated soffit. Check local building codes to determine the amount of ventilation required. In high windload areas, you should also check local building codes to determine if the application methods that are required differ from those described below. The procedure used to install soffit depends on the construction of the eaves:

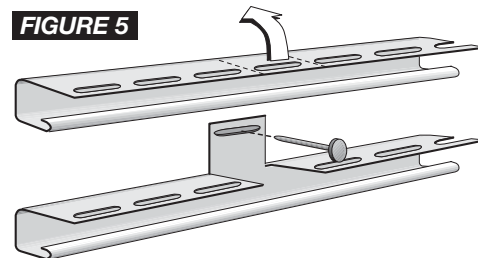
- **Open eaves**—eaves with exposed rafters or trusses—are typical of new construction. You will also have to use open eave installation procedures if you have to remove damaged soffit at a remodeling project.
- **Enclosed eaves**—eaves with soffit in place—are typical of remodeling projects.

Installation over Open Eaves

The first step in installing soffit is to install the proper receiving channels. You have several options for receiving channels. You can use accessories such as F-channel or J-channel, or you can make channels using coil stock. The best approach is to select a method that works most effectively with the construction techniques used to create the eave. Examine figures 1-4 and find the one that most closely resembles the construction methods used on your particular project.



If no F-channel is available, J-channel can be modified to create F-channel. Simply cut slots (as shown in figure 5) in the nail flange area where it would be nailed to the wall.



After cutting the nail flange, bend the flange back and nail to the wall. When installing Beaded T2" panels, use 3/8" H-bar or 3/8" J-channel.

* To determine the maximum permissible span, consult individual product specifications and local building codes.

Installing Receiving Channels

Install the receiving channels following the details shown in figures 1-4. Nail the channels every 16", positioning the nail in the center of the slot. Do not nail tightly. If you're using Beaded T2" panel as soffit, nail both the channel and the soffit every 8"-12" to create added support.

If the eave span is greater than 16", you will have to install nailing strips (as shown in figure 4) and install the receiving channels on the nailing strips.

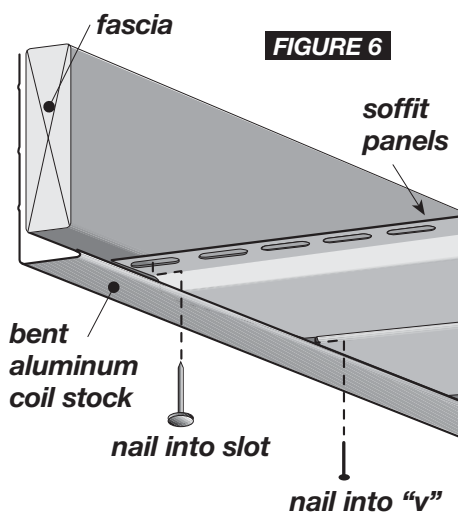
If the soffit will turn a corner, cut and install the channel so there is 1/4" for expansion at each of the adjoining walls.

Installing Soffit

Measure from the wall to the fascia board. Then subtract 1/2" to allow for expansion. Mark this dimension on a soffit panel and cross cut the panel using a power circular saw with a reversed fine-tooth blade. Cut one or two panels at a time, carefully advancing the saw through the vinyl.

Insert the panel into the channel on the wall, then into the channel at the fascia board. You may have to flex the panel slightly to insert it into the second channel. Make certain the panel is perpendicular to the wall, then nail. Depending on the installation method you're using, you'll nail either to a nailing strip or to the fascia board.

If you're nailing to the fascia board, use small-headed nails. Drive the nail through the nail flange and "V" groove, as shown in figure 6. This is one of the rare instances when face nailing is permissible. Once a soffit panel is face-nailed, it will expand only in one direction—in this case, toward the receiving channel. Be sure to leave space for the full expansion allowance in the receiving channel.

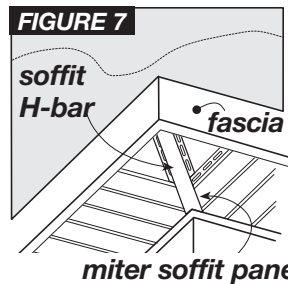


If you're using a nailing strip (as in figure 4), do not nail tightly—allow movement for expansion.

Continue installing the panels by locking and nailing the soffit in place. Make certain soffit panels are fully locked along their entire length.

Turning a Corner

To turn a corner, measure from the channel at the wall corner to the channel at the corner of the fascia board. Subtract 1/4" for expansion.



If necessary, install nailing strips to provide backing for the lineal. Cut and install soffit double channel lineal or H-bar (see figure 7). Miter the corner soffit panels and install as described above.

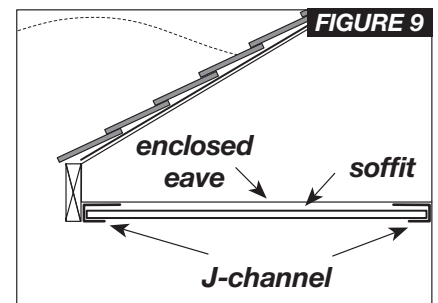
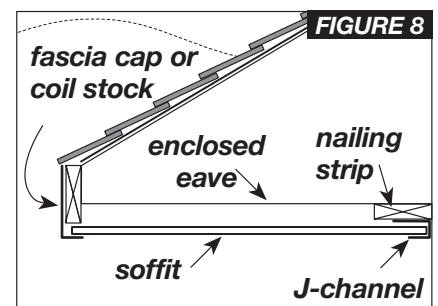
Completing the Installation

To complete the installation, apply utility trim and fasten aluminum fascia cap or formed aluminum coil stock with painted trim nails. If you must face nail fascia, drill holes for the trim nails to allow for expansion and to reduce denting of the aluminum.

Installation over Enclosed Eaves

If the existing soffit is rotted or damaged, it's best to remove it completely before installing vinyl soffit. Then use the instructions for open eaves.

If you're installing perforated soffit panels and the existing soffit doesn't have openings for ventilation, cut an adequate number of openings. Then complete the installation as described for open eaves.



The procedure used to install soffit over an enclosed eave is almost identical to that used for an open eave. The major difference is the installation of the J-channel. Determine the method you'll use to install soffit at the fascia board (see figures 8 and 9). When installing J-channel at either the wall or the fascia board, nail the J-Channel every 12"-16".

Turning a Corner

If the soffit is to turn a corner, cut and install J-channel so there is 1/4" for expansion at each of the adjoining walls and adjoining fascia boards. Miter the corner soffit panels and install as described above.

If you have any questions about installing this product, please call us at 800-233-8990.