

RUBBISH CHUTES

LINEN CHUTES

RECYCLING SYSTEMS

CONTROL SYSTEMS

COMPACTORS

STORAGE LOCKERS

DOORS

TRASH (TYPE B-H)

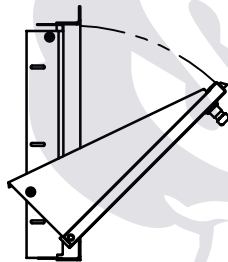
Doors are constructed of 20 gauge stainless steel fronts, 16 gauge aluminized steel backs and bear a 1 1/2 hour U.L. "B" label. Doors have a No. 4 stainless finish, unmarred by welds. Doors are silent, self-closing, self latching and bottom hinged with a cold-rolled steel shaft hinge.



SIZES (Nominal)

A	B
12"	15"
15"	18"
18"	18"
21"	18"
21"	21"
24"	24"

Frame dimensions are
A + 1/2" and B + 1 3/4"



SECTION

OPTIONS:

- Customized interlocking systems
- Pneumatic operation
- Electrical operation
- Cylinder locks keyed to building system
- Specific sizes to retrofit existing chutes
- Customized control systems

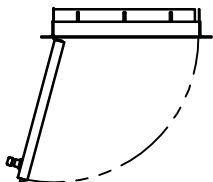
LINEN AND ACCESS (TYPE L-S)

Doors are constructed of 20 gauge 304 stainless steel fronts, 16 gauge aluminized steel backs and bear a 1 1/2 hour U.L. "B" label. Doors have a No. 4 stainless finish, unmarred by welds. Doors are silent, self-closing, self latching and side hinged with a heavy duty piano style stainless steel hinge.

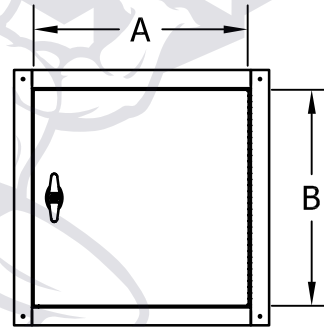
SIZES (Nominal)

A	B
15"	15"
18"	18"
21"	21"
24"	24"

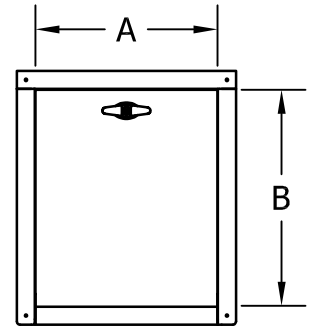
Frame dimensions are
A + 1/2" and B + 1/2"



PLAN



ELEVATION



ELEVATION

LINEN CHUTES

(Recommended Door Sizes)

Chute Diameter In Inches	Door Size (A x B) In Inches
18	15 x 15
20	18 x 18
22	18 x 18
24	21 x 21
28	21 x 21
30	24 x 24

RUBBISH CHUTES

(Recommended Door Sizes)

Chute Diameter In Inches	Door Size (A x B) In Inches
18	15 x 18
20	15 x 18
22	15 x 18
24	15 x 18
28	18 x 18
30	18 x 18

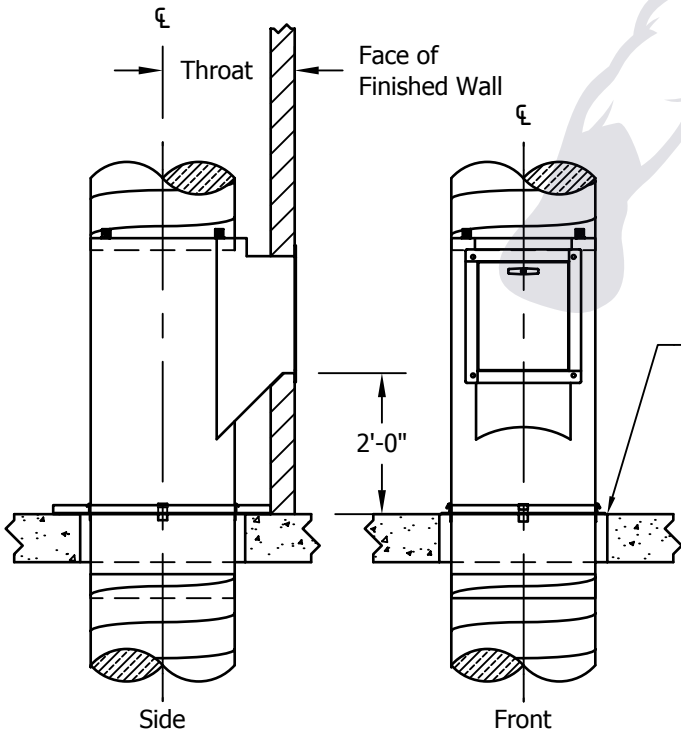
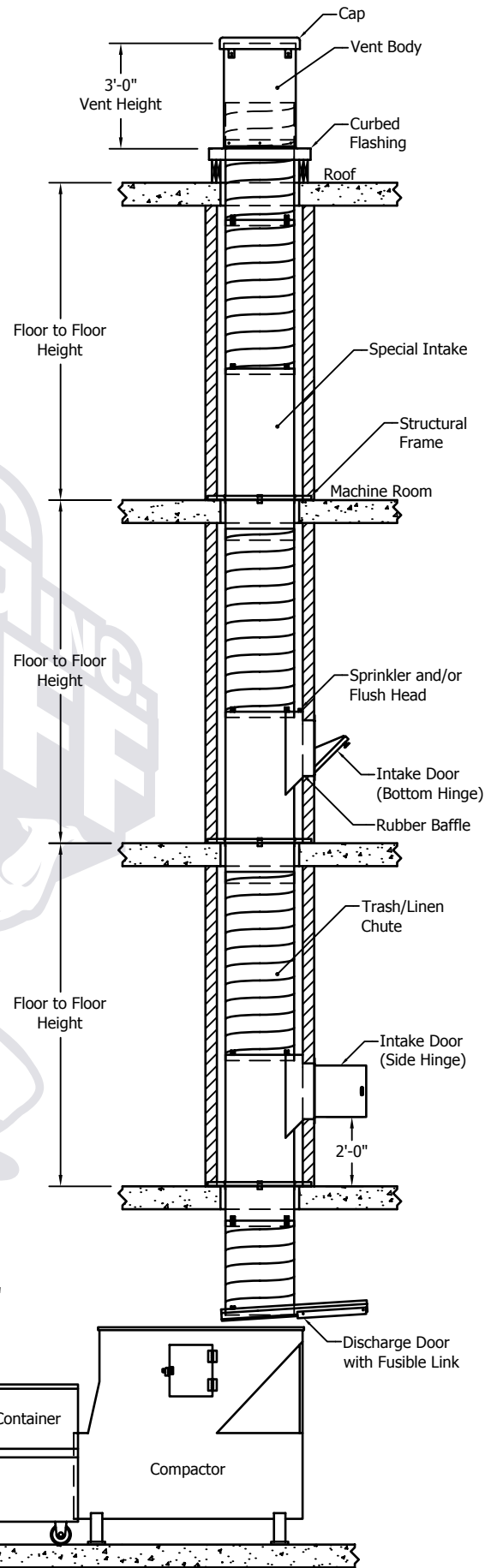
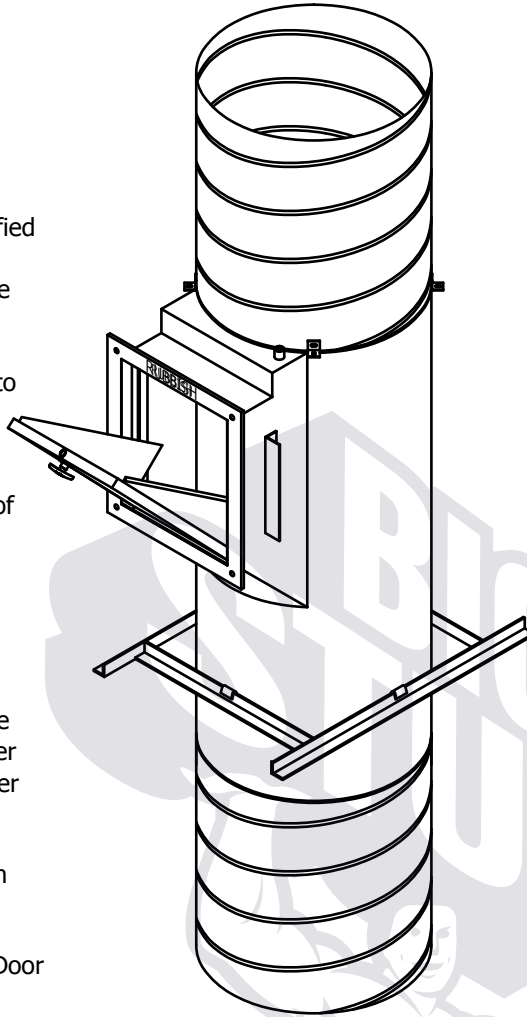
CHUTE

A basic chute contains:

- Intake sections with a specified door installed in unit and a spiral section to make up the balance of the floor height.
- Angle iron structural frame to support the chute.
- Discharge equipped with a fusible link to close in case of fire.
- Full diameter vent to extend four feet above roof level.
- Sprinkler Head and Flushing Head at the top intake of the chute and additional sprinkler heads at every other floor per NFPA-82.

Extra items may be ordered, such as:

- Sanitizing Unit with Access Door
- Electric Interlocks
- Heat and Smoke Detectors
- Sound Coating and Isolation Pads

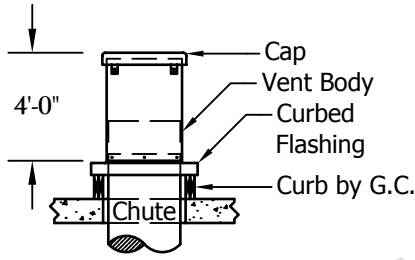


Side

Front

VENTS

TYPE G: To comply with the NFPA 82 Standard, trash and linen chutes must extend full diameter through the roof into a vent at least 4'-0" high. Contractor must indicate whether the roof is flat, curbed or pitched prior to fabrication.



T-HANDLES

Standard T-handle with spindle has a polished chrome finish.



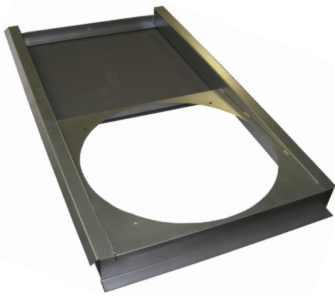
LEVER HANDLES

Lever handle with spindle is designed to comply with the Americans with Disabilities Act and has a satin finish. Handles can be configured so key may only be removed in the locked position.



DISCHARGES

TYPE D-HS: HORIZONTAL STEEL ROLLING DOOR



Door is insulated "B" label construction equipped with a fusible link and wheel rollers and can be used on both trash or linen chutes.

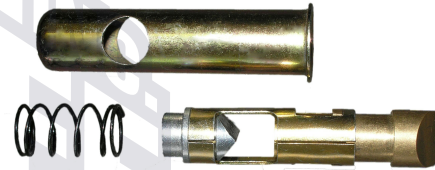
TYPE D-TH: HOPPER TYPE TOP HINGED "B" LABEL DOOR. Stainless steel door for use with linen chutes where material must be directed from one area to another. A direct discharge is always the most desirable. This outlet is only a substitute where a direct discharge cannot be used. This hopper is equipped with a top hinged door and fusible link.



Chute Diameter In Inches	Door Size (A x B) In Inches
18	18 x 30
20	20 x 30
22	22 x 30
24	24 x 30
28	28 x 36
30	30 x 36

LATCH ASSEMBLIES

Latch assembly consisting of a latch bolt, latch case and spring is supplied with each door.



DOOR TRIM

One piece or four piece trim fabricated of 20 gauge 304 stainless steel is available for each intake door. Trim is finished to match doors and can be embossed "Rubbish", "Trash", "Recycle" or "Soiled Linen".

ELECTRIC OR PNEUMATIC DOORS

These special intake doors are designed to comply with the Americans with Disabilities Act requirements.

ISOLATOR PADS

These pads are installed under the structural frame to help eliminate vibration transmission from the chute to the supporting structure.

BAFFLES

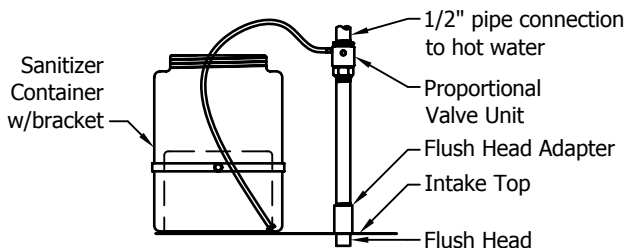
Rubber or metal baffles are available to eliminate back-drafts which are common in hi-rise chute applications.

INTERLOCKS

When one intake door is open all others will remain locked.

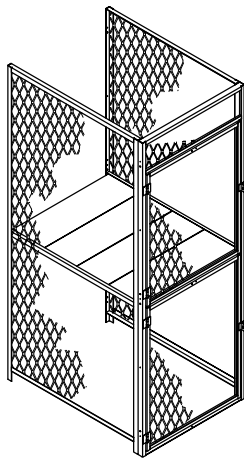
SANITIZING UNIT

This unit maybe ordered to attach to the flushing system to apply disinfectant to the chute and is equipped with a proportional valve for regulation.



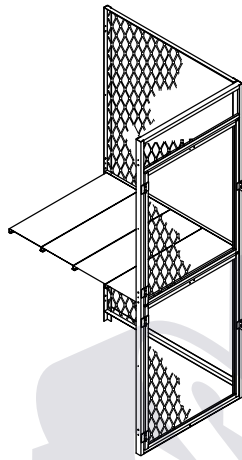
STORAGE LOCKERS

DOUBLE TIER STORAGE LOCKERS



STARTER UNIT

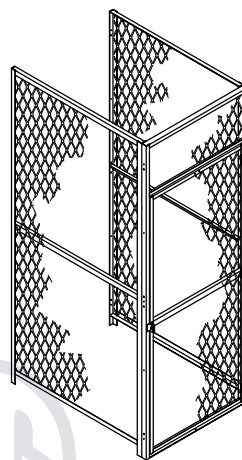
- (1) Double Tier Door
- (2) End Run Panels
- (3) Shelf Set



ADD-ON UNIT

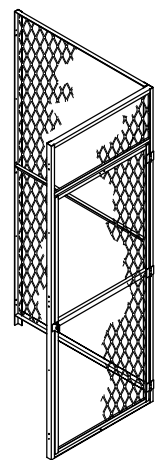
- (1) Double Tier Door
- (1) Side Panel
- (1) Shelf Set

SINGLE TIER STORAGE LOCKERS



STARTER UNIT

- (1) Single Tier Door
- (2) End Run Panels



ADD-ON UNIT

- (1) Single Tier Door
- (1) Side Panel

Wall-mount top section of the double-tier locker for extra floor clearance.
Add extra steel thickness up to 7 gauge for added security.
Add keyed cylinder locks to create keyed locking systems.
Standard 3', 4' and 5' widths and depths and 7'-6" height.
Custom sizes available to fit special requirements.

Contact Century Chute for additional custom design considerations.

STORAGE LOCKER SPECIFICATIONS:

Lockers shall be fabricated as manufactured by Century Chute in accordance with the following specifications:

SIDE PANEL: 3/4" 13 gauge flattened expanded sheet metal with 14 gauge formed metal channel frame, securely welded and pre-punched for field installation.

FINISH: All side panels, door fronts and expanded metal backs and tops finished with a sprayed semi-gloss gray enamel paint.

DOOR FRONT: 3/4" 13 gauge flattened expanded sheet metal with 14 gauge formed metal channel frame with integral door stop, 10 gauge lock hasps and pin non-removable hinges, all securely welded and pre-punched for field installation. Sliding doors are available to accommodate special requirements.

INSTALLATION: Starter unit shall be installed true, square, plumb and fastened to the surrounding structure. Use appropriate concrete (or other) anchors to secure initial and additional locker assemblies to structure at contact points. Self-drilling sheet metal screws shall be used for assembly of locker panels.

LABELS: Each locker shall have an embossed metal tag riveted in place and numbered in accordance with the building specifications.

BACK PANEL: 3/4" 13 gauge flattened expanded sheet metal with 14 gauge welded metal frame or solid 20 gauge aluminized steel, both pre-punched for field installation. Backs are required for back-to-back configurations.

TOPS: 3/4" 13 gauge flattened expanded sheet metal ready for field installation using self-drilling sheet metal screws.

SHELF SET: 20 gauge aluminized steel shelves formed for extra strength.

LOCKS: Cylinder locks are provided when specified and can be keyed to match the building system.

CHUTE SPECIFICATIONS

RUBBISH/LINEN CHUTE

All rubbish and linen chute systems are precision laser cut. We furnish one round rubbish/linen chute fabricated of 16 gauge aluminized steel (304 and 430 stainless steel are also available) as manufactured by Century Chute. Standard doors are shipped assembled to the intake. All seams are mechanically locked or butt welded to eliminate leaks. We provide two types of sound coat to minimize noise. Chute is shipped in sections needing only to be slip-joined to ensure a simple installation.

DISCHARGE DOOR (TYPE D-HS)

Chute equipped with one 24" steel rolling discharge door. Door is insulated with U.L. "B" label construction and is equipped with roller bearings for smooth operation.

LINEN INTAKE

Provide 21" x 21" side hinged intake doors where shown on plans. Doors must bear a 1 1/2 hour U.L. "B" label. Doors are silent, self closing and self latching with a No. 4 finish, unmarred, with no exposed welds.

VENT

Chute to extend full diameter 4'-0" above the roof, with a solid top.

RUBBISH INTAKE

Provide 15" x 18" bottom hinged hopper type intake doors where shown on plans. Doors must bear a 1 1/2 hour U.L. "B" label. Doors are silent, self closing and self latching with a No. 4 finish, unmarred, with no exposed welds

SPRINKLERS & FLUSHING HEAD

Provide 165 degree fusible sprinkler heads, 1/2" I.P.S. where shown on plans. Sprinkler is installed at top of intake throat with threaded fitting ready for plumbing connection. Provide one 1/2" I.P.S. flushing head at top of chute. Flushing head has a threaded fitting for plumbing connection.

STRUCTURAL FRAMES

Structural frames fabricated of 1 1/2" x 1 1/2" x 3/16" steel angle provided at each floor. Steel hanger clips are factory welded to exterior of chute.

NOTE: Specifications subject to change without notice.

Century Chute was established in 1998 and we enjoy over 60 years of chute design and manufacturing experience. We are capable of providing a full line of trash and linen chute products including manual, pneumatic, foot operated, electric and interlock doors, along with a complete state of the art control system.

Century has grown into one of the largest chute manufacturers with distributors covering all of the United States. Unlike our competition our company is backed by a full service Machine Shop (www.unitedmachineandtool.com), featuring CNC Machining, Fabrication, Precision Laser Cutting, CNC Punching & Bending, Spiral Pipe Machine and finally a full welding shop with MIG & TIG capability. To support the above, we have a drafting and engineering department that utilizes the latest CAD and Inventor programs for our designs. We are U.L. approved to manufacture any style of intake door and all our doors will come with a U.L. sticker.

On September 17, 2012 Century Chute was acquired by Elcon, Inc. (www.elcon.net/). Change always welcomes opportunity and Century Chute has always been ready and willing to embrace it. Yet, through it all, Century Chute is still dedicated to good old fashion union manufacturing. We're bringing new efficiencies to manufacturing by mixing skilled craftsmanship with world class technology to design and build our chute systems. We take pride in our core values of customer service, innovation, quality and superior value.



**105 INDUSTRIAL DRIVE
MINOOKA, IL 60447
PH: 815-467-7921
FAX: 815-467-7989**

WWW.CENTURYCHUTE.COM