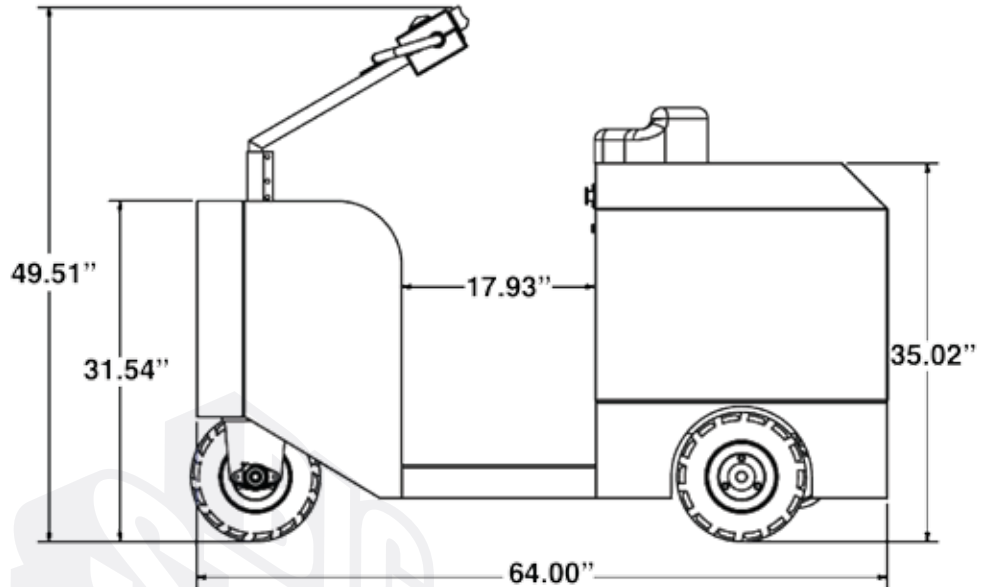
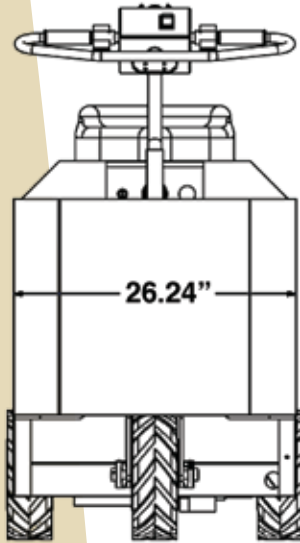


RiderCaddy™



RiderCaddy Standard Features

- Formed Steel Frame
- 3000 lb. Differential / Transaxle
- High Tech Speed Controller
- Neutral Throttle Braking
- Adjustable Acceleration/Braking
- Variable Speed Thumb Twist Grips
- 0-6 mph Forward / 0-2 mph Reverse
- Non-Marking Foam Filled Tires
- Battery Discharge Indicator
- Automatic Onboard Charger
- Safety Horn
- 36v(3) 115 Amp Maintenance-Free Batteries

RiderCaddy Options

Recommended Standard Package (Loads up to 5000 lb.)

RiderCaddy

5th Wheel Arm Bracket

Spring Hitch

Electric Lift Kit (with bushing arm)

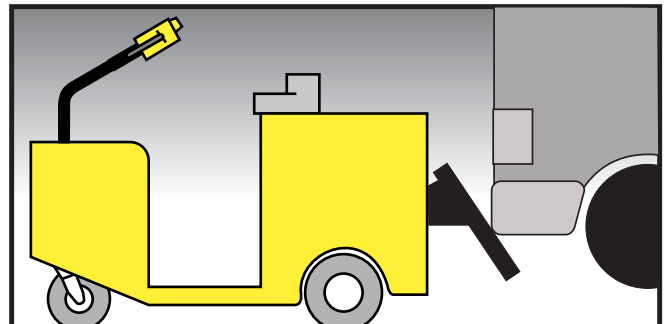
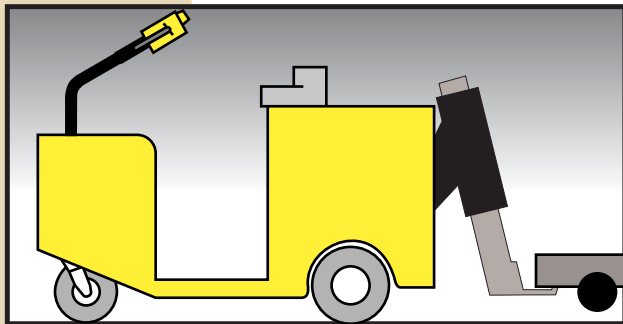
Custom Adjustable Powder Coated

Steel Attachment

Pintle Hitch

Ball Hitch

Push Pad



These options are only recommendations. Please consult a Sales Engineer at DJ Products, Inc. for your specific application. Other options are available.