





## Safety

The trash room is the #1 area for injuries in a multi-family property.



## Efficiency

The WasteCaddy can double efficiency in the trash room.



## Risk

Reduce Workers Comp insurance premiums and lower your E-MOD rating.

### BIG STUFF CADDY STANDARD

### BIG STUFF CADDY HEAVY DUTY

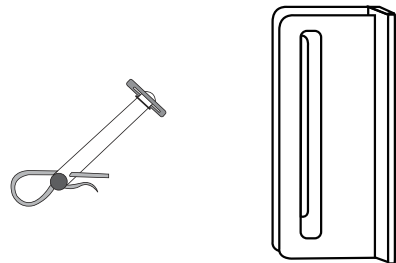


# The BIG STUFF CADDY

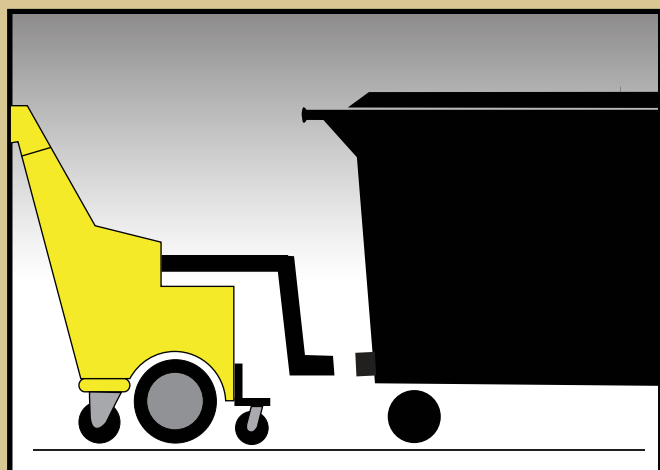
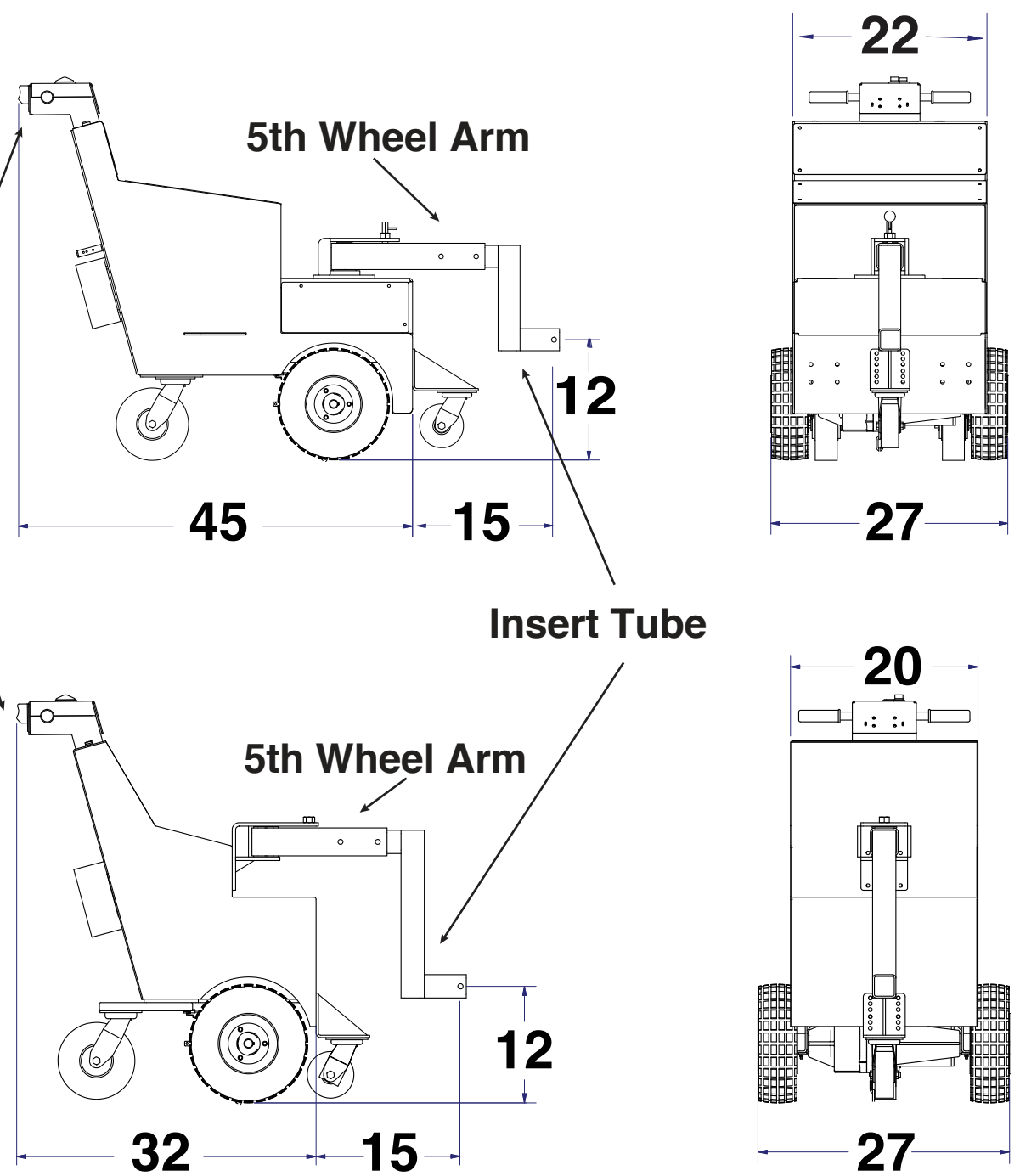
www.Bigstuffinc.com

Safety Stop Switch

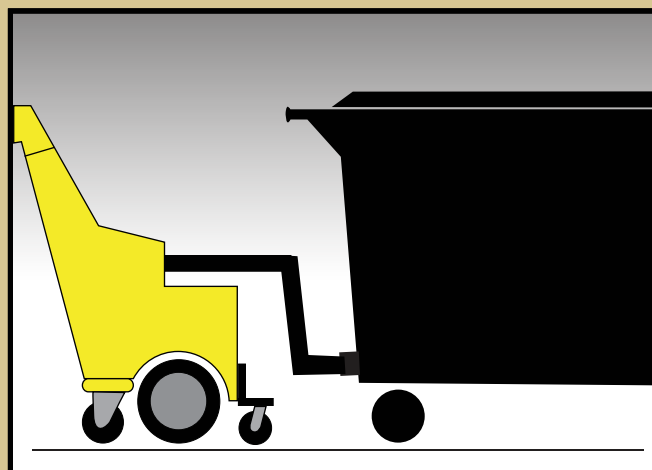
### BIG STUFF CADDY LITE



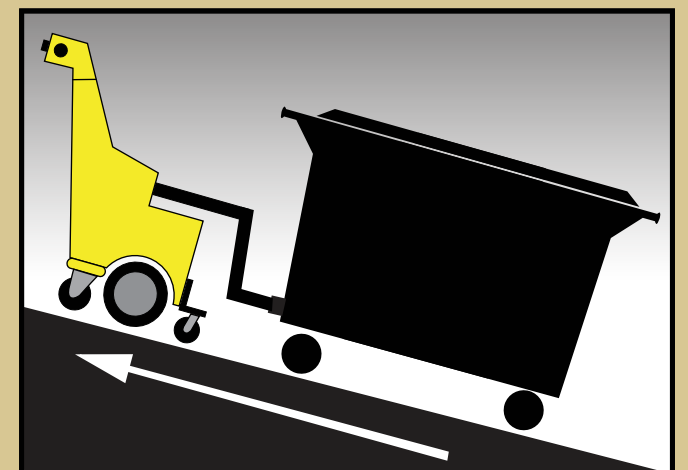
Bolt on receiver & pin for connecting to any trash container



Insert tube on the front of the WasteCaddy attaches to the bottom of the dumpster.



Custom receivers provided for quick and easy connection to containers.



The WasteCaddy easily pulls heavy trash containers up inclines through snow and ice.



## BIG STUFF, INC.

Waste Handling & Recycling Equipment  
Trash, Linen & Temporary Debris Chutes

• PH: 301.499.3700 • service@bigstuffinc.com