

CLOSET LIGHT CONTROLLERS



DESCRIPTION

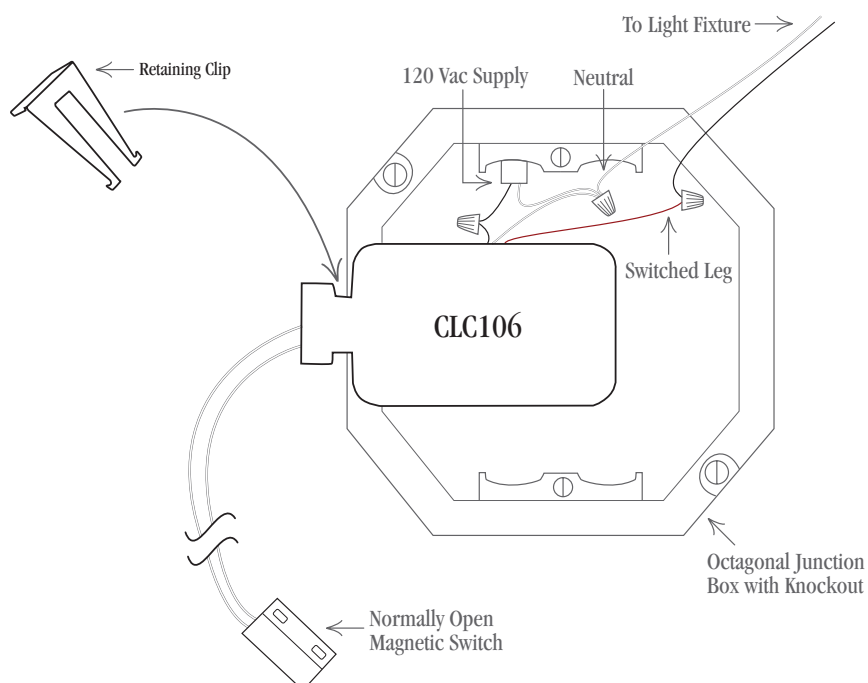
Our closet light controllers are designed to switch a lighting load (on/off) determined by the opening or closing of a variety of switches. For example, door jam switches, magnetic switches, ball switches, etc.

SPECIFICATIONS

See reverse side.

FEATURES

- 5 Amp relay
- UL listed
- 120 Vac power
- Includes N/O magnetic door jam switch
- Includes retaining clip
- Fits easily inside junction box
- No transformer needed (dry contact input)
- Perfect for retrofit applications
- Made in USA



■ RETROFIT APPLICATIONS

- Easily fits inside junction box
- Includes Normally Open (N/O) magnetic door switch
- 120 Vac Operation



Functional Devices, Inc.
 310 South Union Street
 P.O. Box 368
 Russiaville, IN 46979

Office 765.883.5538
Sales 800.888.5538
Fax 765.883.7505
Email sales@functionaldevices.com

CLC106

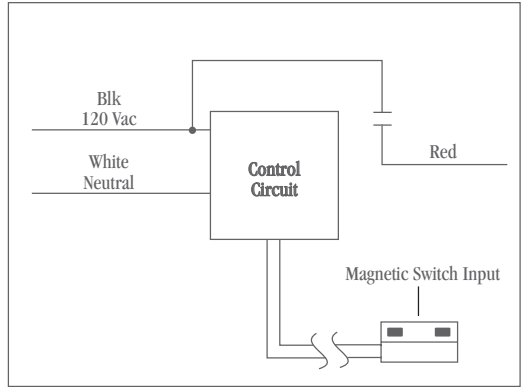
CLOSET LIGHT CONTROLLER

Enclosed Relay 5 Amp SPST, Separated Class 2 Magnetic Door Switch Input, 120 Vac Power



Contact Ratings:
 5 Amp Resistive @ 120 Vac
 5 Amp Ballast @ 120 Vac
 5 Amp Tungsten @ 120 Vac

Power Usage:
 21 mA @ 120 Vac Max.



■ SPECIFICATIONS

- # Relays & Contact Type: One (1) SPST Continuous Duty Coil
- Expected Relay Life: 10 million cycles minimum mechanical
- Operating Temperature: -30 to 140° F
- Dimensions: 2.90" x 1.50" x 1.05" with Retaining Clip for 1/2" Knockout
- Wires: 16", 600V Rated (120 Vac Connections)
6' Leads on Magnetic Door Switch
- Approvals: UL Listed, UL916, C-UL, CE
- Housing Rating: Plenum, NEMA 1
- Gold Flash: No
- Override Switch: No

NOTES