



*You in Control*

# RIC SERIES MULTI-VOLTAGE RELAY MODULES

## **PRODUCT DESCRIPTION**

The RIC-1 and RIC-2 Series Relays are multi-voltage devices providing form “C” contacts rated for up to 10 amps. The relays may be energized by one of three input voltages: 24VDC, 24VAC, or 115VAC. Each relay contains a red LED which indicates when the relay coil is energized. To mount the RIC-1 and RIC-2 place the spud through a 1/2 in. (12.7mm) knockout on a junction box. The relays are also packaged with wire-nuts to aid installation.

The RIC-1 and RIC-2 Relays are ideal for applications where remote relays are required for control or status feedback. They are suitable for use with HVAC, Temperature Control, Fire Alarm, Security, Energy Management and Lighting Control Systems.

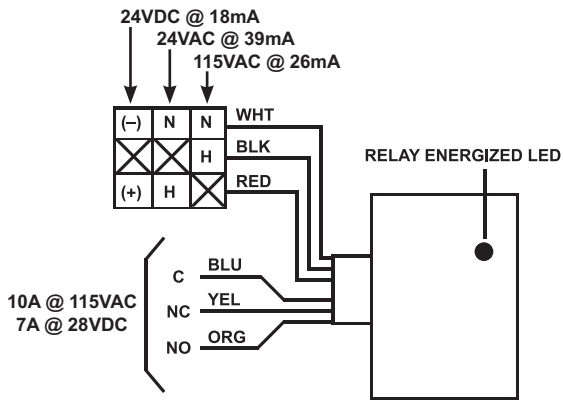


RIC-1

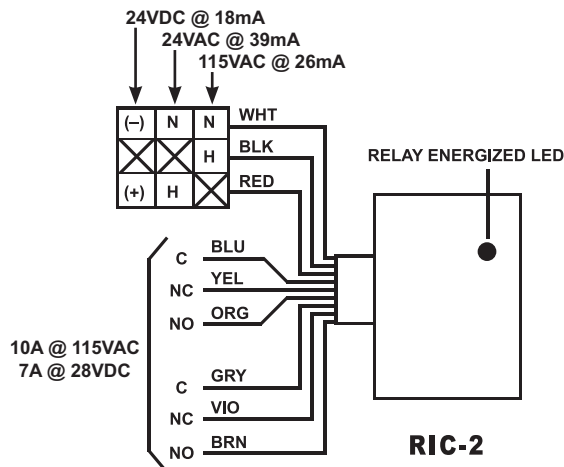


RIC-2

## **WIRING**



RIC-1



RIC-2



**CSFM LISTED**

**MEA ACCEPTED**

*Air Products and Controls Inc.*  
1749 E. Highwood  
Pontiac, MI 48340  
(248) 332-3900 Phone  
(888) 332-2241 Toll free  
(248) 332-8807 Fax  
[www.ap-c.com](http://www.ap-c.com)

**HALMA  
GROUP  
COMPANY**

*Distributed By:*



## PRODUCT SPECIFICATIONS

MODEL NUMBER:	RIC-1	RIC-2
POWER REQUIREMENTS:	24VAC/24VDC/115VAC	24VAC/24VDC/115VAC
POLARIZED:	No	No
ENERGIZED LED INDICATOR:	Yes	Yes
COIL REQUIREMENTS:		
@24VDC	18mA	18mA
@24VAC	39mA	39mA
@115VAC	26mA	26mA
CONTACT CONFIGURATION:	(1) SPDT dry form "C"	(1) DPDT dry form "C"
CONTACT RATINGS:		
@28VDC	7A resistive	7A resistive
@115VAC	10A resistive / 0.35PF inductive	10A resistive / 0.35PF inductive
WIRE LEADS:	6 "flying" leads 12" / 18 AWG Wire-nuts provided	9 "flying" leads 12" / 18 AWG Wire-nuts provided
AMBIENT TEMPERATURE:	32°F to 120°F	32°F to 120°F
@ 85% RH, NON-condensing	(0°C to 49°C)	(0°C to 49°C)
MOUNTING:	Spud mounting through 1/2" conduit knockout	
DIMENSIONS:		
H	2.50" (63mm)	2.50" (63mm)
W	1.75" (44mm)	1.75" (44mm)
D	1.30" (33mm)	1.30" (33mm)
LISTINGS AND APPROVALS:		
UL*	UOXX/7.S3403	UOXX/7.S3403
MEA	73-92-E Vol. 23	73-92-E Vol. 23
CSFM	7300-1004:101	7300-1004:101

\*UOXX=Control Unit Accessories, System; /7=also Certified for Canada

**NOTICE:** The information contained in this document is intended only as a summary and is subject to change without notice. The products described have specific instructional/installation documentation, which covers various technical, approval, code, limitation and liability information. Copies of this documentation along with any general product warning and limitation documents, which also contain important information, are provided with the product and are also available from Air Products and Controls Inc. The information contained in all of these documents should be considered before specifying or using the products. Any example applications shown are subject to the most current enforced local/national codes, standards, approvals, certifications, and/or the authority having jurisdiction. All of these resources, as well as the specific manufacturer of any shown or mentioned related equipment, should be consulted prior to any implementation. For further information or assistance concerning the products, contact Air Products and Controls Inc. Air Products and Controls Inc. reserves the right to change any and all documentation without notice.