



Overview

Control Panel (CP) is a UL Listed enclosure suitable for various control components. CP incorporates the same steel construction and powder coat finish standard on Relay Panel (RP) enclosures. CP also includes a monolithic back plate which is finished in white for increased interior visibility and removable for component as well as enclosure mounting.

Control Panel 17 (CP17) features a hinged reversible door, locking latch, and transparent document pocket. CP17 is available for surface and recess mounting applications.

Features

- 213 sq inches of component mounting surface
- Powder coated steel construction
- Lockable and reversible door
- Surface and recess mounting options

General Specifications

Construction: 16ga steel

Finish:

- Enclosure: Black powder coat
- Back Plate: White powder coat

Dimensions:

- Enclosure: 16.20"(411mm)H x 18.00"(457mm)W x 5.75"(146mm)D
- Back Plate (Mounting Surface): 14.17" (360mm)H x 15.00"(381mm)W
- Interior Depth: 5.00"(127mm)D
- Door Surface Mount: 16.45"(418mm)H x 18.08"(459mm)W
- Door Recessed (Flush): 17.70"(450mm)H x 19.58"(497mm)W
- Recessed door incorporates 0.75"(20mm) flange around the enclosure's perimeter

Weight: 19lbs(9kg)

Mounting: Surface or recess mounted

Operating Environment: Type 1 (dry / indoor environment)

Certifications

UL Listed, UL508A, US/Canada

Warranty

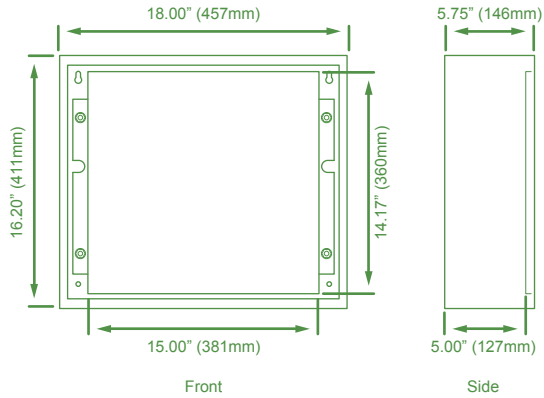
Two (2) year limited manufacturer warranty from date of shipment (extended warranty optional)

Control Panel 17

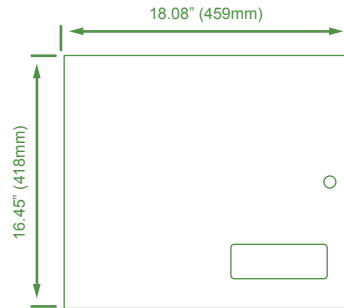
www.BRTint.com : 800-241-9173 Blue Ridge Technologies® © 2014 Blue Ridge Technologies International, LLC All Rights Reserved. CP17-DS-V14.05

Data Sheet : Catalog Page 91

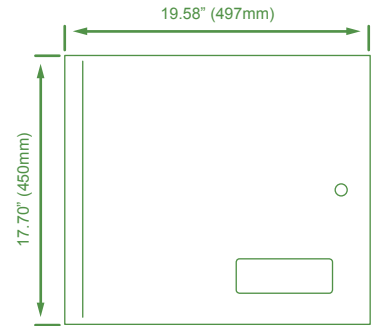
Enclosure / Backplate Dimensions



Surface Mount Door Dimensions



Recessed Mount Door Dimensions



Ordering Information

Part Number	Description
CP17-S	Control Panel 17" Surface Mount
CP17-F	Control Panel 17" Recessed (Flush) Mount