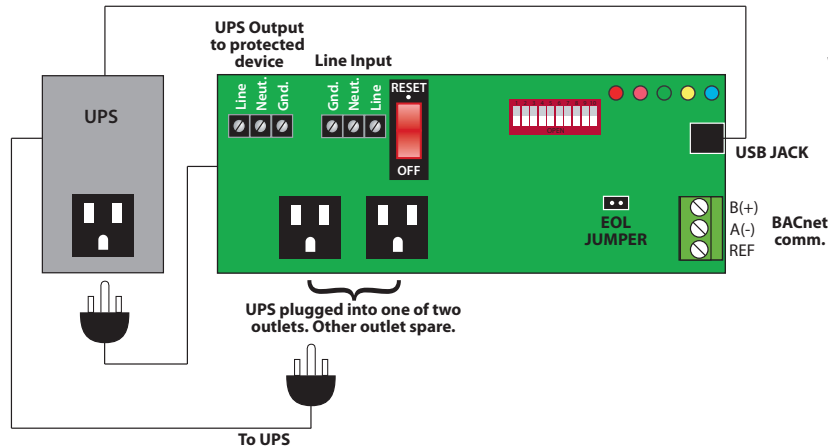


UNINTERRUPTIBLE POWER SUPPLY KIT - BACNET® COMPATIBLE

PSH550-UPS-BC

Enclosed BACnet Network 550 VA UPS Backup Power Control Center.



Shown Without Cover



Shown With Cover



Made in USA Meets "Buy American" of ARRA 2009

SPECIFICATIONS - BOARD AND ENCLOSURE

Operating Temperature: -30 to 140° F
Humidity Range: 5 to 95% (noncondensing)
Indicators: Device Power: Red LED
 Device Status: Pink LED
 Network Communication: Green LED
 Backup Power: Yellow LED
 USB Status: Blue LED

Main Breaker ON/OFF: Switch / Breaker (10 Amp)
Dimensions: 12 x 16" x 6"
Track Mount: 2.750" x 8.000"
 MT212-8N Mounting Track Included
Approvals: UL Listed, UL916, C-UL, CE, RoHS
Line Input: 120Vac, 10A(max)
Convenience Receptacles: 120Vac, 10A(max combined)

Power Input Rating: 25mA @ 120Vac
Network Media: Twisted Pair 22-24 AWG, shielded recommended (MS/TP)
 USB A/B (device to UPS, included)
Terminations: Functional Devices product installed at both ends of the MS/TP network - Use 120 Ohm End of Line Resistors. All other cases follow instructions from the device installed at the end of the MS/TP network.
Polarity: Network is polarity sensitive.
Baud Rate: 9600, 19200, 38400, 76800, 115200 (DIP Switch Selectable)

DIP SWITCHES*			BAUD RATE
8	9	10	
0	0	0	9600
0	0	1	19200
0	1	0	38400
0	1	1	57600
1	0	0	76800
1	0	1	115200

All other combinations=9600 baud

Notes:
 • Circuit breaker for short-circuit protection.
 • 14/3 Line Cord included (3').

BACnet® Details:
 • MS/TP Address & Baud Rate must be set prior to power up via DIP switches.
 • Device ID will default to 277XXX where XXX is the MS/TP Address.

MS/TP Address - 004
Device ID - 277004
MS/TP Address - 121
Device ID - 277121

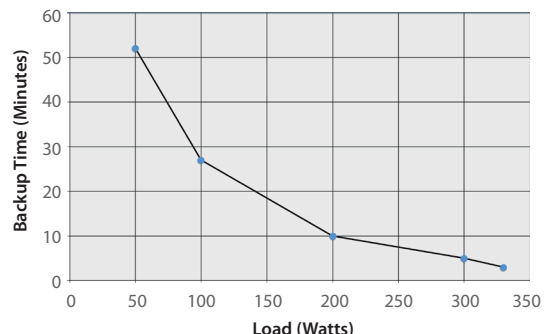
Examples:
 • Device ID can be changed via network command. Once changed, it will no longer default to 277XXX. (MS/TP Address & Device ID must be unique.)
 • Devices Instance changed via Object Identifier Property of Device Object.
 • Status of UPS connection, Battery run time, line power, UPS load (VA and %), and battery capacity can be read from BACnet network.

UPS:

UPS: 550VA
Backup Time: 3 Min. @ Full 550 VA Load
 15 Min. @ 1/2 Load
Input: 120 Vac, 12 Amp
Output: 120 Vac, 4.6 Amp
Max Load: 330 Watt
Frequency: 50/60 Hz
Temperature Rating of UPS: 32 to 104° F
UPS Transfer Time: 6ms
Approvals: UL Listed, UL1778
Kit Weight: 25.22 lbs

Notes:
 • Average battery life: 3-5 years depending on the number of discharge cycles and environmental temperature
 • This model is designed to work exclusively with Functional Devices Model UPS550

ESTIMATED BACKUP TIME VS. LOAD



POWER CONTROL