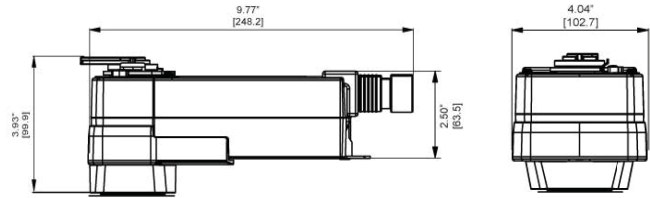




Dimensions



Models

- AFRBUP
- AFRBUP-S
- AFRXUP
- AFRXUP-S

Technical Data	
Power supply	24 to 240 VAC -20% / +10%, 50/60 Hz 24 to 125 VDC \pm 10%
Power consumption	running 7 W
	holding 3.5 W
Transformer sizing	7 VA @ 24 VAC (class 2 power source) 8.5 VA @ 120 VAC 18 VA @ 240 VAC
Electrical connection	AFRBUP...
	AFRXUP...
Overload protection	electronic throughout 0 to 95° rotation
Control	on/off
Direction of rotation	spring reversible with CW/CCW mounting
Angle of rotation	95° (adjustable with mechanical end stop, 35° to 95°)
Running time	motor < 75 seconds
	spring 20 seconds @ -4°F to 122°F [-20°C to 50°C]; < 60 seconds @ -22°F [-30°C]
Position indication	visual indicator, 0° to 95° (0° is full spring return position)
Manual override	5 mm hex crank (3/16" Allen), supplied
Ambient temperature	-22°F to 122°F [-30°C to 50°C]
Storage temperature	-40°F to 176°F [-40°C to 80°C]
Housing	NEMA 2/IP54, Enclosure Type2
Agency listings †	cULus according to UL60730-1A/-2-14, CAN/CSA E60730-1:02, CE according to 2004/108/EC & 2006/95/EC
Noise level	<50dB(A) motor @ 75 seconds <62dB(A) spring return
Quality standard	ISO 9001

† Rated Impulse Voltage 800V, Type of action 1.AA (1.AA.B for -S version), Control Pollution Degree 3.

AFRBUP-S, AFRXUP-S	
Auxiliary switches	2 x SPDT 3A (0.5A) @ 250 VAC, UL approved one set at +10°, one adjustable 10° to 90°

050905 - 05/12 - Subject to change. © Belimo Aircontrols (USA), Inc.

Wiring Diagrams

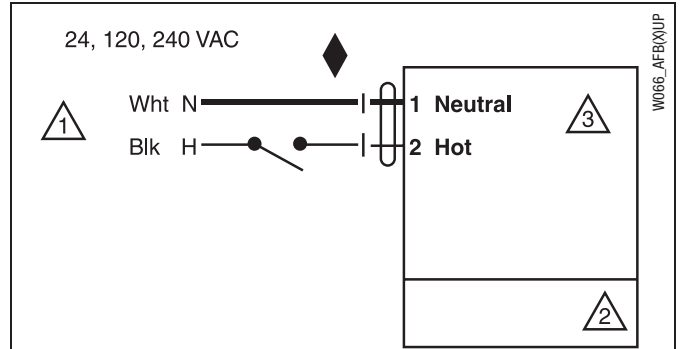
✂️ INSTALLATION NOTES

- 1 Provide overload protection and disconnect as required.
- 2 **CAUTION Equipment Damage!**
Actuators may be connected in parallel.
Power consumption and input impedance must be observed.
- 3 No ground connection is required.
- 4 For end position indication, interlock control, fan startup, etc.,
AFRBUP-S and AFRXUP-S incorporates two built-in auxiliary switches:
2 x SPDT, 3A (0.5A) @250 VAC, UL Approved, one switch is fixed at +10°, one is adjustable 10° to 90°.

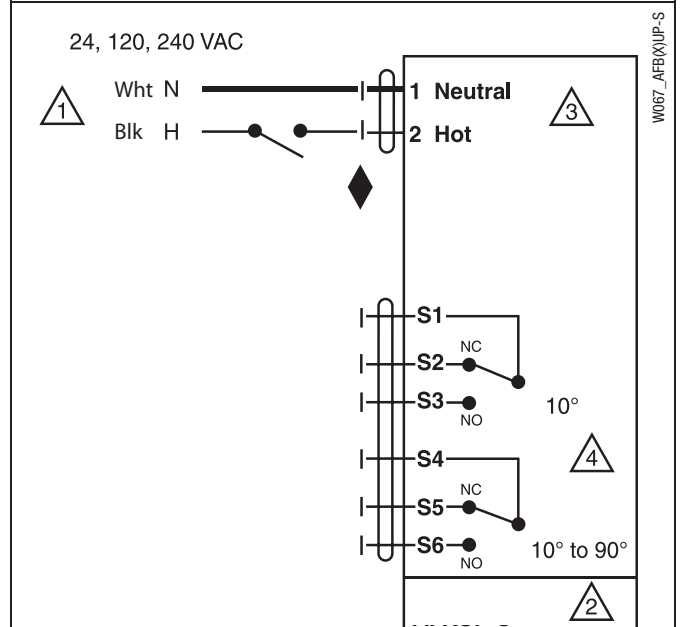
📄 APPLICATION NOTES

- ◆ Meets cULus requirements without the need of an electrical ground connection.

⚠️ WARNING Live Electrical Components!
During installation, testing, servicing and troubleshooting of this product, it may be necessary to work with live electrical components. Have a qualified licensed electrician or other individual who has been properly trained in handling live electrical components perform these tasks. Failure to follow all electrical safety precautions when exposed to live electrical components could result in death or serious injury.



On/Off wiring for AFRBUP, AFRXUP



Auxiliary Switches for AFRBUP-S, AFRXUP-S