

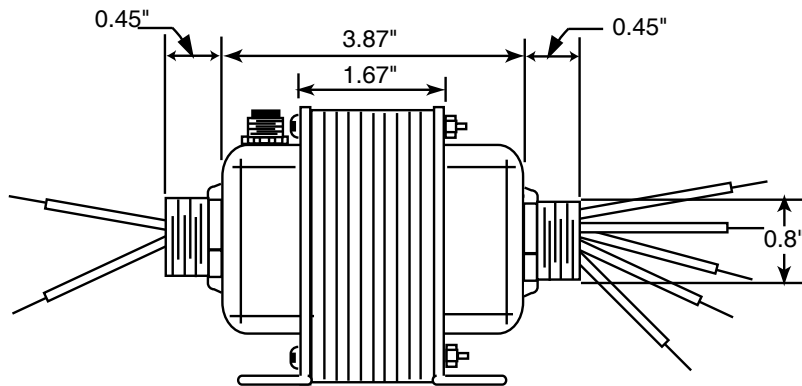
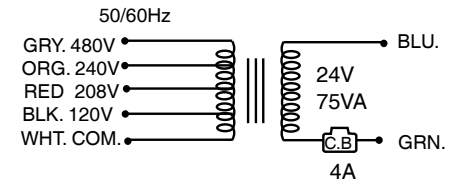
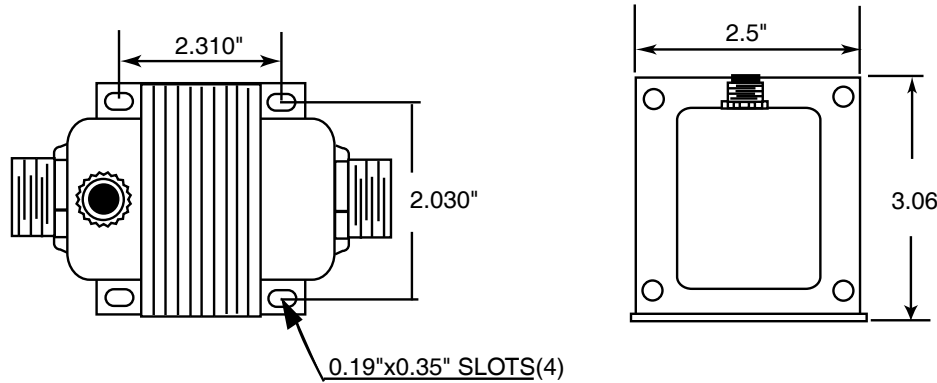
Control Transformer

Specifications subject to change without notice. | USA 061017



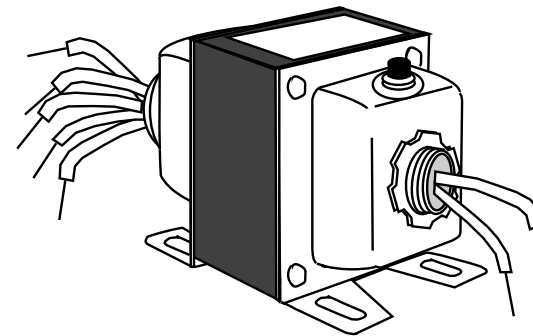
Part Number: **7541CBDH**
 Type: UL1585, Class 2 Transformer
 Approvals/Listings: UL Listed, CSA Certified

Rating: 75 VA
 Voltage: 120/208/240/480 VAC : 24 VAC
 w/manual reset circuit breaker



UL1015#18 LENGTH 8" IN COLOR
 "BLUE" & "GREEN"

UL1015#18 LENGTH 8" IN COLOR
 "WHITE", "BLACK", "RED", "ORANGE" & "GRAY"



UNIT: inch ±0.04



12700 Stowe Drive, Suite 100, Poway, CA 92064 | Ph: (858) 578.7887 & (888) GO.INTEC | relevantsolutions.com/intecontrols