

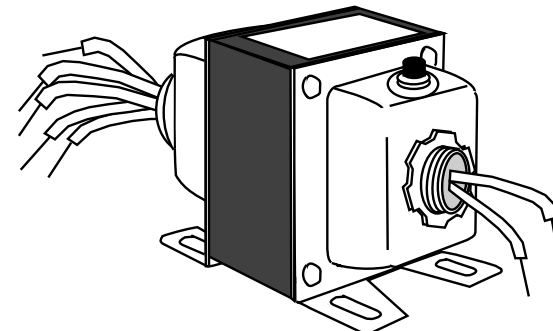
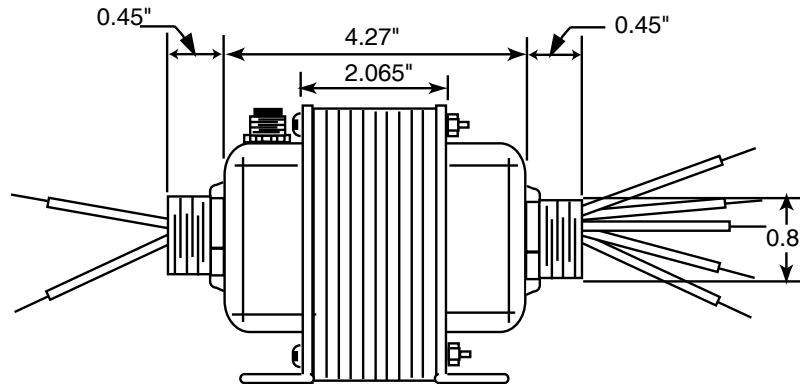
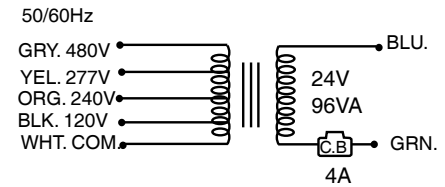
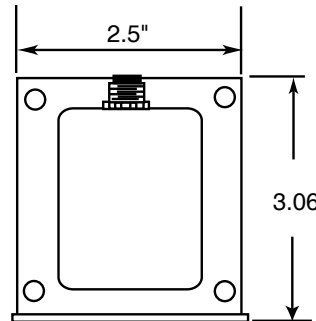
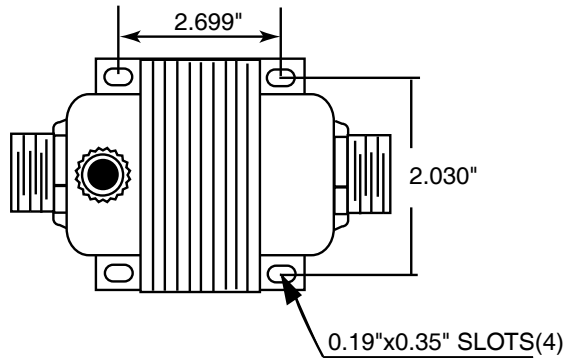
Control Transformer

Specifications subject to change without notice. | USA 061017



Part Number: **10041DHCB**
 Type: UL1585, Class 2 Transformer
 Approvals/Listings: UL Listed, CSA Certified

Rating: 96 VA
 Voltage: 120/240/277/480 VAC : 24 VAC
 w/manual reset circuit breaker



UL1015#18 LENGTH 8" IN COLOR
 "BLUE" & "GREEN"

UL1015#18 LENGTH 8" IN COLOR
 "WHITE", "BLACK", "ORANGE", "YELLOW" & "GRAY"

UNIT: inch ±0.04

