

Control Transformer

Specifications subject to change without notice. | USA 061017

INTEC
CONTROLS

Part Number: **15011CBMW**

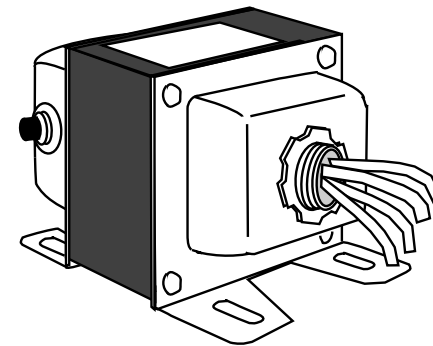
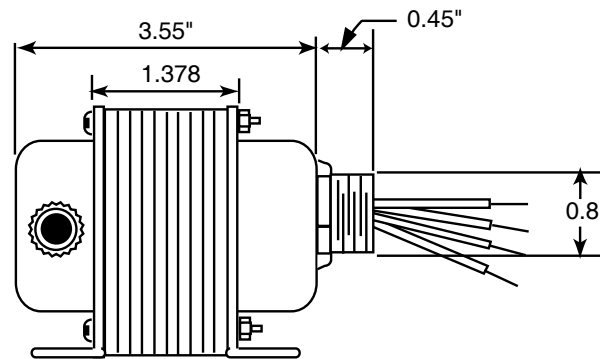
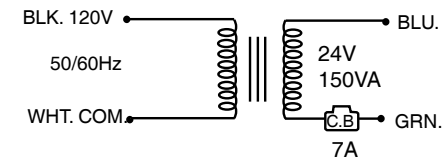
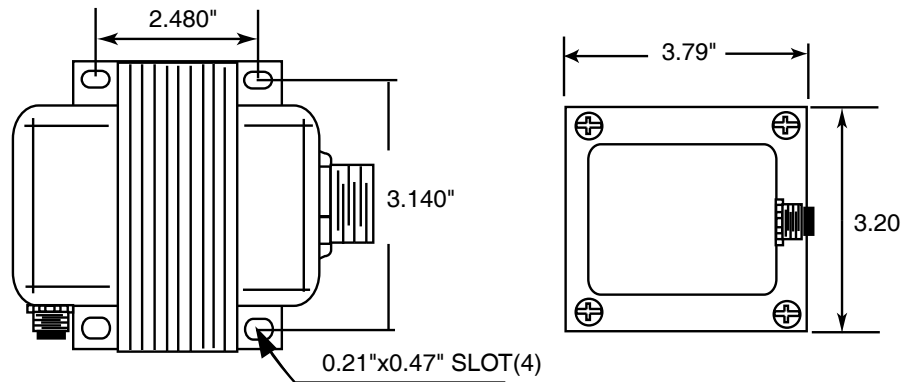
Type: UL506, General Purpose Transformer

Approvals/Listings: UL Listed, CSA Certified

Rating: 150 VA

Voltage: 120 VAC : 24 VAC

w/manual reset circuit breaker



UNIT: inch ± 0.04



12700 Stowe Drive, Suite 100, Poway, CA 92064 | Ph: (858) 578.7887 & (888) GO.INTEC | relevantsolutions.com/intecontrols