

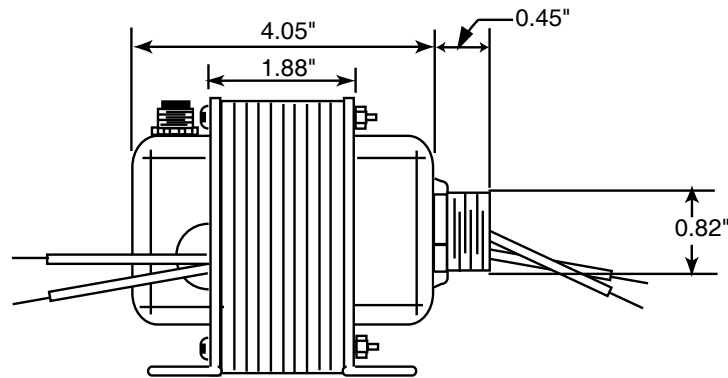
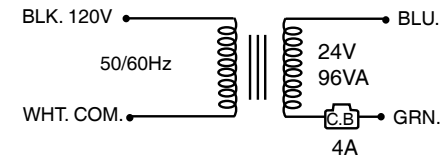
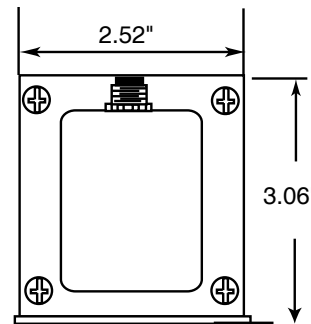
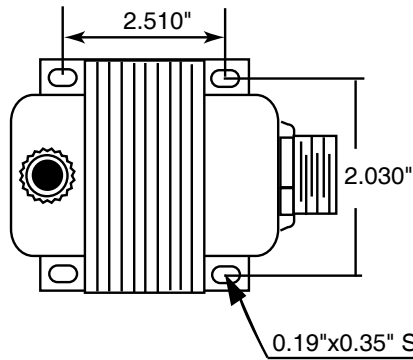
# Control Transformer

Specifications subject to change without notice. | USA 061017

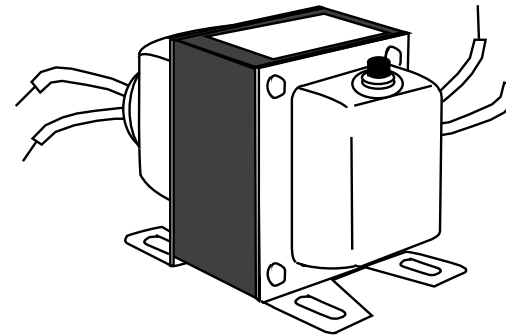


Part Number: **10011MWCB**  
Type: UL1585, Class 2 Transformer  
Approvals/Listings: UL Listed, CSA Certified

Rating: 96 VA  
Voltage: 120 VAC : 24 VAC  
w/manual reset circuit breaker



UL1015#18 LENGTH 8" IN COLOR  
"WHITE", "BLACK", "BLUE" & "GREEN"



UNIT: inch ±0.04

