

Control Transformer

Specifications subject to change without notice. | USA 061017



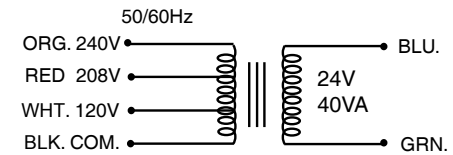
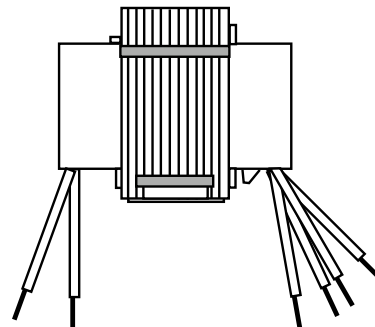
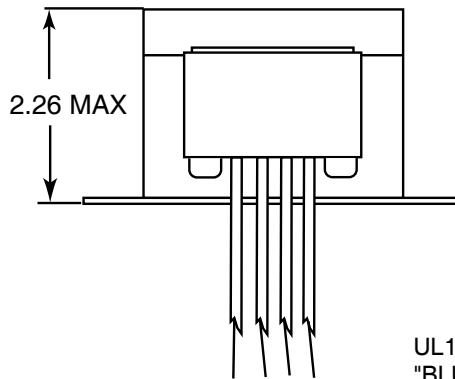
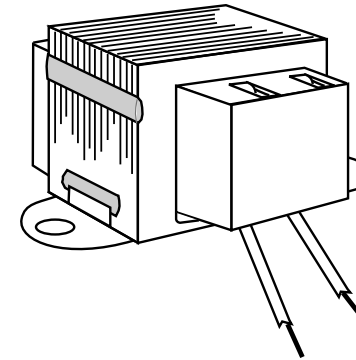
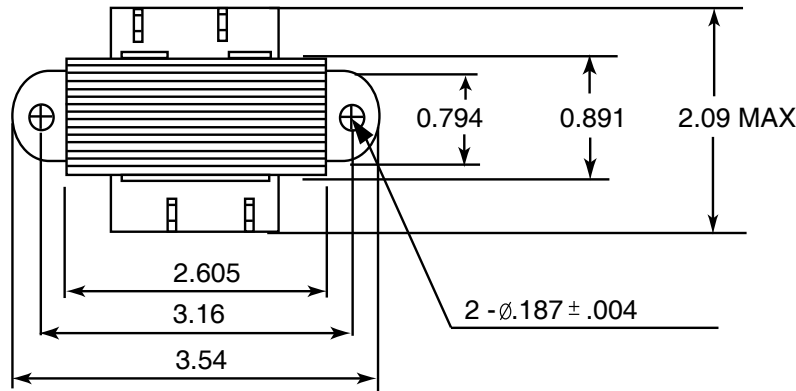
Part Number: **403110F-13**

Type: UL1585, Class 2 Transformer

Rating: 40 VA

Approvals/Listings: UL Recognized, CSA Certified

Voltage: 120/208/240 VAC : 24 VAC



UL1015#18 LENGTH 8" IN COLOR
"BLUE" & "GREEN"

UL1015#18 LENGTH 8" IN COLOR
"WHITE", "BLACK", "RED", & "ORANGE"

UNIT: inch ±0.04

