

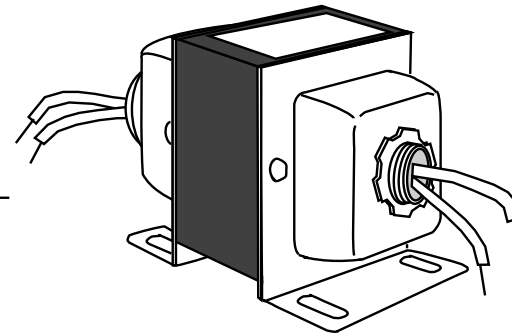
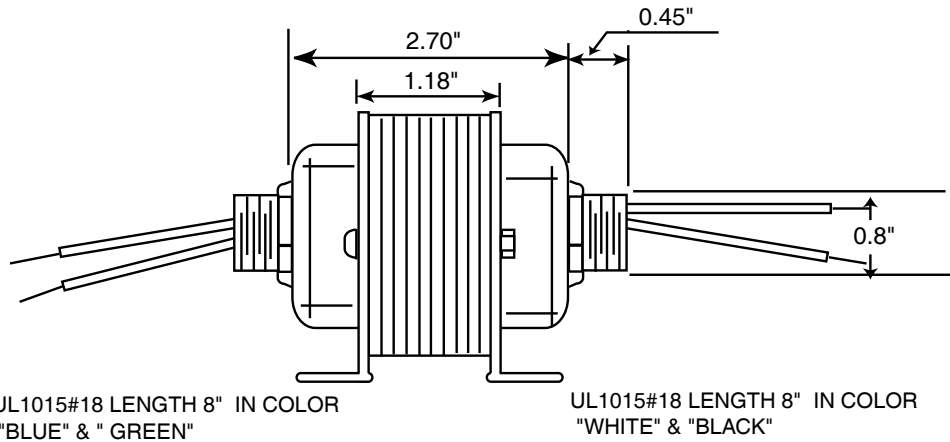
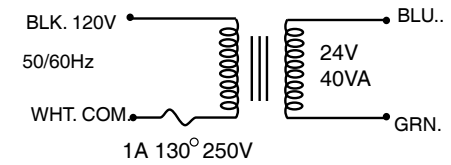
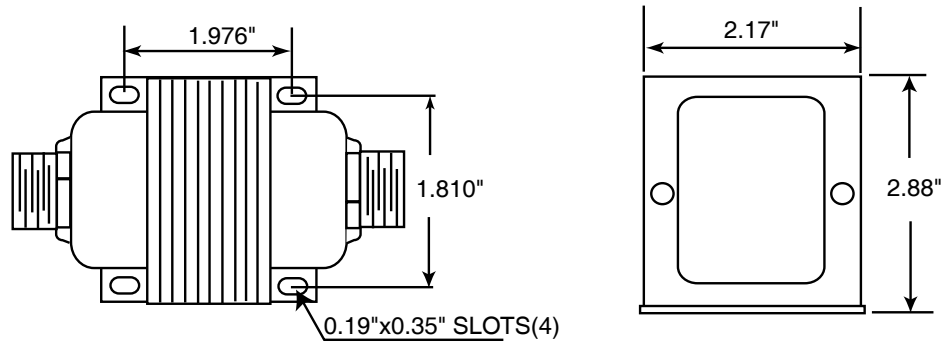
Control Transformer

Specifications subject to change without notice. | USA 061017



Part Number: **4011MWDH**
Type: UL1585, Class 2 Transformer
Approvals/Listings: UL Listed, CSA Certified

Rating: 40 VA
Voltage: 120 VAC : 24 VAC



UNIT: inch ±0.04

