

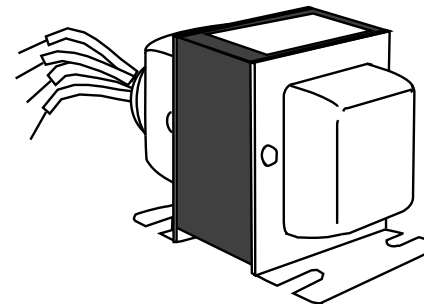
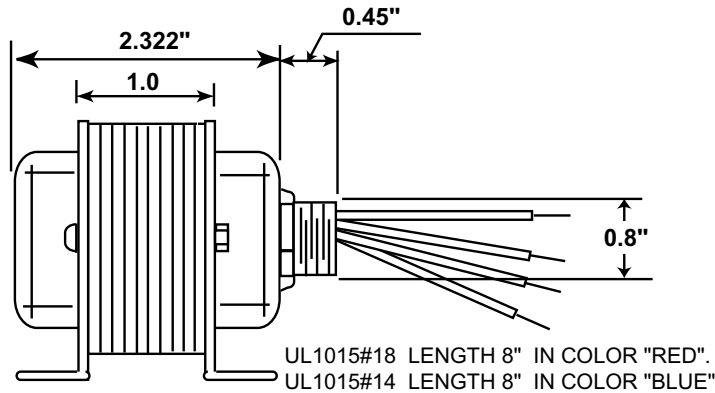
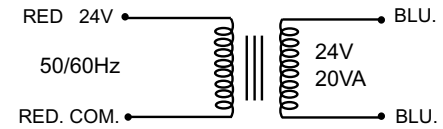
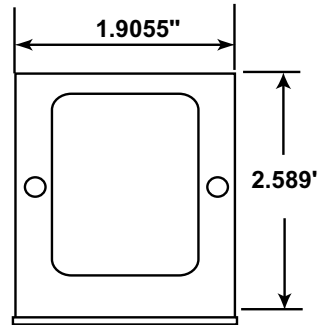
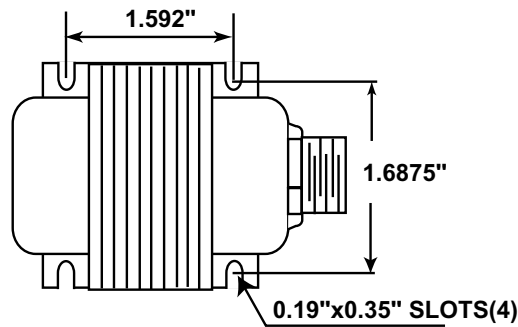
# Isolation Transformer

Specifications subject to change without notice. | USA 061017



Part Number: **2024MWSH**  
Type: UL506, General Purpose Transformer  
Approvals/Listings: UL Listed, CSA Certified

Rating: 20 VA  
Voltage: 24 VAC : 24 VAC



UNIT: inch  $\pm$  0.04

