

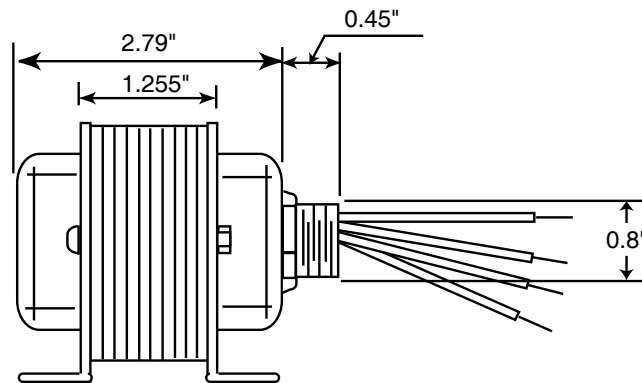
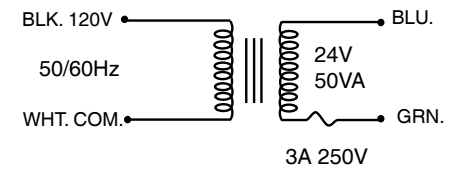
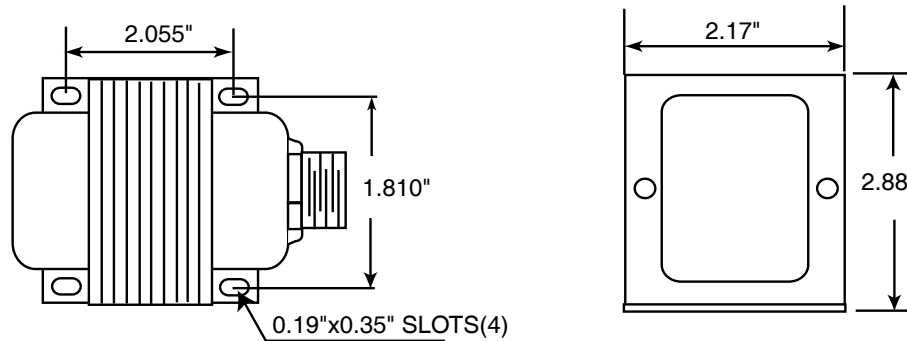
Control Transformer

Specifications subject to change without notice. | USA 061017

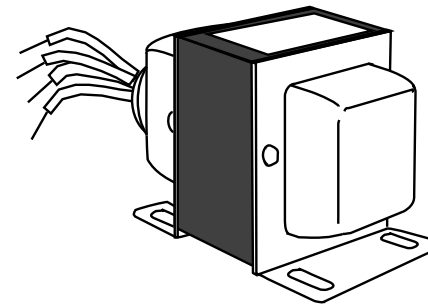


Part Number: **5011MWSH**
Type: UL1585, Class 2 Transformer
Approvals/Listings: UL Listed, CSA Certified

Rating: 50 VA
Voltage: 120 VAC : 24 VAC



UL1015#18 LENGTH 8" IN COLOR
"WHITE", "BLACK", "BLUE" & "GREEN"



UNIT: inch ± 0.04



12700 Stowe Drive, Suite 100, Poway, CA 92064 | Ph: (858) 578.7887 & (888) GO.INTEC | relevantsolutions.com/intecontrols