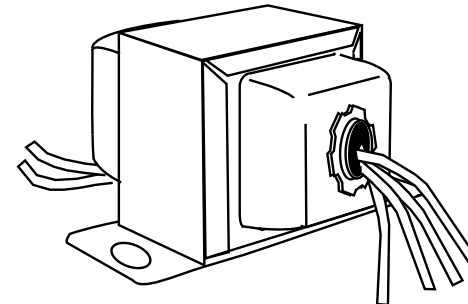
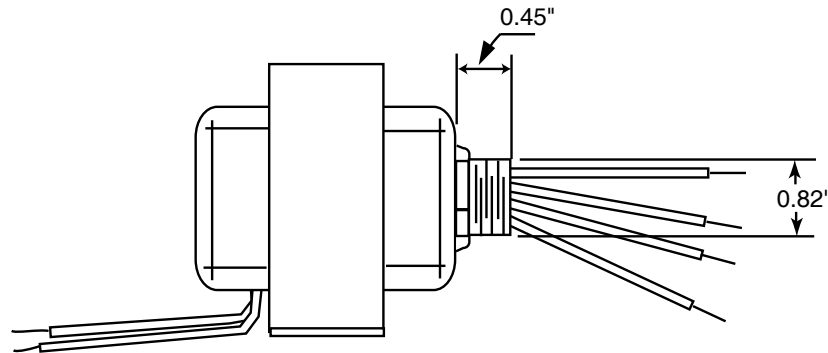
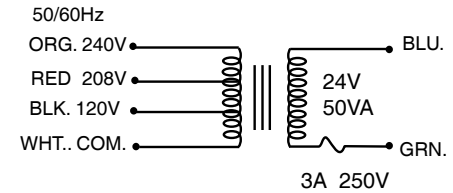
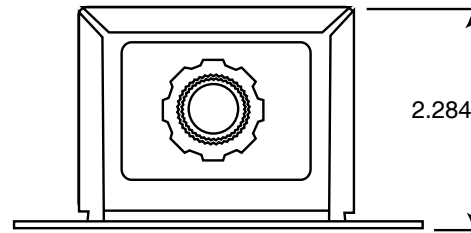
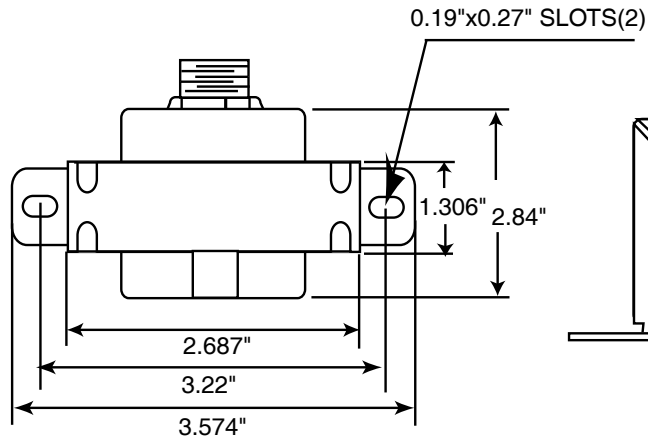


Control Transformer

Specifications subject to change without notice. | USA 061017



Part Number: **5031MW**
 Type: UL1585, Class 2 Transformer Rating: 50 VA
 Approvals/Listings: UL Listed, CSA Certified Voltage: 120/208/240 VAC : 24 VAC



UL1015#18 LENGTH 8" IN COLOR
 "BLUE" & "GREEN"

UL1015#18 LENGTH 8" IN COLOR
 "WHITE", "BLACK", "RED" & "ORANGE"

UNIT: inch ±0.04

