

TSPC24PS-EIO

Room Temperature Sensor
with Setpoint Control



Description

The TSPC24PS temperature sensor with resistive setpoint control comes in an attractive wall mount enclosure and can be configured with various options. It is provided with a curve-matched thermistor to measure temperature.

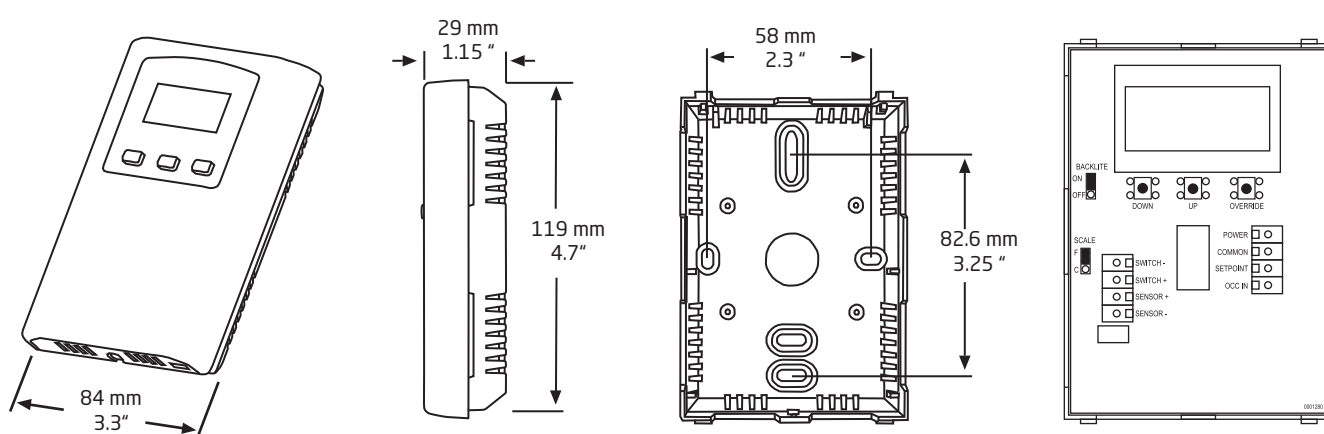
A back-lit LCD displays room temperature, setpoint on demand and occupancy. Several operating parameters can be programmed using a keypad and on-board jumpers configure the °C/F display or disable the backlight.

Features

- ❖ Precision thermistor temperature sensor
- ❖ Large LCD display with backlight
- ❖ Two button, Up/Down setpoint adjustment
- ❖ Momentary override switch with LCD indication
- ❖ Easy to field program
- ❖ Low profile, attractive enclosure
- ❖ Backplate can adapt to several electrical boxes styles or mount directly on the wall

Technical Specifications

Power Supply	24 VAC/VDC, $\pm 10\%$, non-isolated half-wave rectified
Power Consumption	20 mA max.
Sensor	10,000 Ω NTC Thermistor, Type 2
Sensor Accuracy	$\pm 0.2^\circ\text{C}$, $0..+70^\circ\text{C}$ ($\pm 0.36^\circ\text{F}$, $+32..+158^\circ\text{F}$)
Setpoint Range	$+16..+26^\circ\text{C}$ in 0.5°C Increments ($+60..+80^\circ\text{F}$ in 1°F increments)
Setpoint Signal	Resistance, $0..10,000 \Omega$, 2 wire
Setpoint Midpoint	Programmable, $+20..+23^\circ\text{C}$ or $+68..73^\circ\text{F}$
Setpoint Action	Programmable, direct or reverse acting
Override Switch	Momentary pushbutton, N.O., SPST, 50 mA @ 12 Vdc
Occupied Input	Digital input, 0/5 vdc standard, active low causes "OCC" segment to light on LCD
LCD Range	$0..+35^\circ\text{C}$ or $+32..+95^\circ\text{F}$, jumper selectable
LCD Resolution	$0.1^\circ\text{C}/\text{F}$
LCD Size	1.5 in W x 0.65" in H (38.1 mm x 16.5 mm)
LCD Symbols	$^\circ\text{C}$, $^\circ\text{F}$, OCC
LCD Backlight	Enable/disable via jumper
Operating Temp	$0..+50^\circ\text{C}$,
Storage Temp	$-20..+65^\circ\text{C}$
Operating Humidity	$0..95\%$ RH non-non-condensing
Enclosure	White ABS, IP30 (NEMA1)
Mounting	Electrical Box or direct to wall
Terminals	Screw terminal block, 14 to 22 AWG
Dimensions	4.7 in x 3.3 in x 1.15 in (119 mm x 84 mm x 48.8 mm)



EasyIO Holdings Pte Ltd
www.EasyIO.com



All specifications subject to change without notice or liability to provide changes to prior purchasers. Information and specifications published here are current as of the date of publication of this document. EasyIO Holdings, reserves the right to change or modify specifications without prior notice. The latest product specifications can be found by contacting our corporate headquarters, Singapore. Products or features contained herein may be covered by one or more U.S. or foreign patents. All brands and product names are trademarks or registered trademarks of their respective owners. Copyright © 2014 all rights reserved, EasyIO Holdings.