

## Small utility enclosures

The 1100 are used where the control installation does not demand a high degree of protection (such as watertight or dust tight), but where a quality enclosure is warranted. Boxes and covers are made from quality code gauge steel. The enclosures feature die cast hinges, which are bound to the cover by an exclusive concealed hinge pin system. The cover can be removed by

unfastening the anti-vibration lock nuts. Enclosures are closed with a ¼ turn lock that ensures tight positive closing against cushions. Four internal mounting holes are provided. Optional external mounting is available (885 ESCHMF).

**Each enclosure comes complete with a 14 GA inner panel that mounts on weld nuts.**

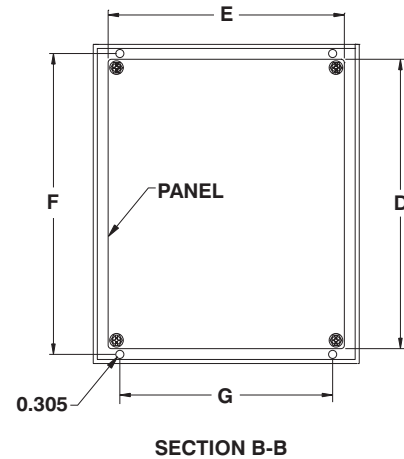
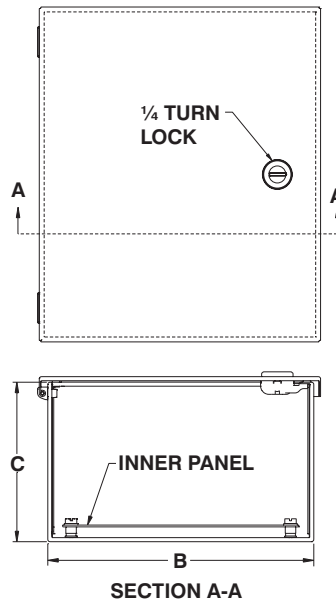
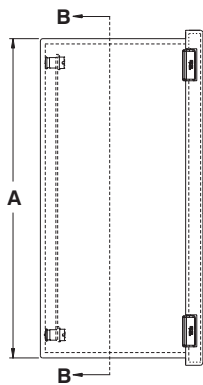
Enclosures and panels are finished

with heat fused powder paint, electrostatically applied on a pretreated base.

The box is ANSI/ASA 61 textured gray, the panel is white (other colors available).

**CSA Certified / UL Listed  
NEMA/EEMAC 1 / IP30**

**Refer to p.727 to validate choice of substrate for the application**



CATALOG NUMBER	DIMENSIONS							SHIP WGT LBS.
	A	B	C	D	E	F	G	
1100 060604	6	6	4	4.88	4.88	5.312	4	4
1100 080604	8	6	4	6.88	4.88	7.312	4	4
1100 080804	8	8	4	6.88	6.88	7.312	4	4
1100 100804	10	8	4	8.88	6.88	9.312	6	7
1100 101004	10	10	4	8.88	8.88	9.312	8	8
1100 121004	12	10	4	10.88	8.88	11.31	8	9
1100 121204	12	12	4	10.88	10.88	11.31	10	11
1100 141204	14	12	4	12.88	10.88	13.31	10	12
1100 080606	8	6	6	6.88	4.88	7.312	4	5
1100 080806	8	8	6	6.88	6.88	7.312	6	7
1100 100806	10	8	6	8.88	6.88	9.312	6	8
1100 101006	10	10	6	8.88	8.88	9.312	8	9
1100 121006	12	10	6	10.88	8.88	11.31	8	11
1100 121206	12	12	6	10.88	10.88	11.31	10	12
1100 141206	14	12	6	12.88	10.88	13.31	10	14
1100 161206	16	12	6	14.88	10.88	15.31	10	16
1100 121208	12	12	8	10.88	10.88	11.31	10	14
1100 141208	14	12	8	12.88	10.88	13.31	10	16
1100 161208	16	12	8	14.88	10.88	15.31	10	17

Data subject to change without notice.



## Medium utility enclosures

The 1100 are used where the control installation does not demand a high degree of protection (such as watertight or dust tight), but where a quality enclosure is warranted. Boxes and covers are made from quality 16 GA or 14 GA steel. The enclosures feature die cast hinges, which are bound to the cover by an exclusive one piece concealed hinge.

The cover can be removed by unfastening the anti-vibration lock

screws. Enclosures are closed with a ¼ turn lock that ensures tight positive closing against cushions. Four internal mounting holes are provided. Optional external mounting is available (885 ESMF).

**Optional inner panels are available (881SP, 882SP or 881SP..P)** which are mounted on M8 welded studs. The inner panels need to be ordered separately.

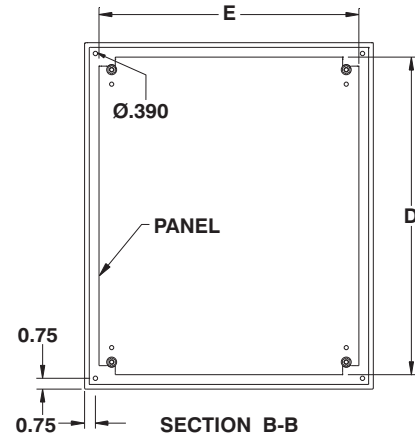
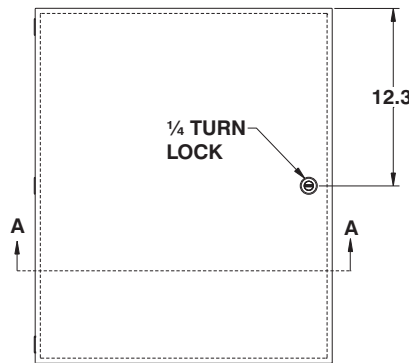
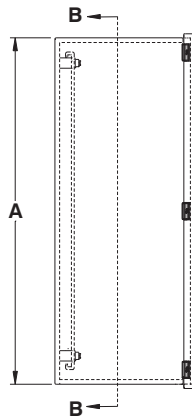
Enclosures and panels are finished with heat fused powder paint, elec-

trostatically applied on a pretreated base.

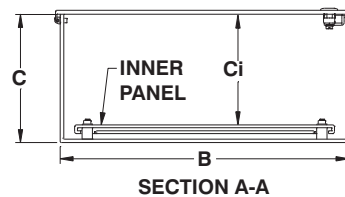
The box is ANSI/ASA 61 textured gray, the panel is white (other colors available).

**CSA Certified / UL Listed  
NEMA/EEMAC 1 / IP30**

**Refer to p.727 to validate choice of substrate for the application**



CATALOG NUMBER	DIMENSIONS						BOX & COVER GAUGE	SHIP WGT LBS.
	A	B	C	C <sub>i</sub>	D	E		
1100 161606	16	16	6.870	6	14	14	16	20
1100 162006	16	20	6.870	6	14	18	16	25
1100 201206	20	12	6.870	6	18	10	16	20
1100 201606	20	16	6.870	6	18	14	16	25
1100 202006	20	20	6.870	6	18	18	16	30
1100 241606	24	16	6.870	6	22	14	16	29
1100 242006	24	20	6.870	6	22	18	16	35
1100 242406	24	24	6.870	6	22	22	14	49
1100 302406	30	24	6.870	6	28	22	14	59
1100 362406	36	24	6.870	6	34	22	14	70
1100 363006	36	30	6.870	6	34	28	14	85
1100 201208	20	12	8.870	8	18	10	16	22
1100 201608	20	16	8.870	8	18	14	16	27
1100 202008	20	20	8.870	8	18	18	16	32
1100 242008	24	20	8.870	8	22	18	16	38
1100 242408	24	24	8.870	8	22	22	14	53
1100 302008	30	20	8.870	8	28	18	14	55
1100 302408	30	24	8.870	8	28	22	14	64
1100 303008	30	30	8.870	8	28	28	14	77
1100 362408	36	24	8.870	8	34	22	14	75
1100 363008	36	30	8.870	8	34	28	14	90
1100 202010	20	20	10.870	10	18	18	16	35
1100 242010	24	20	10.870	10	22	18	16	41
1100 302410	30	24	10.870	10	28	22	14	69
1100 242412	24	24	12.870	12	22	22	14	61
1100 302412	30	24	12.870	12	28	22	14	73
1100 363012	36	30	12.870	12	34	28	14	102



Note : Inner panel is optional

Data subject to change without notice.



p.444

p.443

p.452

p.462

p.468

p.478

p.472

<http://www.exmweb.com>

1-800-363-2423

Fax : 450-979-4626



[info@exmweb.com](mailto:info@exmweb.com)