

# INNER PANELS

## 1100 and 1100 CIP Inner panels

The **882 SP Series** replacement inner panels are designed to fit our 1100, 1100 W and 1100 CIP enclosures. They are also interchangeable with the ES and ESDD family of products. Panels

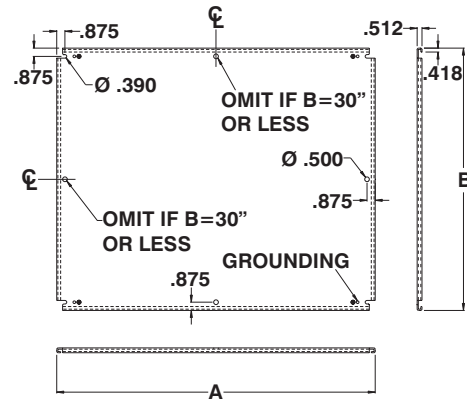
with the A or B dimension equal to 22" or bigger have been double bent for greater rigidity. Made from 14 GA steel and finished with white, heat fused powder paint electrostatically applied on

a pretreated base.

Panels are also available in **galvanized steel or aluminum**. **Contact EXM for details**  
**Refer to p.727 to validate choice of substrate for the application**

CATALOG NUMBER	DIMENSIONS		SHIP WGHT LBS.
	A	B	
882 SP1212	10	10	2
882 SP1612	14	10	3
882 SP1616	14	14	5
882 SP2012	18	10	4
882 SP2016	18	14	6
882 SP2020	18	18	8
882 SP2412	22	10	6
882 SP2416	22	14	8
882 SP2420	22	18	11
882 SP2424	22	22	13
882 SP3012	28	10	8
882 SP3016	28	14	11
882 SP3020	28	18	13
882 SP3024	28	22	16
882 SP3030	28	28	20
882 SP3624	34	22	19
882 SP3630	34	28	24

CATALOG NUMBER	DIMENSIONS		SHIP WGHT LBS.
	A	B	
882 SP3636	34	34	29
882 SP4224	40	22	23
882 SP4230	40	28	28
882 SP4236	40	34	34
882 SP4242	40	40	40
882 SP4824	46	22	26
882 SP4830	46	28	32
882 SP4836	46	34	39
882 SP4842	46	40	46
882 SP4848	46	46	52
882 SP5442	54	42	54
882 SP6024	58	22	32
882 SP6030	58	28	41
882 SP6036	58	34	49
882 SP6042	58	40	57
882 SP7230	70	28	49
882 SP7236	70	34	59



## Perforated Inner panels

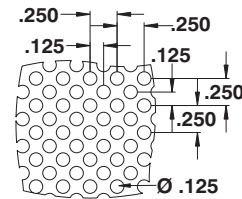
The **881 SP...P Series** perforated inner panels are designed to fit our ES and ESDD family of products and are also compatible with the 1100, 1100 W and 1100 CIP enclosures. Panels with the A or B dimension equal to 22" or

bigger have been double bent for greater rigidity. Made from 16 GA steel and finished with ASA-61 gray, heat fused powder paint electrostatically applied on a pretreated base.

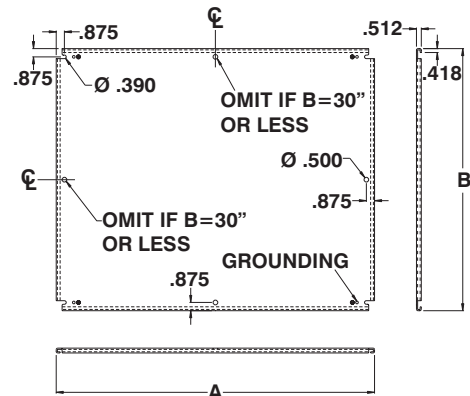
**Refer to p.727 to validate choice of substrate for the application**

CATALOG NUMBER	DIMENSIONS		SHIP WGHT LBS.
	A	B	
881 SP1212P	10	10	2
881 SP1612P	14	10	2
881 SP1616P	14	14	3
881 SP2012P	18	10	3
881 SP2016P	18	14	4
881 SP2020P	18	18	5
881 SP2412P	22	10	4
881 SP2416P	22	14	6
881 SP2420P	22	18	7
881 SP2424P	22	22	9
881 SP3012P	28	10	5
881 SP3016P	28	14	7
881 SP3020P	28	18	9
881 SP3024P	28	22	11
881 SP3030P	28	28	14
881 SP3624P	34	22	13
881 SP3630P	34	28	16

CATALOG NUMBER	DIMENSIONS		SHIP WGHT LBS.
	A	B	
881 SP3636P	34	34	20
881 SP4224P	40	22	15
881 SP4230P	40	28	19
881 SP4236P	40	34	23
881 SP4242P	40	40	27
881 SP4824P	46	22	17
881 SP4830P	46	28	22
881 SP4836P	46	34	26
881 SP4842P	46	40	31
881 SP4848P	46	46	35
881 SP5442P	52	40	36
881 SP6024P	58	22	22
881 SP6030P	58	28	27
881 SP6036P	58	34	33
881 SP6042P	58	40	38
881 SP7230P	70	28	33
881 SP7236P	70	34	40



Perforation pattern.



Note : For custom sizes and colors, please contact EXM.

To order inner panels with specific material, add appropriate suffix to the catalog number.

\* For Aluminum :

Add suffix 'AL' to the catalog number (ie. 881 SP4230PAL).

\* For Galvanized Steel :

Add suffix 'G' to the catalog number (ie. 881 SP4230PG).

\* For Stainless Steel:

Add suffix "S" to the catalog number (ie. 880 SP4230PS)

Data subject to change without notice.