

AA47



AA47

Line Switching Power Pack

Installer's Specifications

Storage Temperature	-29° to 65°C (-20° to 150°F)
Operating Temperature	0° to 40°C (32° to 104°F)
Maximum Humidity	90% RH non-condensing
AC Power Input	120/277 VAC ± 10%, 60 Hz
Output Voltage	24 VDC
Output Current	100 mA max.

Relay Contacts:

Horsepower Rating	1 HP@120V
Switching Capacity	120 VAC, 60 Hz; 15 A tungsten 1800 W 277 VAC, 60 Hz 20 A Ballast



DANGER

HAZARD OF ELECTRIC SHOCK, EXPLOSION, OR ARC FLASH

- Follow safe electrical work practices. See NFPA 70E in the USA, or applicable local codes.
 - This equipment must only be installed and serviced by qualified electrical personnel.
 - Read, understand and follow the instructions before installing this product.
 - Turn off all power supplying equipment before working on or inside the equipment.
 - Use a properly rated voltage sensing device to confirm power is off.
- DO NOT DEPEND ON THIS PRODUCT FOR VOLTAGE INDICATION**

Failure to follow these instructions will result in death or serious injury.

INSTALLATION

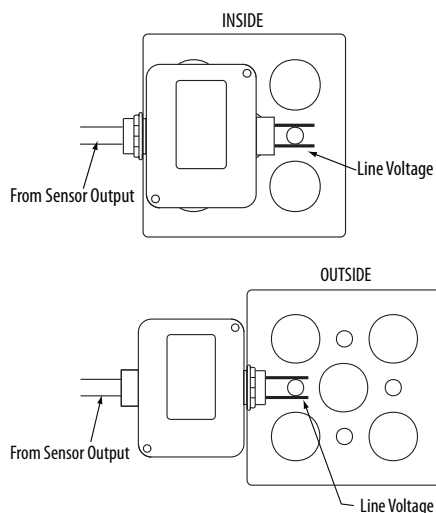
1. Provide separate overcurrent protection in accordance with the National Electrical Code® and applicable local codes.
2. Use copper wire only.
3. Confirm that the device rating is appropriate for your application.
4. Set the voltage selector on the front of the unit to either 120 or 277 V, depending on your application. The unit is shipped with the selector set to 277 V.
5. Mount the power pack to a suitable junction box using the 1/2-in., threaded nipple and lock. The power pack is plenum-rated, and can be mounted to the inside or the outside of a junction box or fixture in a ceiling plenum.
6. Connect the power pack as shown. Use approved wire nuts for electrical connections.

OPERATION

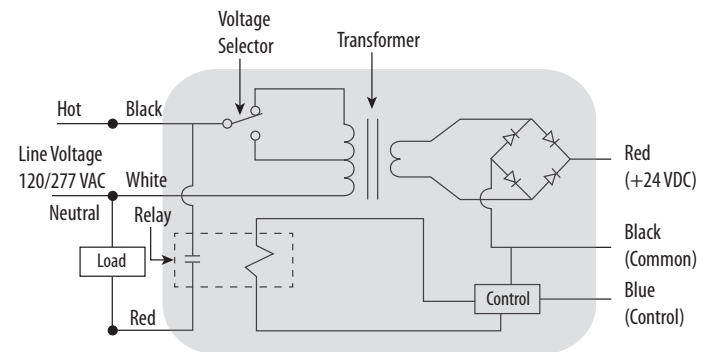
The AA47 Line-Switching Power Pack provides local switching capability to control loads based on the signal from MSC Series occupancy sensors, independently of any connection to building control systems. The AA47 routes 120/277 VAC, 60 Hz line power directly to a Form A relay contact (SPST, normally open) to control a load, and it generates full-wave, 24 VDC to power up to four MSC sensors (depending on model). The relay is rated for maximum 15 A tungsten and 20 A ballast loads.

Mounted the AA47 either inside or outside a standard junction box using a 1/2-in., threaded EMT nipple. Route power to the sensor(s) using plenum-rated cable.

MOUNTING OPTIONS



SCHEMATIC DIAGRAM



SYSTEM DIAGRAM

