



ADJUSTABLE AIR PRESSURE SENSING SWITCH WITH MANUAL RESET (SPDT)

APPLICATION

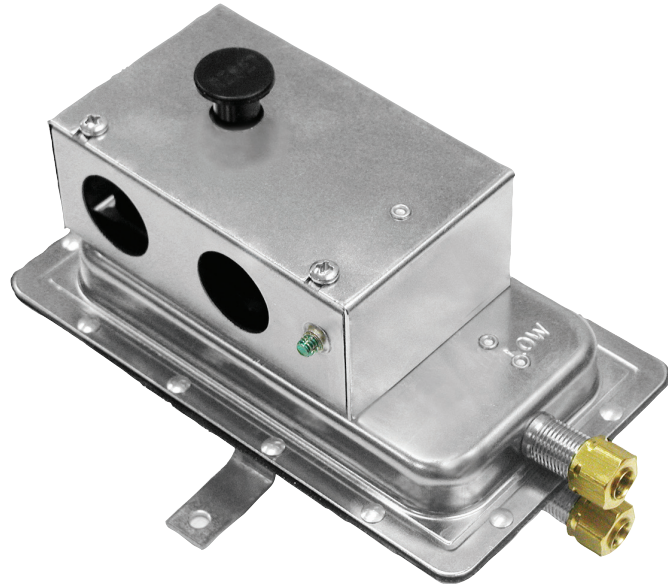
The **Model AFS-305** is a general purpose proving switch designed to require manual operator reset following actuation. It can be used to sense positive, negative, or differential air pressure in HVAC and Energy Management applications that require operator interface.

GENERAL DESCRIPTION & OPERATION

The plated housing contains a diaphragm, a calibration spring and a snap-acting SPDT switch with manual reset button.

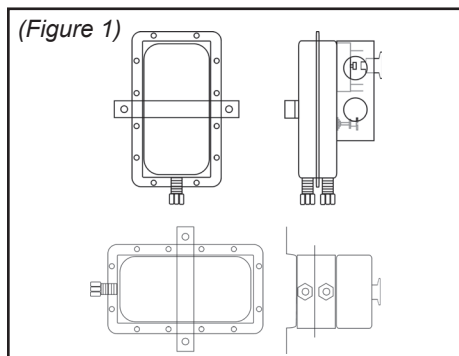
The sample connections located on each side of the diaphragm accept 1/4" OD metallic tubing via the integral compression ferrule and nut.

An enclosure cover protects the operator from accidental contact with the live switch terminal screws and the set point adjusting screw. The enclosure cover accepts two 1/2" conduit connections.



MOUNTING (FIGURE 1)

Select a mounting location that is free from vibration. The **AFS-305** must be mounted with the diaphragm in any vertical plane in order to obtain the lowest specified operating set point. Do not mount with the sample line connections in the "up" position. Surface mount via the two 3/16" diameter holes in the integral mounting bracket. The mounting holes are 3-7/8" apart.



AIR SAMPLING CONNECTION (FIGURE 2)

The **AFS-305** is designed to accept firm-wall sample lines of 1/4" OD tubing by means of ferrule and nut compression connections. An optional 1/4" adapter, suitable for slip-on flexible tubing is available: order part number 18311.

For sample lines of up to 10 feet, 1/4" OD tubing is acceptable. For lines up to 20 feet, use 1/4" ID tubing. Locate the sampling probe a minimum of 1.5 duct diameters downstream from the air source.

Install the sampling probe as close to the center of the airstream as possible. Refer to Figure 2 to identify the high pressure inlet (H) and the low pressure inlet (L). Select one of the five application options listed below, and connect the sample lines as recommended.

POSITIVE PRESSURE ONLY: Connect the sample line to inlet H; inlet L remains open to the atmosphere.

NEGATIVE PRESSURE ONLY: Connect the sample line to inlet L; inlet H remains open to the atmosphere.

TWO NEGATIVE SAMPLES: Connect the higher negative sample to inlet L. Connect the lower negative sample to inlet H.

TWO POSITIVE SAMPLES: Connect the higher positive sample to inlet H. Connect the lower positive sample to inlet L.

ONE POSITIVE AND ONE NEGATIVE SAMPLE: Connect the positive sample to inlet H. Connect the negative sample to inlet L.



ELECTRICAL CONNECTIONS

(SEE FIGURE 3)

Before pressure is applied to the diaphragm, the switch contacts will be in the normally closed (NC) position.

The snap switch has 90° quick-connect spade terminals. Wire alarm and control applications as shown in **Figure 4**.

FIELD ADJUSTMENT

The adjustment range of an **AFS-305** Air Switch is 0.25" ± 0.05" w.c. to 12.0" w.c. To adjust the set point, turn the adjusting screw counterclockwise until motion has stopped. Next, turn the adjusting screw four complete turns in a clockwise direction to engage the spring. From this point, the next ten turns will be used for the actual calibration. **Each full turn represents approximately 1.18" w.c.**

Please note: To properly calibrate an air switch, a digital manometer or other measuring device should be used to confirm the actual set point.

SPECIFICATIONS

MODEL AFS-305 AIR PRESSURE SENSING SWITCH WITH MANUAL RESET FEATURE

Mounting Position:

Mount with the diaphragm in any vertical plane.

Set Point Range:

0.25 ± 0.05" w.c. to 12.0" w.c.

Field Adjustable "Operate Range":

0.30" w.c. to 12.0" w.c.

Measured Media:

Air, or combustion by-products that will not degrade silicone.

Maximum Pressure:

½ psi (0.03 bar)

Life:

Exceeds mechanical endurance test of 6,000 cycles minimum at 0.5 psi maximum pressure each cycle and at maximum electrical load.

Electrical Rating:

@ 60 Hz.

15 amp 125, 250, or 277 VAC

¼ hp 125 V AC, ½ Hp 250 VAC,

½ amp 125 V DC,

¼ amp 250 V DC .

Contact Arrangement:

SPDT (manual reset).

Electrical Connections:

¼" x 0.032, 90° quick Connect spade terminals.

Conduit Openings:

Two ⅝" diameter openings accept ½" conduit.

Sample Line Connectors:

Male, externally threaded 7/16" 24 UNS 2A thread, complete with nuts and self-aligning ferrules.

Sample Line Connections:

Connectors accept ¼" OD rigid or semi-rigid tubing.

Shipping Weight:

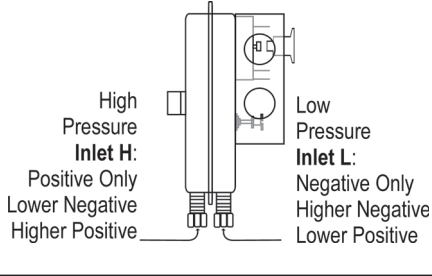
1.2 lbs.

Accessories:

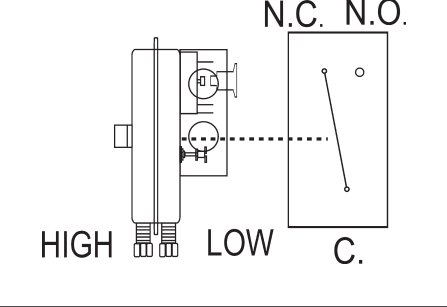
- P/N 18311 Slip-on ¼" OD Tubing Adapter, suitable for slipping on flexible plastic tubing.
- Sample line probes.
- Orifice plugs (pulsation dampers).

Approvals: None.

(Figure 2)

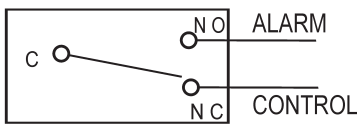


(Figure 3)



(Figure 4)

To prove excessive air flow or pressure:



To prove insufficient air flow or pressure:

