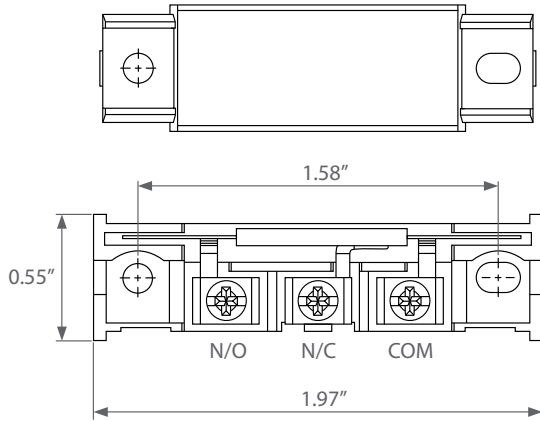
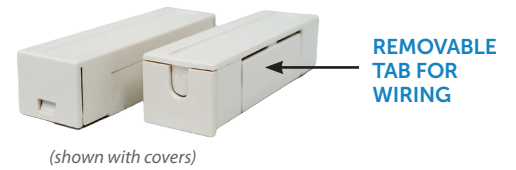


ACLCMAGSM

Surface Mount Magnetic Switch, Form C (SPDT)



MAGNETIC SWITCH FOR CLOSET LIGHT CONTROLLERS



Specifications

Switching Voltage (Max): 30 Vac/dc
Switching Current (Max): 0.2 Amp
Operating Gap (Min): 1.125"

Terminal Normal State	Door Closed	Door Open
Common	COM	COM
N/O	N/O	N/O
N/C	N/C	N/C

