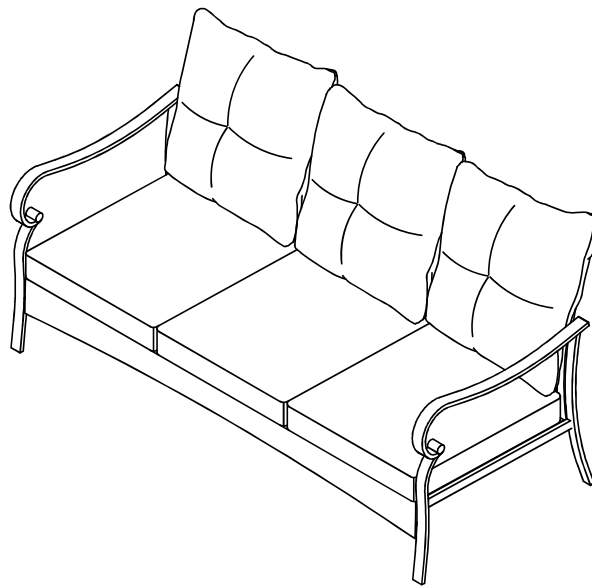


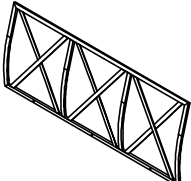
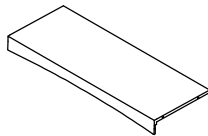
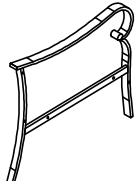
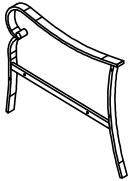
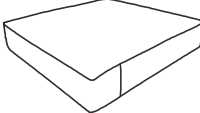
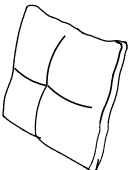
CROSLEY

FURNITURE

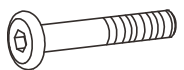
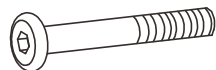


Outdoor Metal Sofa
CO6250



PART LIST

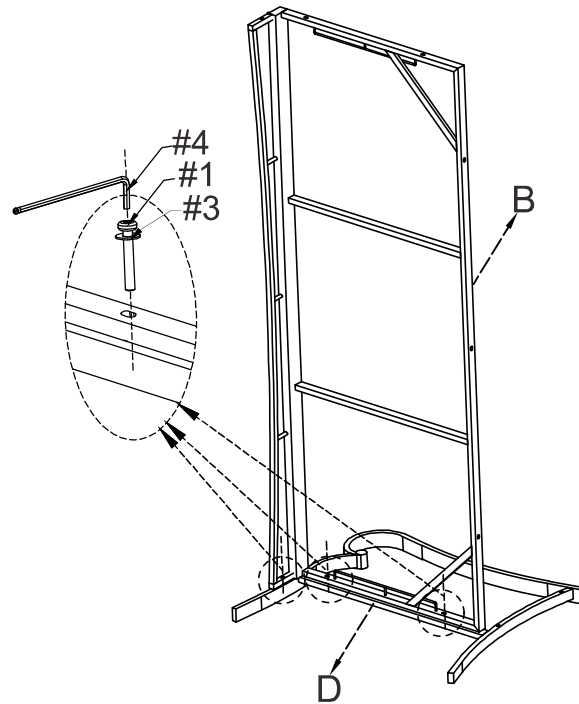
A 	B 	C 	D 	E 
Back Panel 1 PC	Seat Panel 1 PC	Right Arm Panel 1 PC	Left Arm Panel 1 PC	Seat Cushion 3 PCS
F 				
Back Cushion 3 PCS				




HARDWARE LIST

#1 	#2 	#3 	#4 
M6*30mm Bolt 9 PCS (Extra 1)	M6*45mm Long Bolt 4 PCS (Extra 1)	M6mm Flat Washer 13 PCS (Extra 1)	M6mm Allen Wrench 1 PC

Step 1. Lay left arm panel (part D) down on a soft flat surface, such as carpet, as shown below. Attach seat panel (part B) to left arm panel (part D) using bolts (part #1), flat washers (part #3) and allen wrench (part #4).

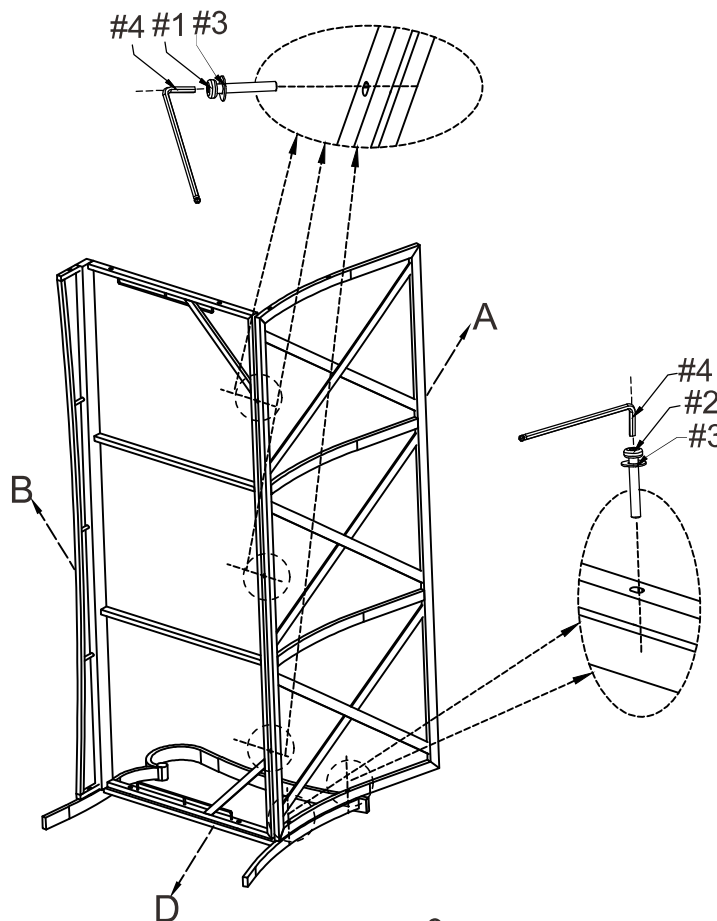
NOTE: Please do not fully tighten bolts until unit is fully assembled.







#1		x3
#3		x3
#4		x1

Step 2. Attach back panel (part A) to left arm panel (part D) and seat panel (part B) using bolts (part #1), long bolts (part #2), flat washers (part #3) and allen wrench (part #4).

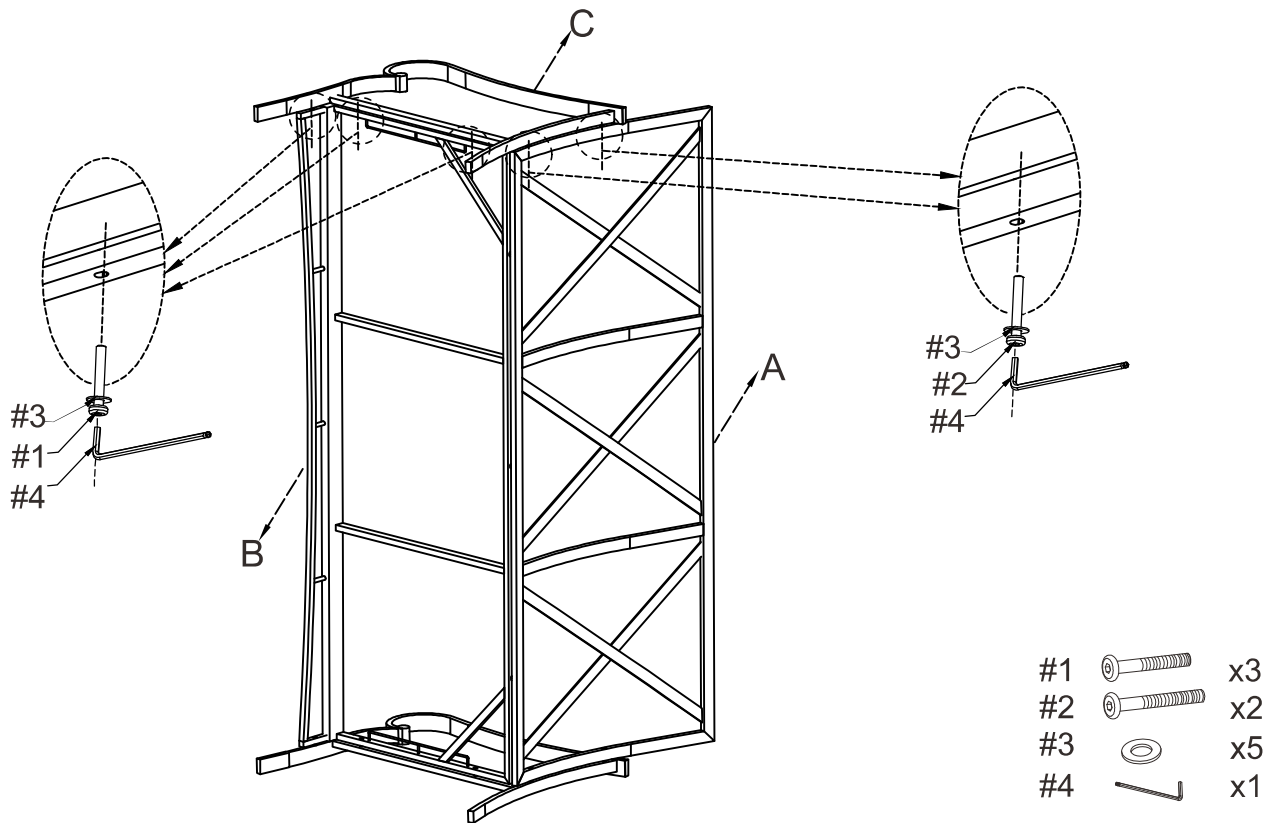
NOTE: Please do not fully tighten bolts until unit is fully assembled.



#1		x3
#2		x2
#3		x5
#4		x1

Step 3. Attach right arm panel (part C) to back panel (part A) and seat panel (part B) using bolts (part #1), long bolts (part #2), flat washers (part #3) and allen wrench (part #4).

NOTE: Please fully tighten all bolts at this time.



Step 4. Carefully turn unit upright. Place seat cushions (part E) and back cushions (part F) as shown below.

