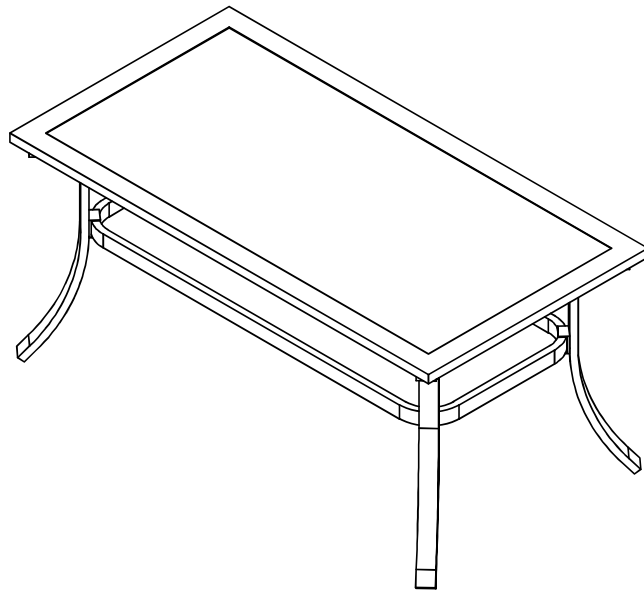


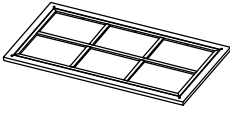

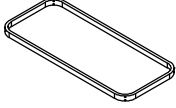
CROSLEY
FURNITURE

Outdoor Wicker Coffee Table

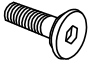
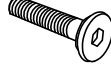


CO6253



PART LIST

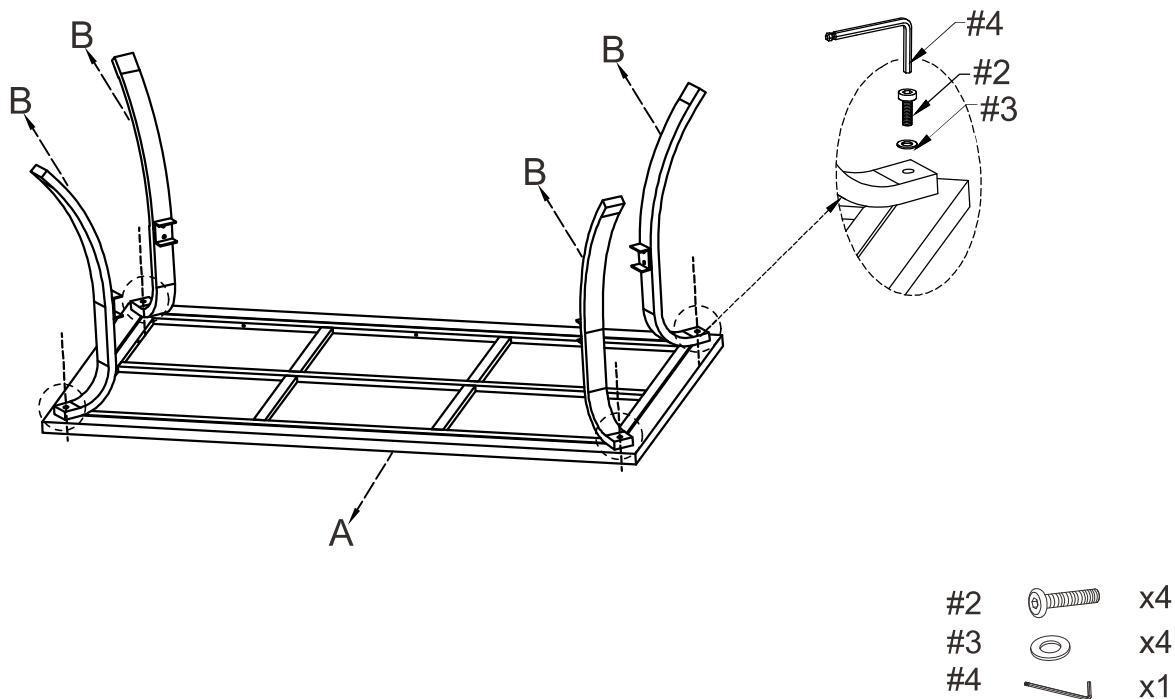
<p>A</p> 	<p>B</p> 	<p>C</p> 
<p>Top Panel 1 PC</p>	<p>Leg 4 PCS</p>	<p>Bottom Frame 1 PC</p>

HARDWARE LIST

<p>#1</p> 	<p>#2</p> 	<p>#3</p> 	<p>#4</p> 
<p>M6*25mm Bolt 8 PCS (Extra 1)</p>	<p>M6*30mm Long Bolt 4 PCS (Extra 1)</p>	<p>M6mm Flat Washer 12 PCS (Extra 1)</p>	<p>Allen Wrench 1 PC</p>

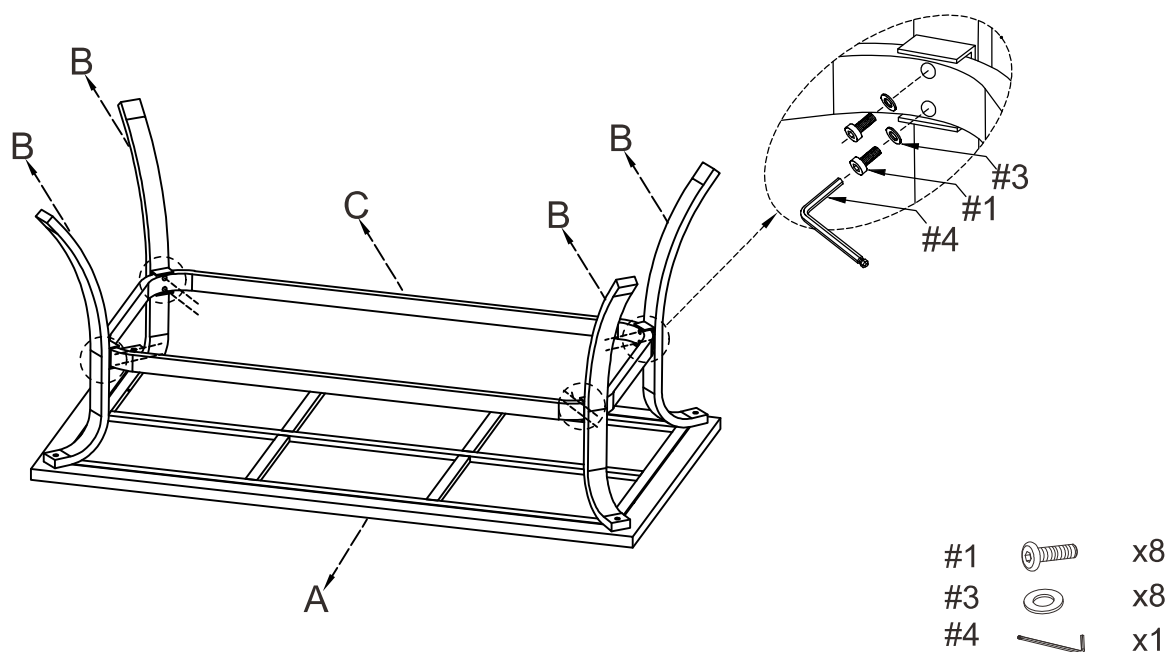
Step 1. Lay top panel (part A) upside down on a soft flat surface, such as carpet, as shown below. Attach legs (part B) to top panel (part A) using long bolts (part #2), flat washers (part #3) and allen wrench (part #4).

NOTE: Please do not fully tighten bolts until unit is fully assembled.



Step 2. Attach bottom frame (part C) to legs (part B) using bolts (part #1), flat washers (part #3) and allen wrench (part #4).

NOTE: Please fully tighten all bolts at this time.



Step 3. Carefully turn unit upright.

