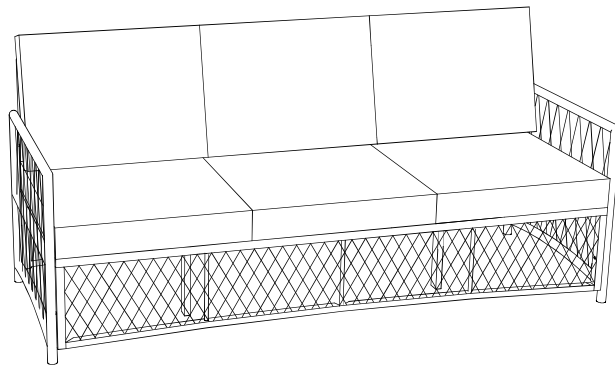


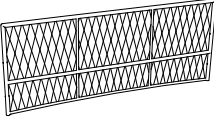
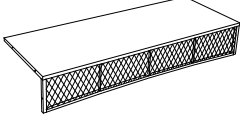
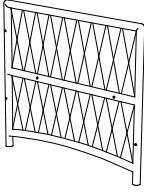
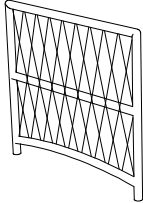
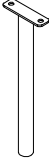




CROSLEY

FURNITURE

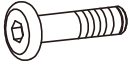
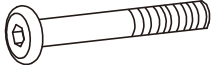


Outdoor Wicker Sofa
CO6341



PART LIST

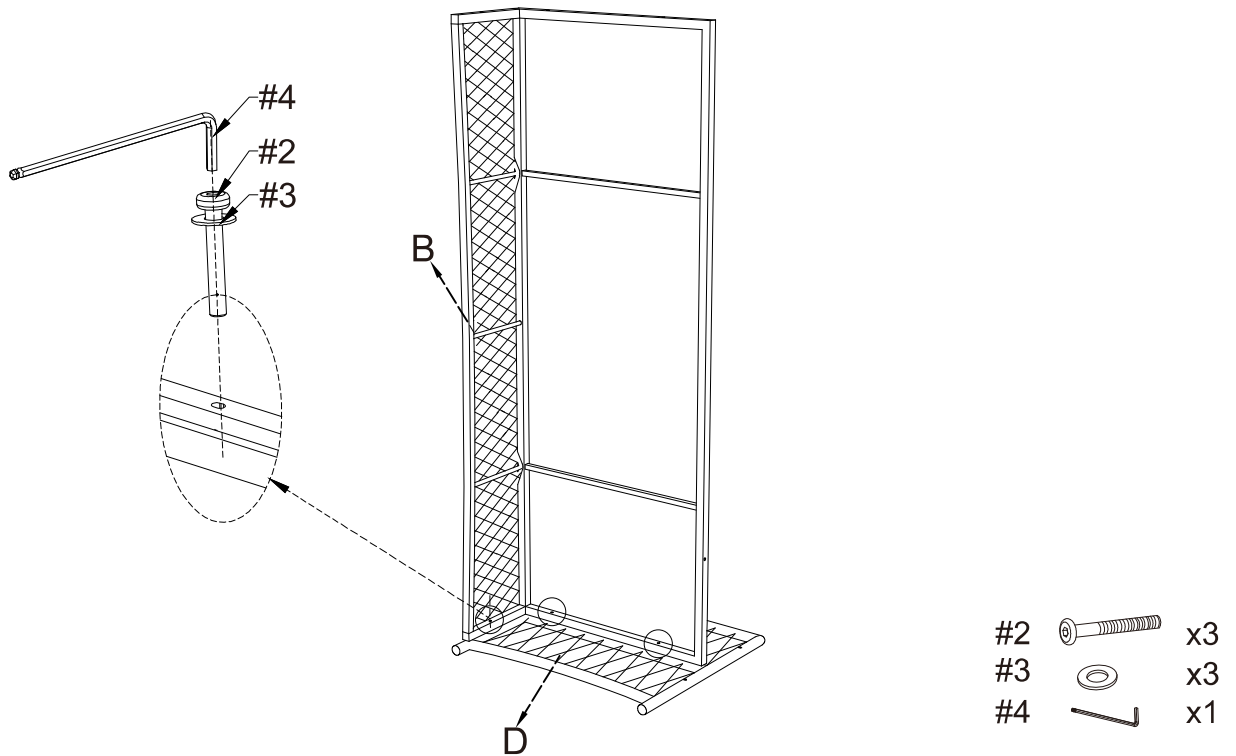
				
<p>Back Panel 1 PC</p>	<p>Seat Panel 1 PC</p>	<p>Right Arm Panel 1 PC</p>	<p>Left Arm Panel 1 PC</p>	<p>Leg 2 PCS</p>
				<p>*Please note cushion covers will ship separately.</p>
<p>Cover of Seat Cushion * 3 PCS</p>	<p>Core of Seat Cushion 3 PCS</p>	<p>Cover of Back Cushion * 3 PCS</p>	<p>Core of Back Cushion 3 PCS</p>	

HARDWARE LIST

 <p>M6*20mm</p>	 <p>M6*45mm</p>	 <p>M6mm</p>	 <p>M6mm</p>
<p>Bolt 4 PCS (Extra 1)</p>	<p>Long Bolt 13 PCS (Extra 1)</p>	<p>Flat Washer 17 PCS (Extra 1)</p>	<p>Allen Wrench 1 PC</p>

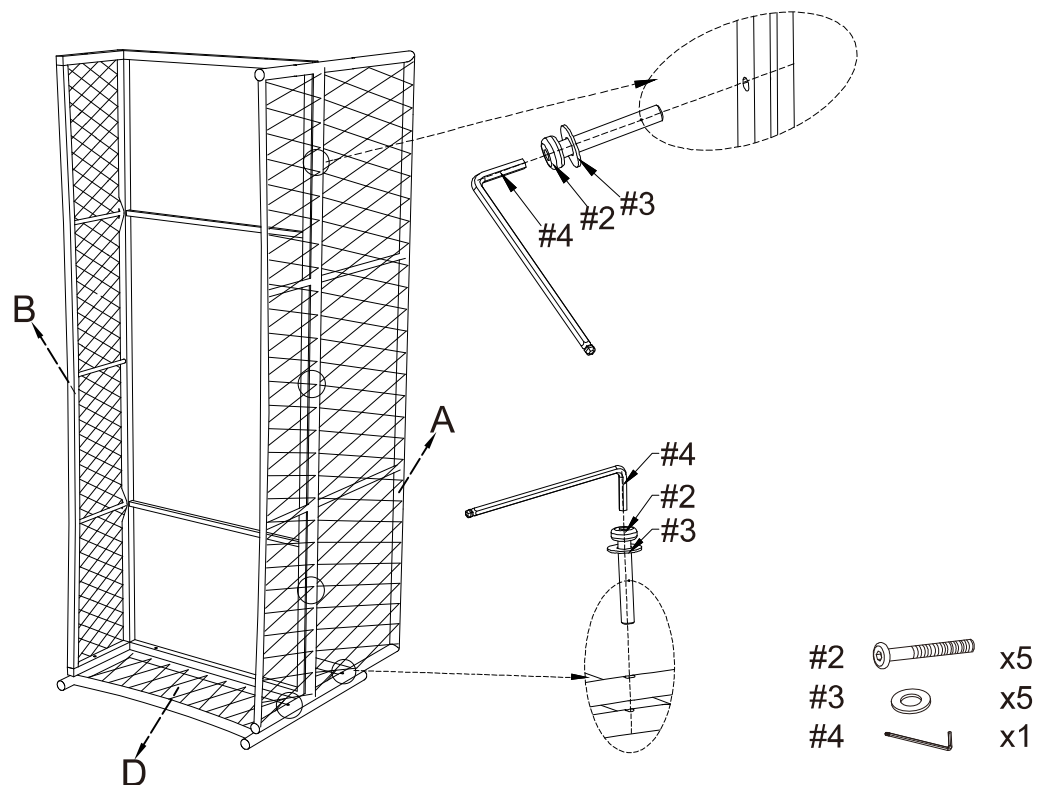
Step 1. Lay left arm panel (part D) down on a soft flat surface, such as carpet, as shown below. Attach seat panel (part B) to left arm panel (part D) using long bolts (part #2), flat washers (part #3) and allen wrench (part #4).

NOTE: Please do not fully tighten bolts until unit is fully assembled.



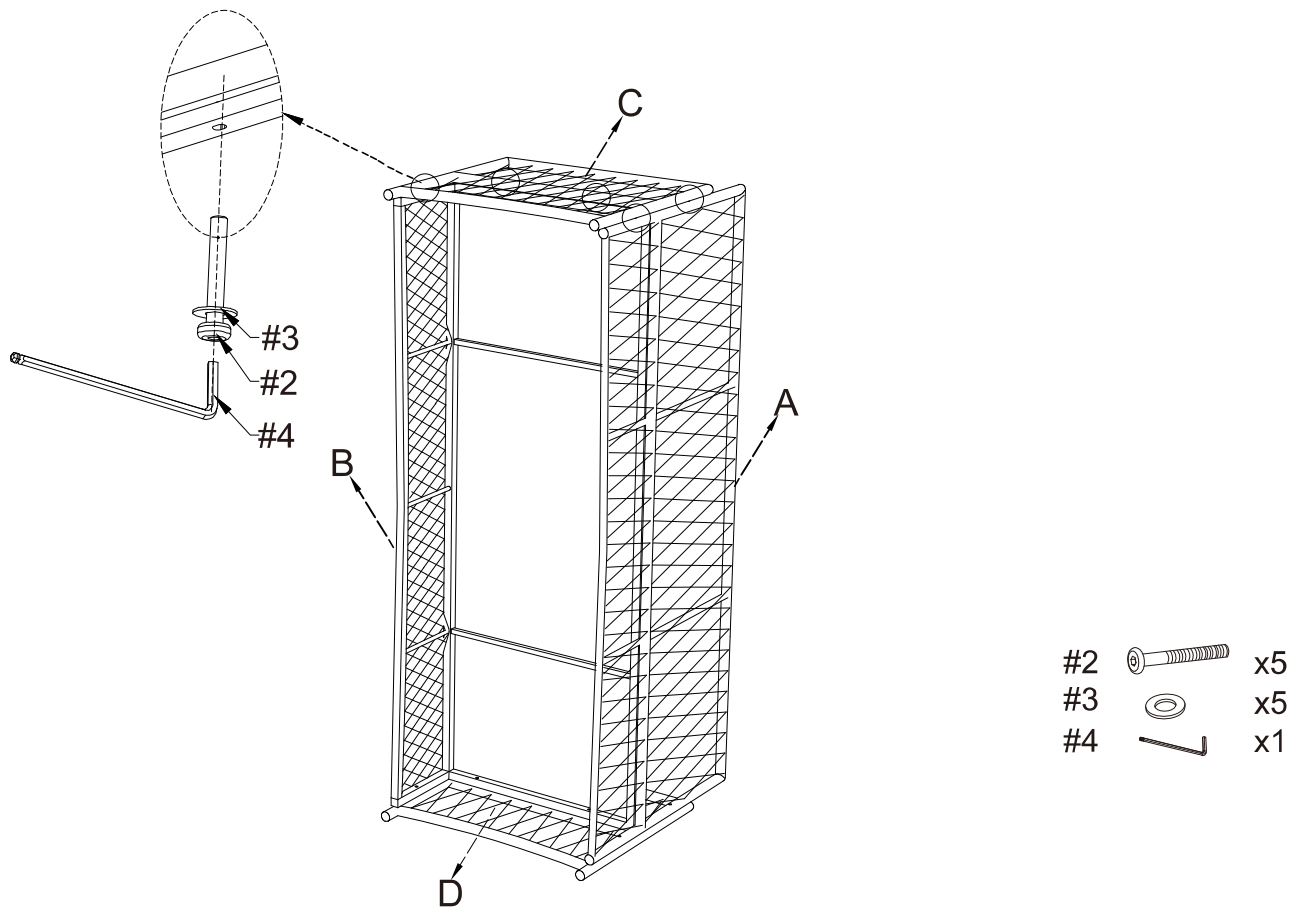
Step 2. Attach back panel (part A) to left arm panel (part D) and seat panel (part B) using long bolts (part #2), flat washers (part #3) and allen wrench (part #4).

NOTE: Please do not fully tighten bolts until unit is fully assembled.



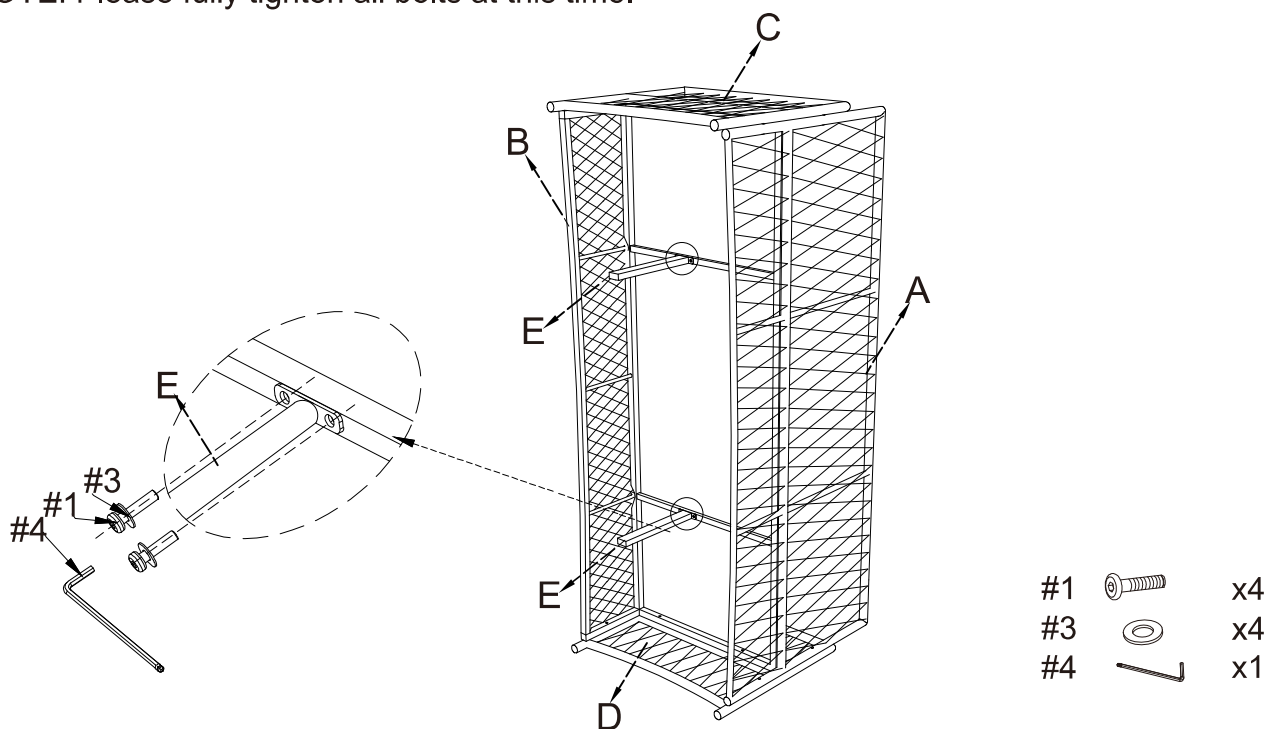
Step 3. Attach right arm panel (part C) to back panel (part A) and seat panel (part B) using long bolts (part #2), flat washers (part #3) and allen wrench (part #4).

NOTE: Please do not fully tighten bolts until unit is fully assembled.

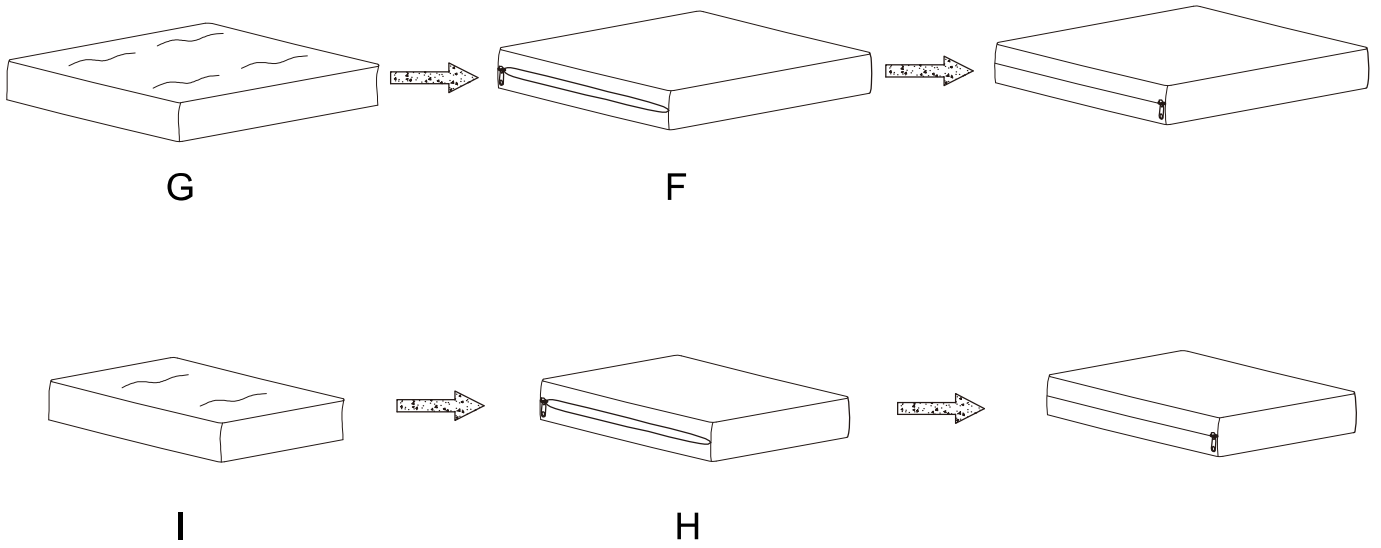


Step 4. Attach legs (part E) to seat panel (part B) using bolts (part #1), flat washers (part #3) and allen wrench (part #4).

NOTE: Please fully tighten all bolts at this time.



Step 5. Insert core of seat cushions (part G) into cover of seat cushions (part F).
Insert core of back cushions (part I) into cover of back cushions (part H).



Step 6. Carefully turn unit upright and add cushions as shown below.

