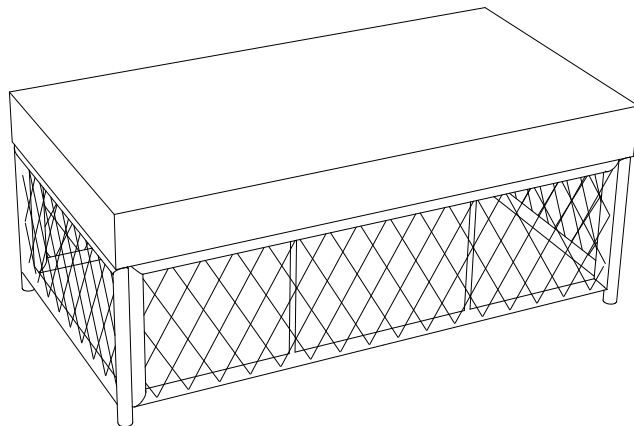
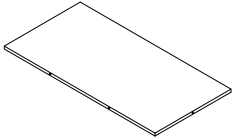
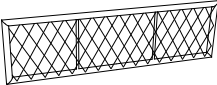
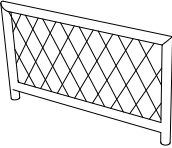
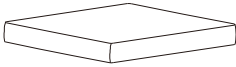



CROSLEY
FURNITURE

Outdoor Wicker Ottoman
CO6342

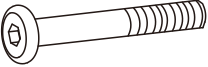




PART LIST

				
<p>Top Panel 1 PC</p>	<p>Side Panel 2 PCS</p>	<p>End Panel 2 PCS</p>	<p>Cover of Seat Cushion * 1 PC</p>	<p>Core of Seat Cushion 1 PC</p>

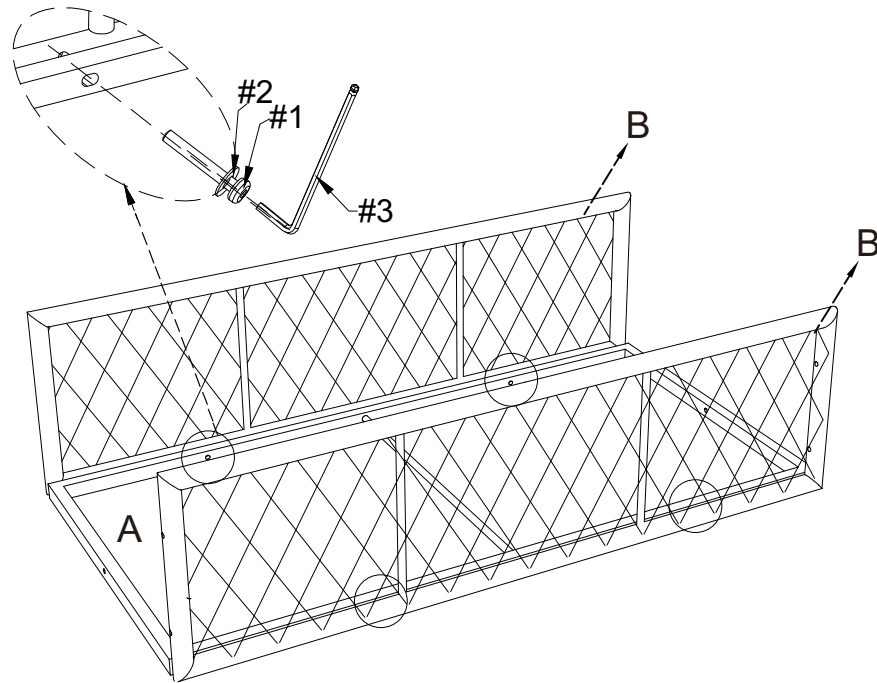
*Please note cushion covers will ship separately.

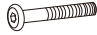


HARDWARE LIST

		
<p>#1 M6*45mm Bolt 14 PCS (Extra 1)</p>	<p>#2 M6mm Flat Washer 14 PCS (Extra 1)</p>	<p>#3 M6mm Allen Wrench 1 PC</p>

Step 1. Lay top panel (part A) upside down on a soft flat surface, such as carpet, as shown below. Attach side panels (part B) to top panel (part A) using bolts (part #1), flat washers (part #2) and allen wrench (part #3).

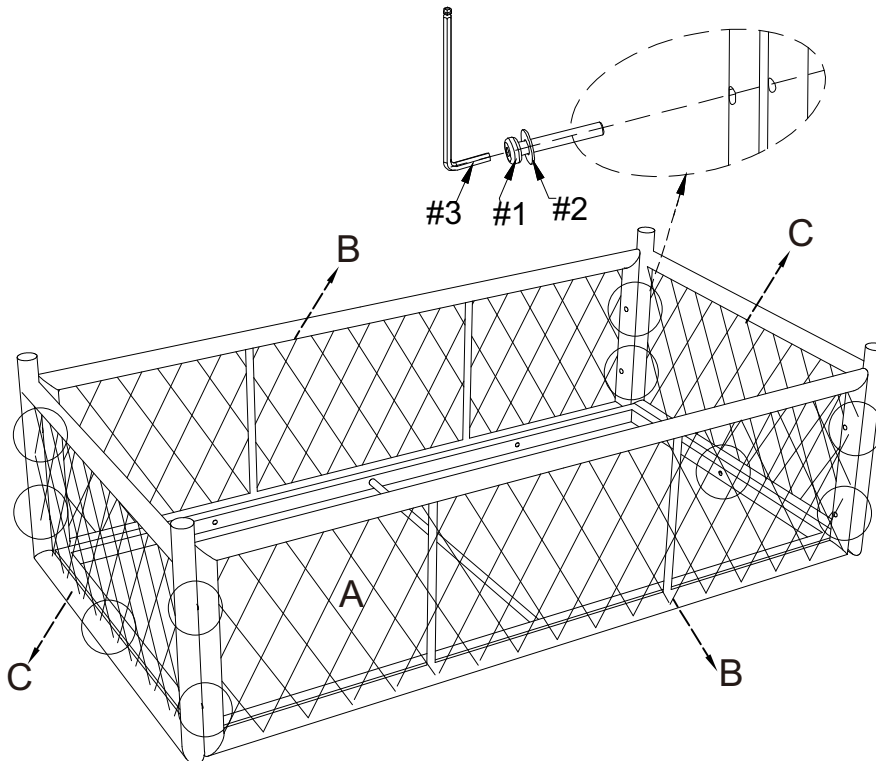
NOTE: Please do not fully tighten bolts until unit is fully assembled.






- | | | |
|----|---|----|
| #1 |  | x4 |
| #2 |  | x4 |
| #3 |  | x1 |

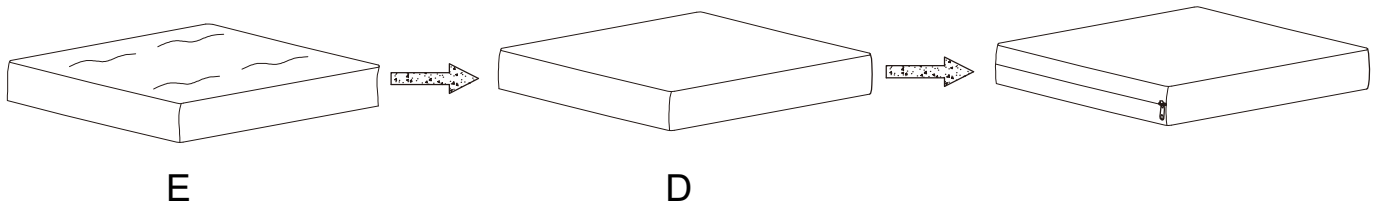
Step 2. Attach end panels (part C) to top panel (part A) and side panels (part B) using bolts (part #1), flat washers (part #2) and allen wrench (part #3).

NOTE: Please fully tighten all bolts at this time.



- | | | |
|----|---|-----|
| #1 |  | x10 |
| #2 |  | x10 |
| #3 |  | x1 |

Step 3. Insert core of seat cushion (part E) into cover of seat cushion (part D).



Step 4. Carefully turn unit upright and add cushion as shown below.

