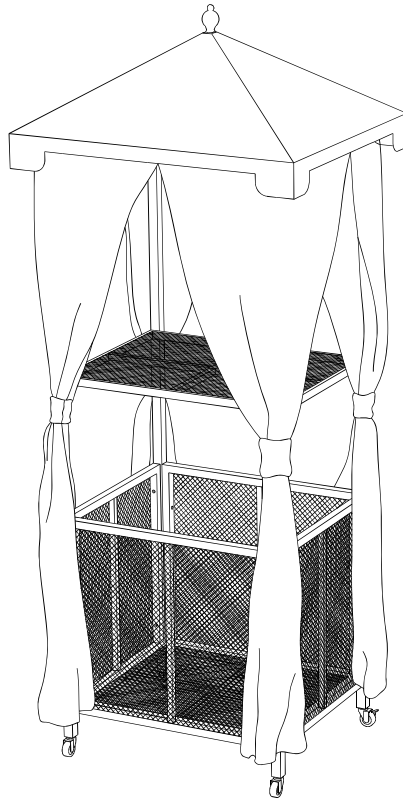
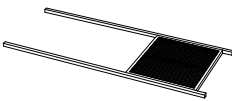
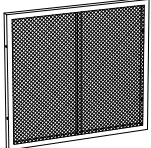


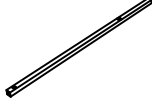









CROSLEY
FURNITURE





Outdoor Towel Valet
CO7309



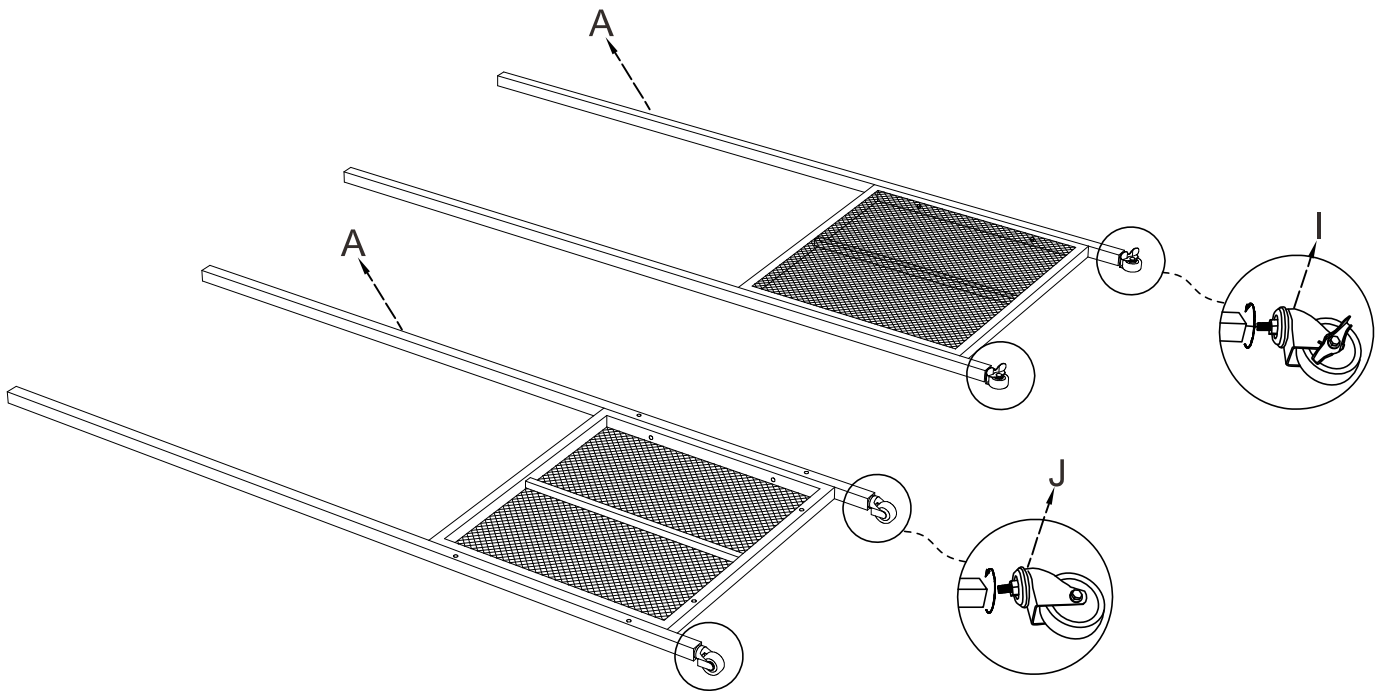
PART LIST

| | | | | |
|---|--|---|--|---|
| <p>A</p>  | <p>B</p>  | <p>C</p>  | <p>D</p>  | <p>E</p>  |
| <p>Long Side Panel 2 PCS</p> | <p>Short Side Panel 2 PCS</p> | <p>Bottom Panel & Shelf 2 PCS</p> | <p>Top Frame 1 PC</p> | <p>Rib 4 PCS</p> |
| <p>F</p>  | <p>G</p>  | <p>H</p>  | <p>I</p>  | <p>J</p>  |
| <p>Hub 1 PC</p> | <p>Connector 4 PCS</p> | <p>Finial 1 PC</p> | <p>Locking Caster 2 PCS</p> | <p>Swivel Caster 2 PCS</p> |
| <p>K</p>  | <p>L</p>  | | | |
| <p>Top Cover 1 PC</p> | <p>Fabric Curtain 1 PC</p> | | | |

HARDWARE LIST

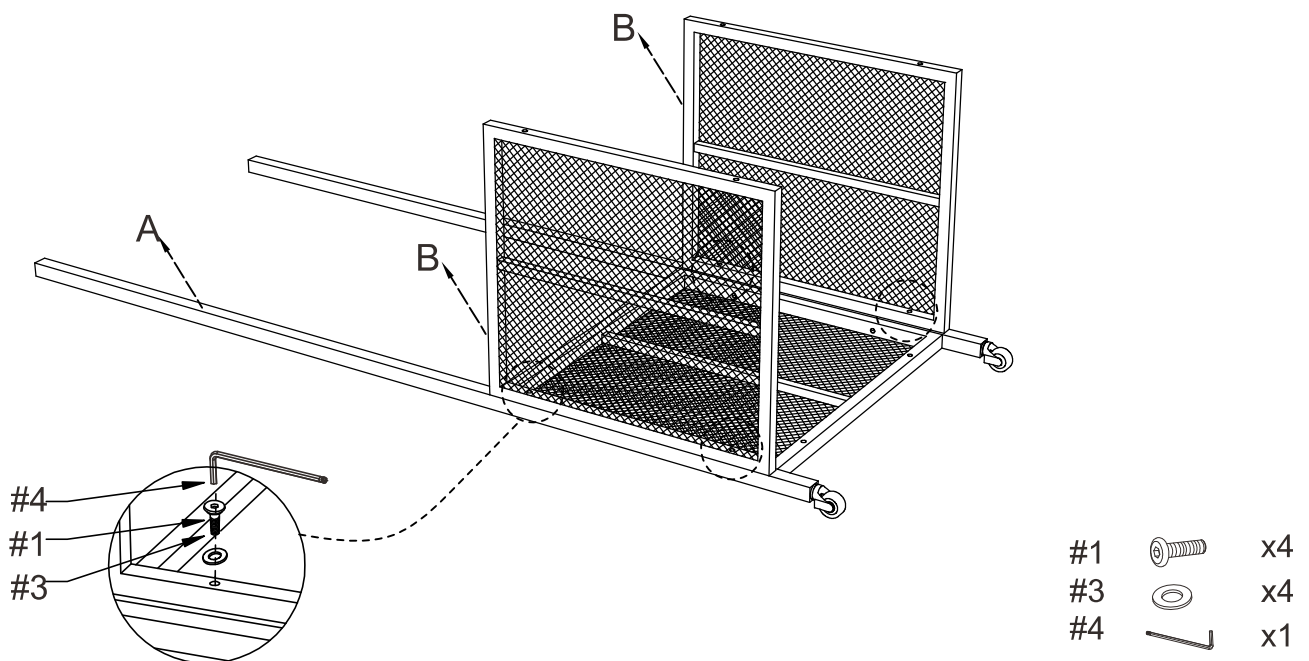
| | | | |
|---|---|--|---|
| <p>#1</p>  <p>M6*15mm</p> | <p>#2</p>  <p>M6*35mm</p> | <p>#3</p>  <p>M6mm</p> | <p>#4</p>  |
| <p>Bolt 24 PCS (Extra 1)</p> | <p>Long Bolt 4 PCS (Extra 1)</p> | <p>Flat Washer 28 PCS (Extra 1)</p> | <p>Allen Wrench 1 PC</p> |

Step 1. Lay long side panels (part A) down on a soft flat surface, such as carpet, as shown below. Attach locking casters (part I) and swivel casters (part J) to long side panels (part A).



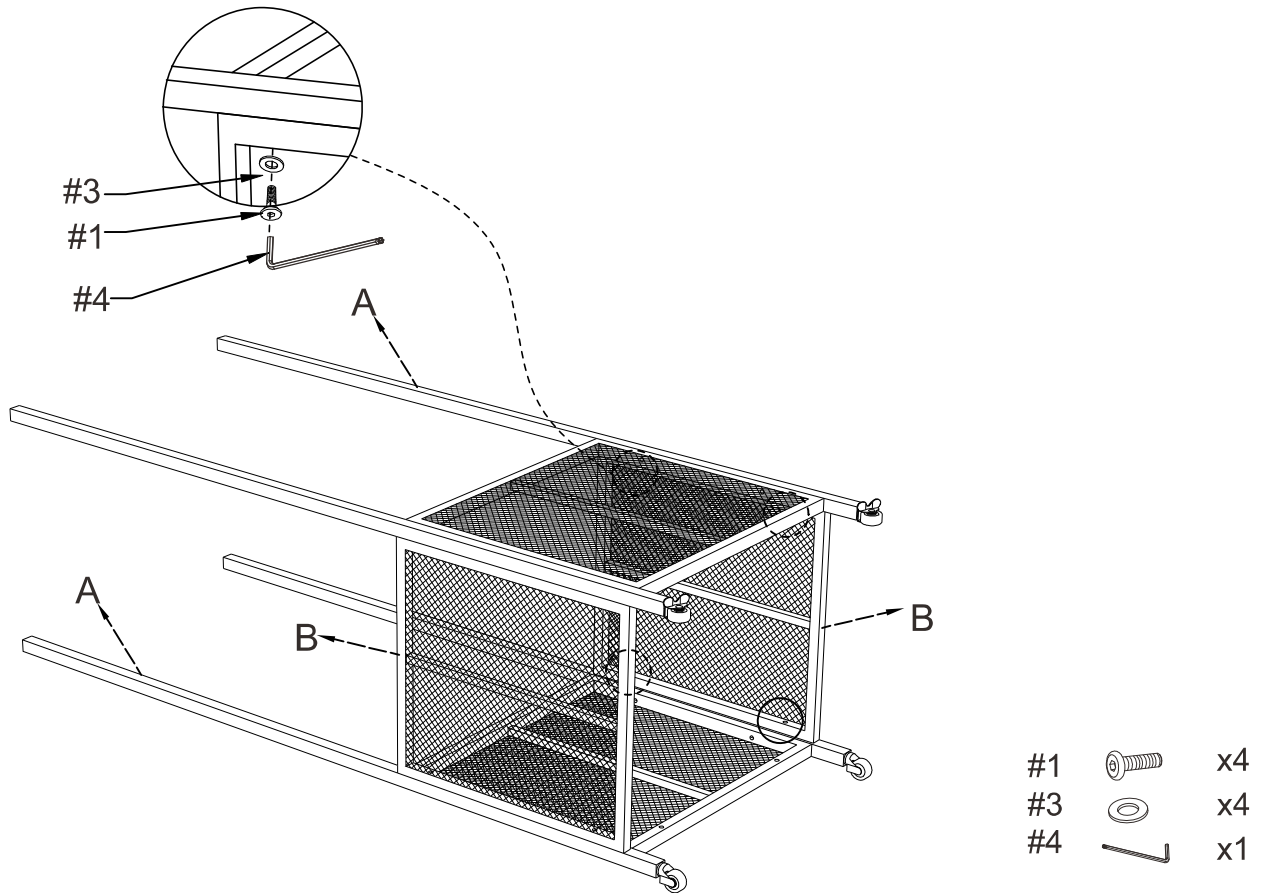
Step 2. Attach short side panels (part B) to long side panel (part A) using bolts (part #1), flat washers (part #3) and allen wrench (part #4)

NOTE: Please do not fully tighten bolts until unit is fully assembled.



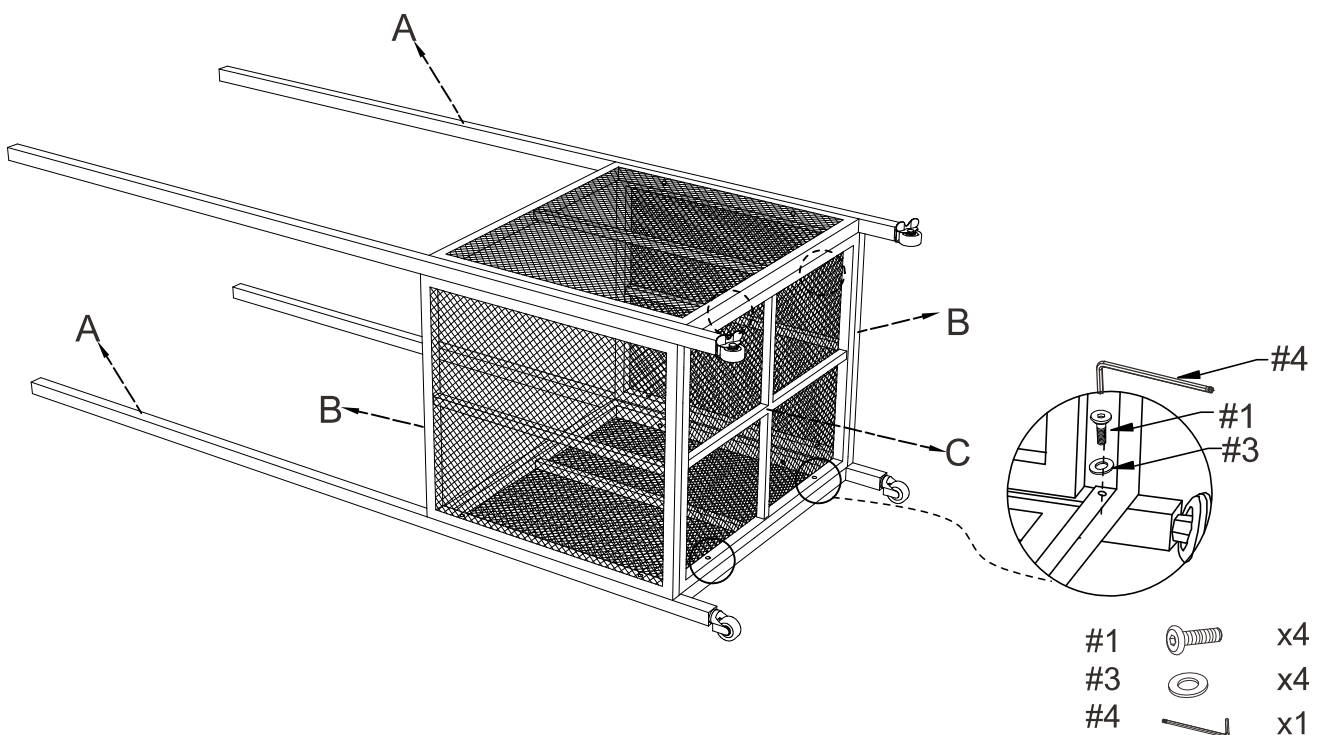
Step 3. Attach long side panel (part A) to short side panels (part B) using bolts (part #1), flat washers (part #3) and allen wrench (part #4).

NOTE: Please do not fully tighten bolts until unit is fully assembled.



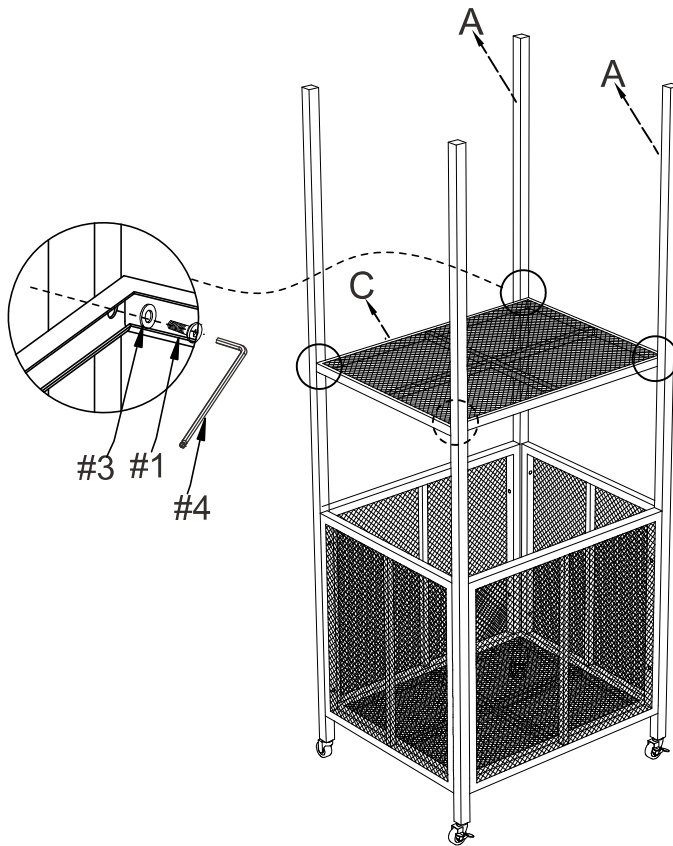
Step 4. Attach bottom panel (part C) to long side panels (part A) and short side panels (part B) using bolts (part #1), flat washers (part #3) and allen wrench (part #4).




NOTE: Please do not fully tighten bolts until unit is fully assembled.



Step 5. Attach shelf (part C) to long side panels (part A) using bolts (part #1), flat washers (part #3) and allen wrench (part #4).

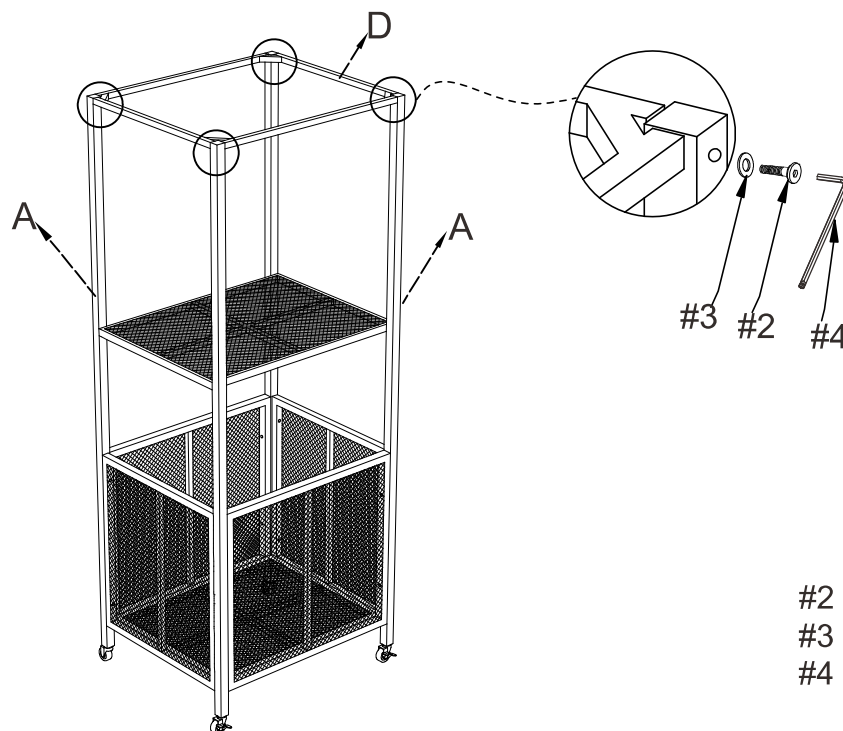
NOTE: Please do not fully tighten bolts until unit is fully assembled.






- | | | |
|----|---|----|
| #1 |  | x4 |
| #3 |  | x4 |
| #4 |  | x1 |

Step 6. Attach top frame (part D) to long side panels (part A) using long bolts (part #2), flat washers (part #3) and allen wrench (part #4).

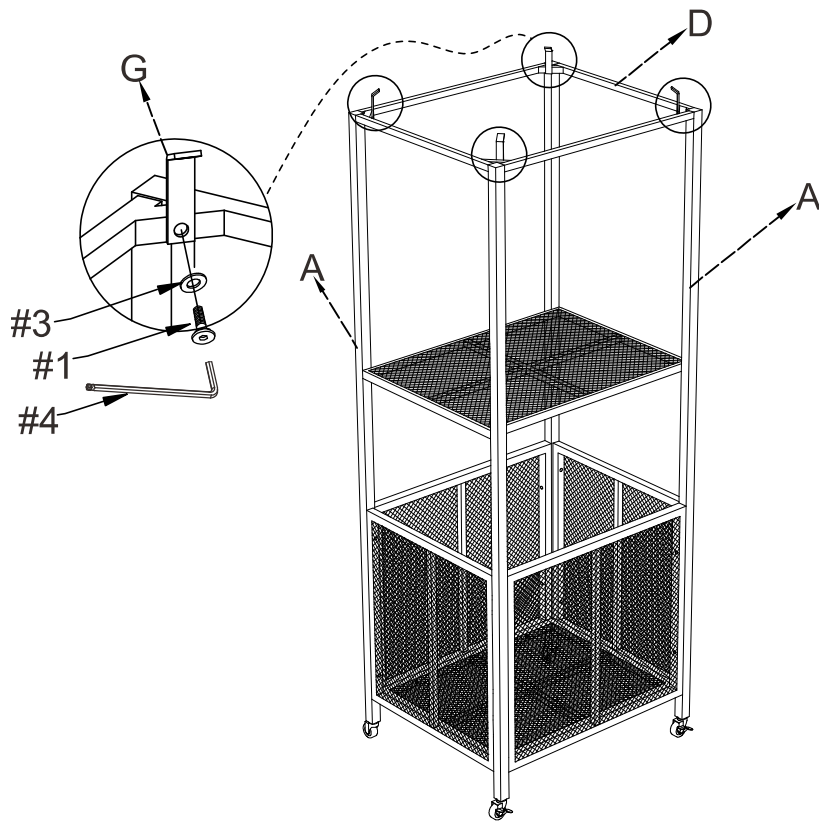
NOTE: Please do not fully tighten bolts until unit is fully assembled.






- | | | |
|----|---|----|
| #2 |  | x4 |
| #3 |  | x4 |
| #4 |  | x1 |

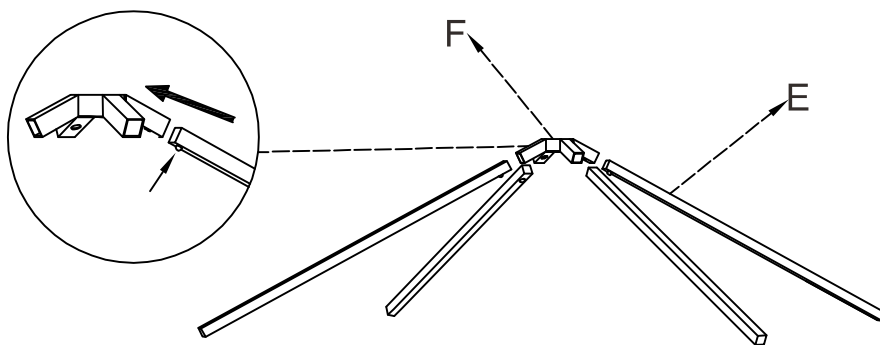
Step 7. Attach connectors (part G) to top frame (part D) and long side panels (part A) using bolts (part #1), flat washers (part #3) and allen wrench (part #4).

NOTE: Please do not fully tighten bolts until unit is fully assembled.

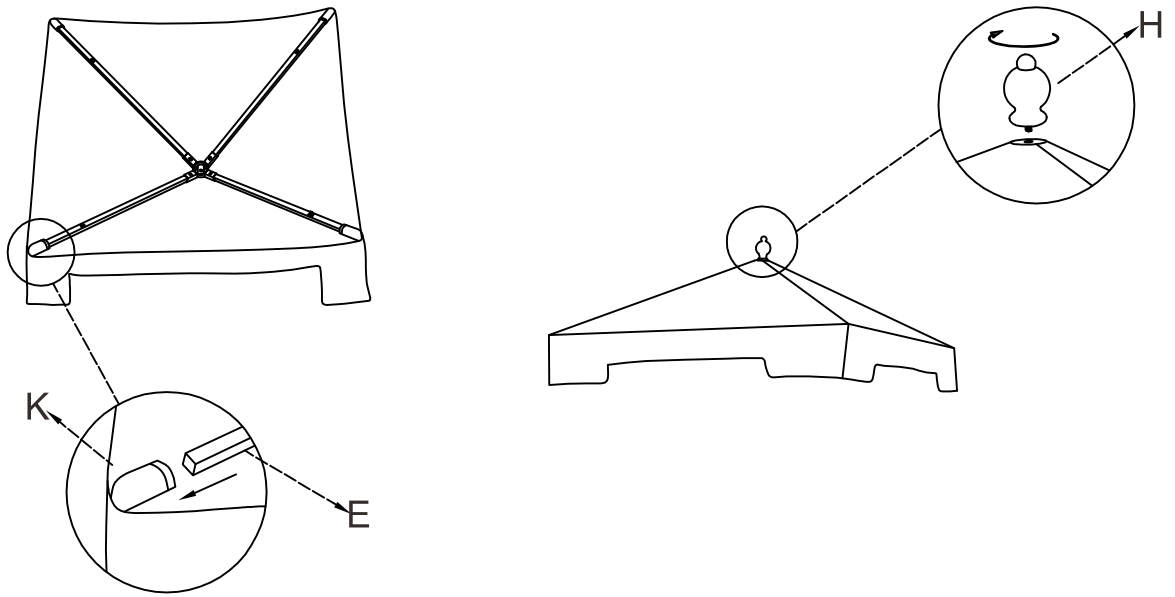


| | | |
|----|---|----|
| #1 |  | x4 |
| #3 |  | x4 |
| #4 |  | x1 |

Step 8. Fully insert ribs (part E) into hub (part F) until spring clips click into place.

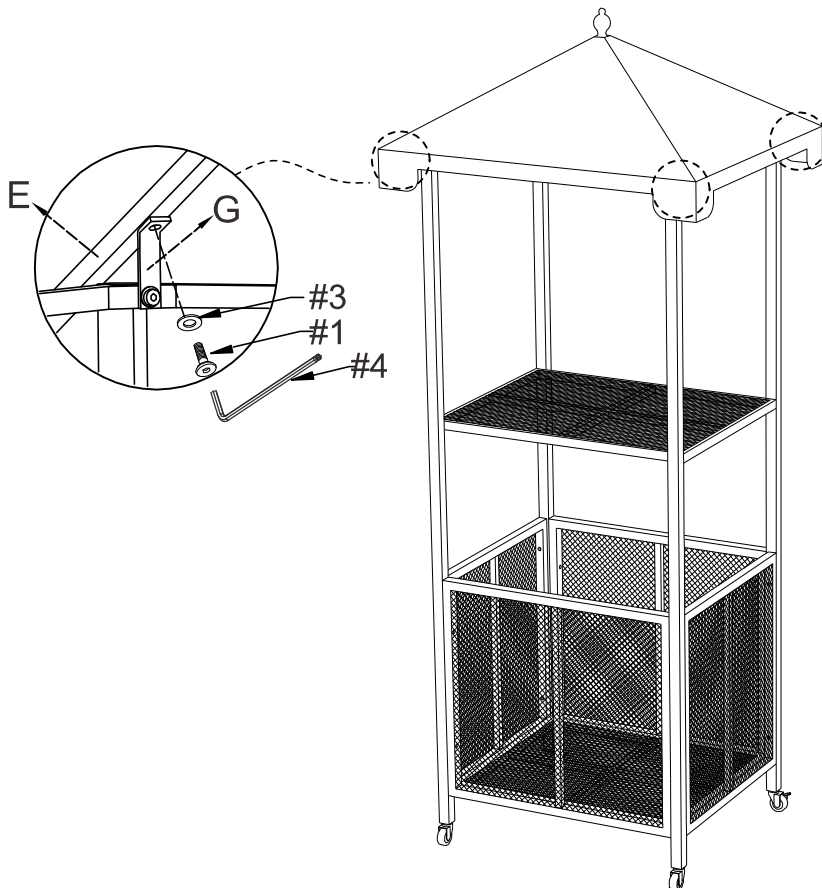





Step 9. Unfold top cover (part K) and attach to assembled unit (parts E & F) as shown below.
 Attach finial (part H) to hub (part F) of assembled unit (parts E, F & K) to secure together.



Step 10. Attach assembled unit (parts E, F, H & K) to connectors (part G) using bolts (part #1), flat washers (part #3) and allen wrench (part #4).

NOTE: Please fully tighten all bolts at this time.



- | | | |
|----|---|----|
| #1 |  | x4 |
| #3 |  | x4 |
| #4 |  | x1 |

Step 11. Secure fabric curtain (part L) to top frame (part D) using Velcro® straps as shown.

NOTE: Fabric curtain (part L) can be held open by using the Velcro® straps to secure them to long side panels (part A) as shown below.

