

P-135 Assembly & Installation Instructions

- 1) To cut center section of header and curb (Item a), add 3/8" to center line curb measurement to arrive at outside length of center section. Cut sides of curb (Item b) by adding 3/16" to centerline measurement. Leave sides on header to cut later.
- 2) Assemble header and curb using 19/64" 135 degree clips (Item c). (See Blowup 1) Insert the pre-drilled clips into the pre-drilled header and curb and secure using sixteen #6 x 3/8" P.P.H. Type A screws (Item d).
- 3) Set wall jamb (Item e) into the curb, hold plumb, and mark for screw holes. Remove wall jambs and curb. Drill 3/16" holes in wall and threshold using a 3/16" carbide tipped drill. Insert plastic anchors (Item f). Fill ends of curb with 100% silicone where curb will meet wall. Set curb in place on threshold and secure with #8 x 1 1/2" P.P.H. Type A screws (Item g). Replace wall jambs and secure to walls with #8 x 1 1/2" P.P.H. Type A screws.
- 4) Insert setting blocks (Item h) into curb and set panel glass in place in curb and wall jamb. Hold panel in place by installing short lengths of small push-in vinyl at top of glass panel into wall jamb, both inside and out. Adjustments for out of plumb walls are accomplished by the movement of glass panel in and out of wall jambs. For proper installation of vinyl and water tightness, the glass must extend at least 1/4" into jamb.
- 5) Set 135 degree post (Item i) in place over glass and into curb (with flat surfaced side towards the door). Hold post in temporary position by securing at top with small push-in vinyl. Plumb 135 degree posts to their respective walls.
- 6) Measure the distance between 135 degree posts at top of curb. This measurement is the length of the curb fillers (Item j). Cut to size and snap into place with high lip of filler to outside. The minimum length of this curb filler is 1 7/8" less than size door being used and the maximum length is 7/8" less than the size door being used.
- 7) Measure from wall to outside corner of 135 degree post. Add 3/32" to this measurement and cut header sides (Item k) to this length. Snap curb filler into header and place into position over stationary panels. Do not secure at this time. Set latch jamb (Item m) in place, but do not secure.
- 8) Install door with hinge jamb attached over 135 degree post. Use #6 x 1/2" P.P.H. Tek screw (Item n) to secure hinge jamb to 135 degree post.
- 9) Secure header to wall jamb on both sides on inside of header using #6 x 3/8" P.P.H. Type A screws. Take care not to hit the glass. Adjust header up or down on 135 degree posts until it is parallel with top of door. Secure to 135 degree post using #6 x 3/8" P.P.H. Type A screws over the door area of header, not the stationary panel side. Complete installation of small push-in vinyl into the wall jambs and 135 degree posts. Install large push-in vinyl at both the base and top of stationary panels, both inside and out. (Note: For super header, use #6 x 1/2" P.P.H. Type A screw and for euro header, use #6 x 11/16" P.P.H. Type A screw to secure to wall jamb.)
- 10) Secure latch jamb with #6 x 3/8" P.P.H. Type A screws. Glass should be a 1/4" from the edge of the latch jamb when properly aligned.
- 11) Seal unit using 100% silicone. Caulk the inside of the unit by starting at the top of the header where it meets the wall. Run a bead of silicone down from that point along the wall jamb where it meets the wall. Stop caulk about six inches from the bottom of the unit. Repeat on opposite side of the unit. Caulk curb at the two points where the miters are. Move to the outside of the unit and run a bead of caulk starting at the top of the header and running down the edge of the wall jamb where it meets the wall. Repeat on opposite side. Run bead of caulk across the base of the curb on the outside of the unit. Let unit set for 24 hours before use. * Also refer to Pivot Door Installation Instructions.

Diagram A

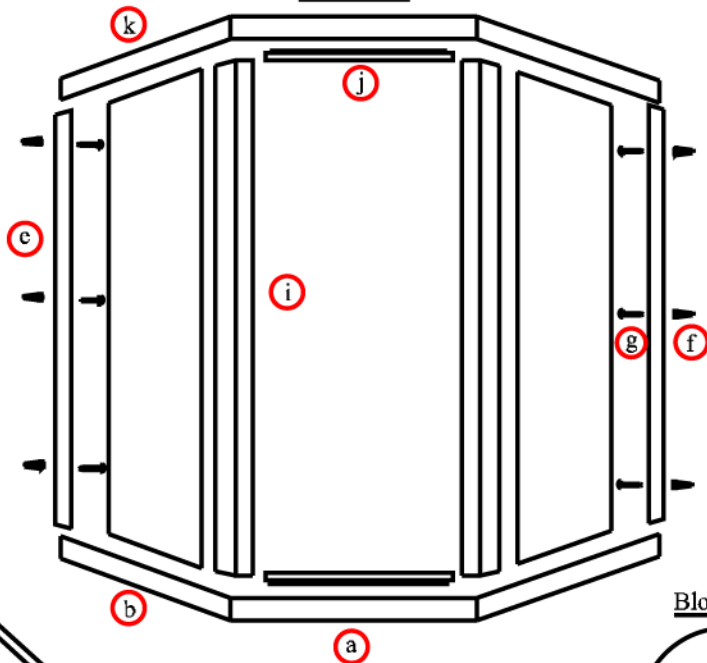
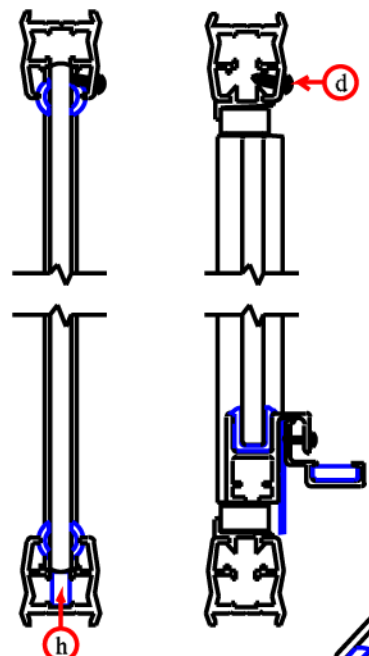


Diagram B



Blowup 1

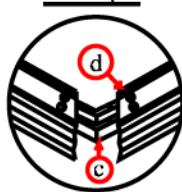


Diagram C

