

## P-90 I Assembly & Installation Instructions

- 1) Assemble header (Item a) and curb (Item b) using 19/64" 90 degree clips (Item c). (See Blowup 1) Insert the pre-drilled clips into the pre-drilled header and curb and secure using eight #6 x 3/8" P.P.H. Type A screws (Item d).
- 2) Place curb on threshold and then set wall jambs (Item e) into the curb, hold plumb, and mark for screw holes. Remove wall jambs and curb. Drill 3/16" holes in wall and threshold using a 3/16" carbide tipped drill. Insert plastic anchors (Item f). Fill ends of curb with 100% silicone where curb will meet wall. Set curb in place on threshold and secure with #8 x 1 1/2" P.P.H. Type A screws (Item g). Replace wall jambs and secure to walls with #8 x 1 1/2" P.P.H. Type A screws.
- 3) Insert setting blocks (Item h) into curb and set panel glass in place in curb and wall jamb. Hold panel in place by installing lengths of small push-in vinyl at top of glass panel into wall jamb, both inside and out. Adjustments for out of plumb walls are accomplished by the movement of glass panel in and out of wall jambs. For proper installation of vinyl and water tightness, the glass must extend at least 1/4" into jamb.
- 4) Set 90 degree post (Item i) in place over glass and into curb (with flat surfaced side towards the door). Hold post in temporary position by securing at top with small push-in vinyl. Plumb 90 degree post to the wall. Set in-line panel into curb and 90 degree post. Place 180 degree post (Item j) into curb and over the edge of the panel. Tack in place with the small push-in vinyl. Plumb 180 degree post with wall.
- 5) Measure the distance between 180 degree post and the wall on the door side at the top of the curb. This measurement is the length of the curb fillers (Item k). Cut to size and snap into place with high lip of filler to outside. The minimum length of this curb filler is 1 7/8" less than size door being used and the maximum length is 7/8" less than the size door being used.
- 6) Measure from wall to outside corner of 90 degree post. Add 3/32" to this measurement and cut header (Item m) to this length. Snap curb filler into header and place into position over stationary panels. Do not secure at this time. Set latch jamb (Item n) in place, but do not secure.
- 7) Install door (with hinge jamb attached) over the 180 degree post or wall jamb, depending which way the door will latch. Use #6 x 1/2" P.P.H. Tek screw (Item o) to secure hinge jamb to either the 180 degree post or the wall jamb.
- 8) Secure header to wall jamb on both sides on inside of header using #6 x 3/8" P.P.H. Type A screws. Take care not to hit the glass. Adjust header up or down on 90 degree posts until it is parallel with top of door. Secure to 90 degree post and 180 degree post using #6 x 3/8" P.P.H. Type A screws over the door area of header, not the stationary panel side. Complete installation of small push-in vinyl into the wall jamb, 180 degree post, and 90 degree post. Install large push-in vinyl at both the base and top of stationary panels, both inside and out. (Note: For super header, use #6 x 1/2" P.P.H. Type A screw and for euro header, use #6 x 11/16" P.P.H. Type A screw to secure to wall jamb.)
- 9) Secure latch jamb with #6 x 3/8" P.P.H. Type A screws. Glass should be 1/4" from the edge of the latch jamb when properly aligned.
- 10) Seal unit using 100% silicone. Caulk the inside of the unit by starting at the top of the header where it meets the wall. Run a bead of silicone down from that point along the wall jamb where it meets the wall. Stop caulk about six inches from the bottom of the unit. Repeat on opposite side of the unit. Caulk curb at the point where the miter is. Move to the outside of the unit and run a bead of caulk starting at the top of the header and running down the edge of the wall jamb where it meets the wall. Repeat on opposite side. Run bead of caulk across the base of the curb on the outside of the unit. Let unit set for 24 hours before use. \* Also refer to Pivot Door Installation Instructions.

Diagram A

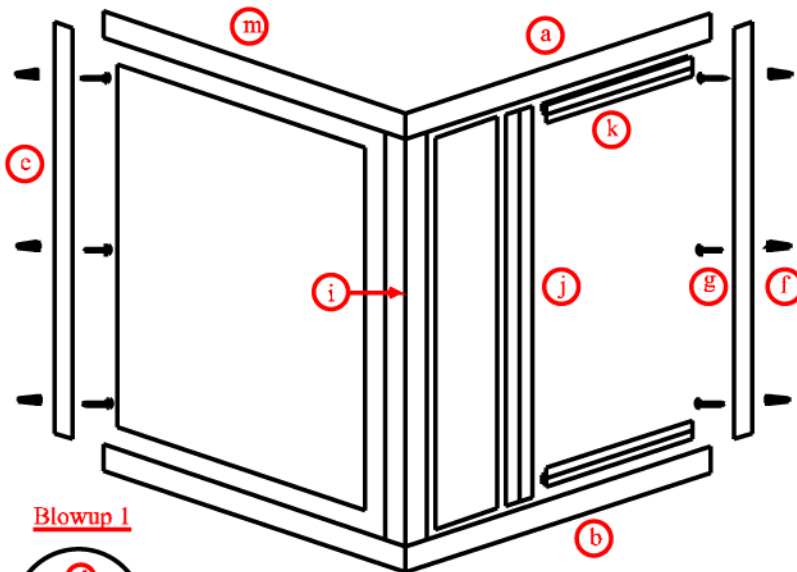
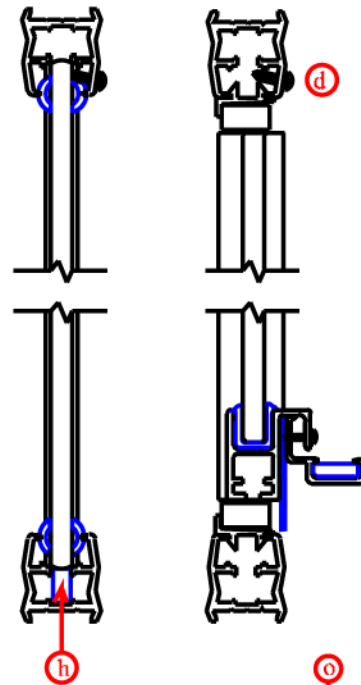


Diagram B



Blowup 1



Diagram C

