



Max. Marks : 80

**Sem I (EM Dec 15)**

Date :

Duration : 3 Hours

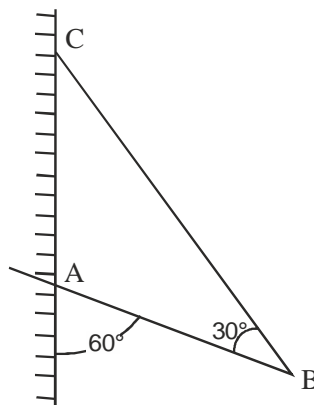
**Subject : Engg. Mechanics**

Test No. :

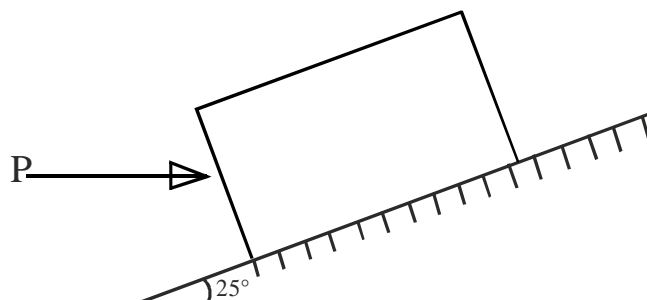
- 
- Instructions :**
- (i) Question Number 1 is compulsory.
  - (ii) Answer any three from the remaining Five
  - (iii) Assume any suitable data wherever required but justify the same.
  - (iv) Figures to the right indicate full marks.
  - (v) Take  $g = 9.81 \text{ m/s}^2$
- 

Q. 1 a) Three concurrent forces  $P=150\text{N}$ ,  $Q=250\text{N}$  and  $S = 300\text{N}$  are acting at  $120^\circ$  with each other. Determine their resultant force magnitude and direction with respect to P. What is their equilibrant ? (4)

b) A prismatic bar AB of length 6m and weight 3 KN is hinged to a wall and supported by a cable BC. Find hinge reaction and tension in cable BC.



c) A Block of weight 800N is acted upon by a horizontal force P as shown in figure. If the coefficient of friction between the block and incline are  $\mu_s = 0.35$  and  $\mu_k = 0.25$ , determine the value of P for impending motion up the plane.



d) A hot air balloon starts rising vertically up from the ground with an acceleration of  $0.2 \text{ m/s}^2$ , 12 seconds later the man sitting inside the balloon releases a stone. Find the time taken by the stone to hit the ground. (4)

e) A small block rests on a turn table, 0.5m away from its centre. The turn table, starting from rest, is rotated in such a way that the block undergoes a constant tangential acceleration. Determine the angular velocity of the turn table at the instant when the block starts slipping  $\mu = 0.4$  (4)

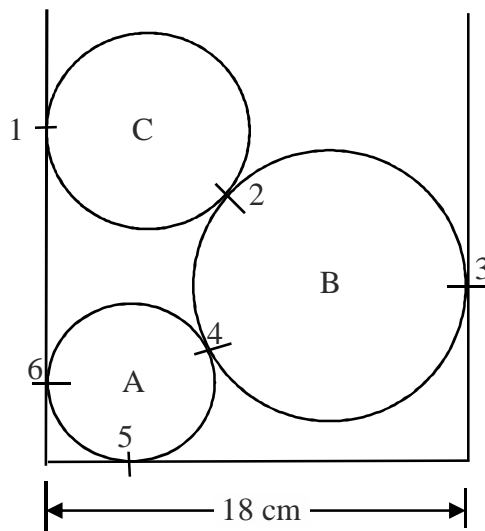
Q.2 a) Three right circular cylinders A, B, C are piled up in a rectangular channel as shown in figure. Determine the reactions at point 6 between the cylinder A and vertical wall of the channel.

Cylinder A : radius = 4cm, mass = 15 kg

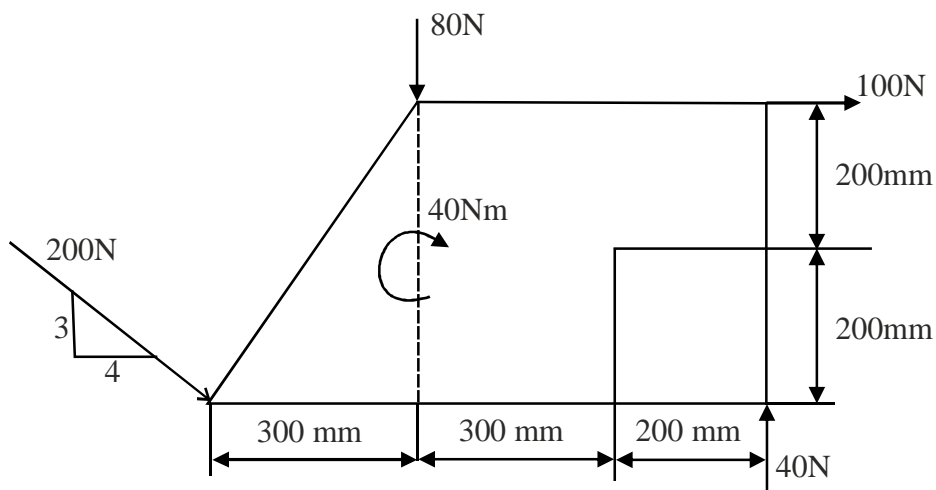
Cylinder B : radius = 6cm, mass = 40 kg

Cylinder C : radius = 5cm, mass = 20 kg

(8)

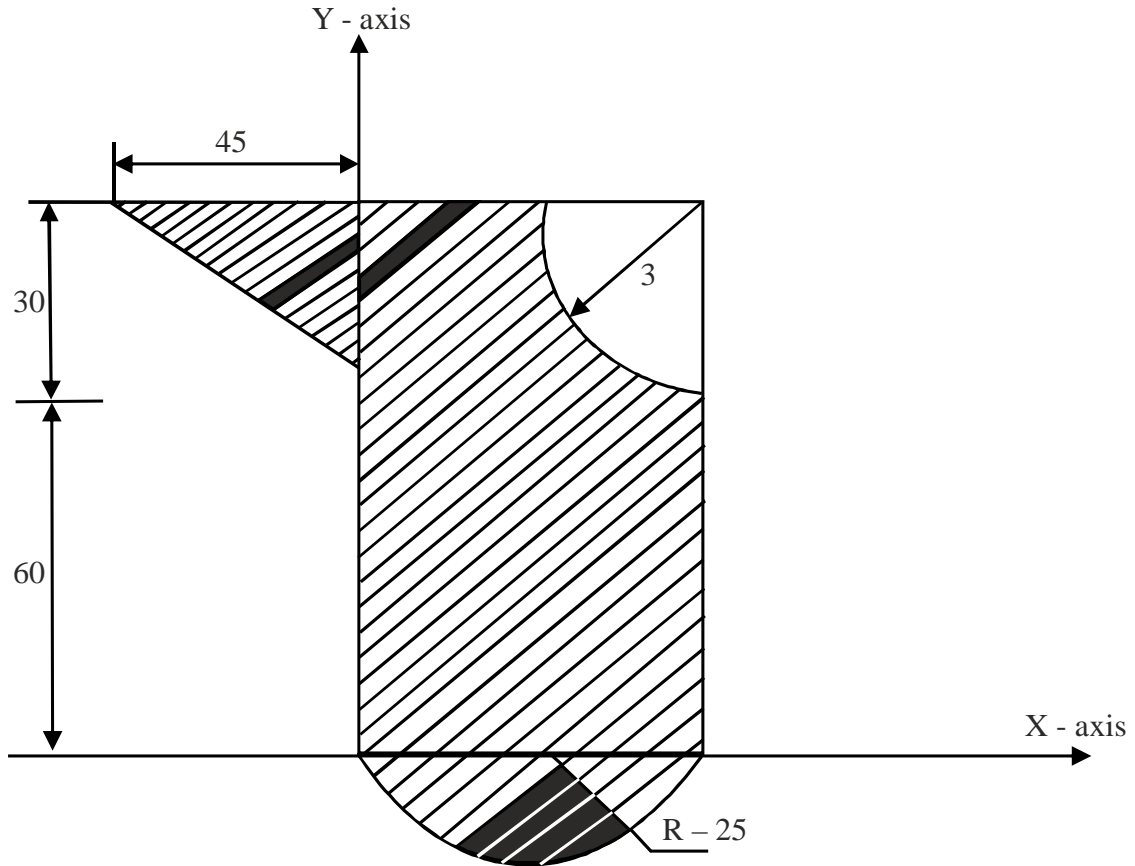


b) Four forces and a couple are acting on a plate as shown in figure, Determine the resultant force and locate it with respect to point A.



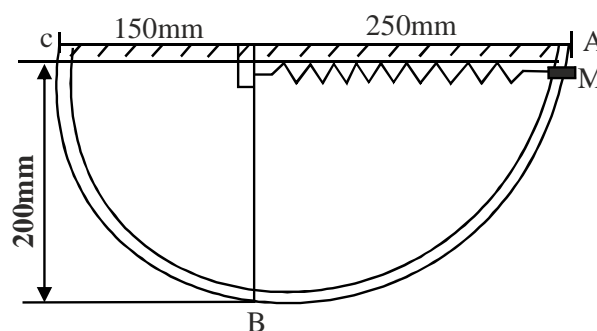
- c) Two balls with masses 20kg and 30 kg are moving towards each other with velocities 10m/s and 5m/s respectively. If after impact the ball having mass 30kg reverses its direction of motion and moves with velocity 6m/s, then determine the coefficient of restitution between the two balls. (6)

Q. 3 a) Determine the Centroid of the shaded area. All dimensions are in mm. (8)

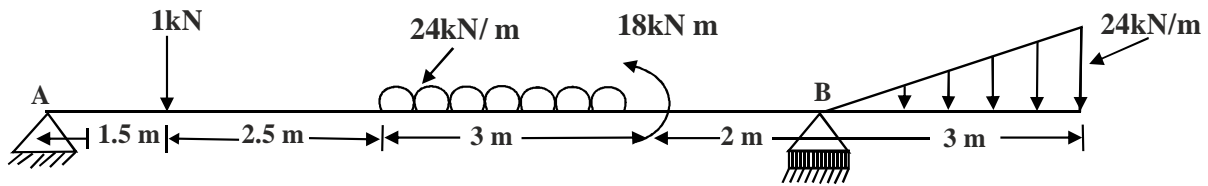


- b) Force 5 kN is acting along AB where A(0,0,-1)m, Another force 8kN is acting along BC where C(3,3,4)m. Find resultant of two forces and find moment of resultant force about a point D(0,3; -2)m. (6)

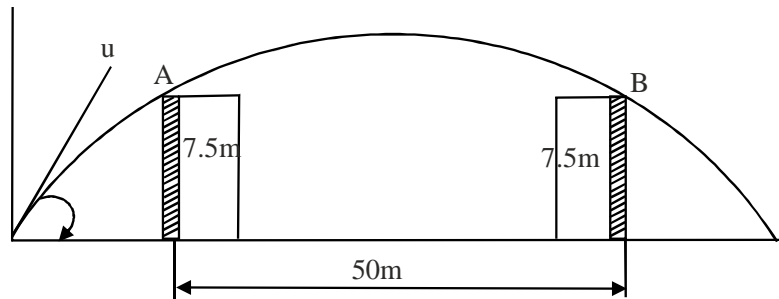
- c) A 2kg collar M is attached to a spring and slides without friction in a vertical plane along the curved rod ABC as shown in figure. The spring has an un-deformed length of 100mm and its stiffness  $k=800\text{N/m}$ . If the collar is released from rest at A, determine its velocity i) as it passes through B ii) as it reaches C



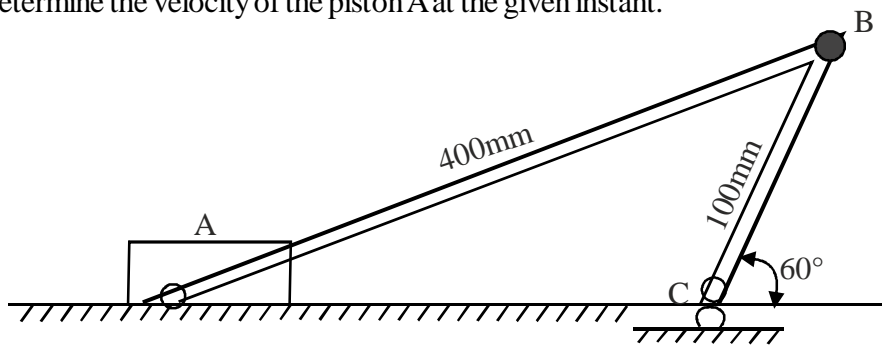
- Q.4. a) Find support reactions at A and B for the beam loaded as shown in figure. A is hinged and B is roller. (8)



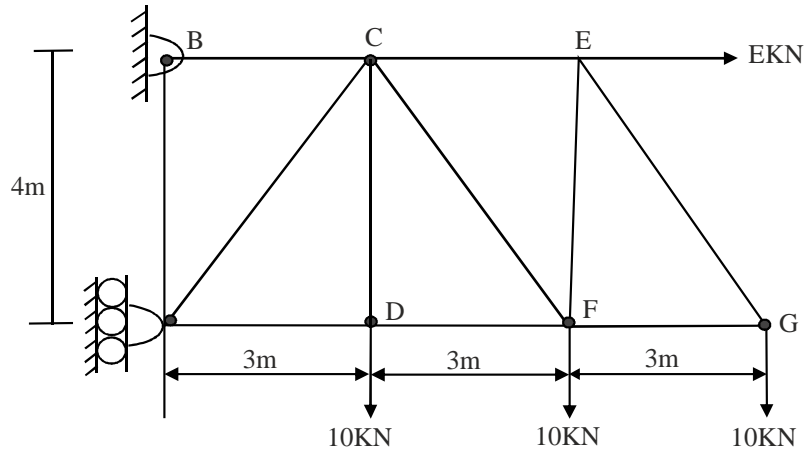
- b) An object is projected so that it just clears two obstacles each of 7.5 m height, which are situated 50 m from each other. If the time of passing between the obstacles is 2.5 s, calculate the complete range of projection and the initial velocity of the projectile. (6)



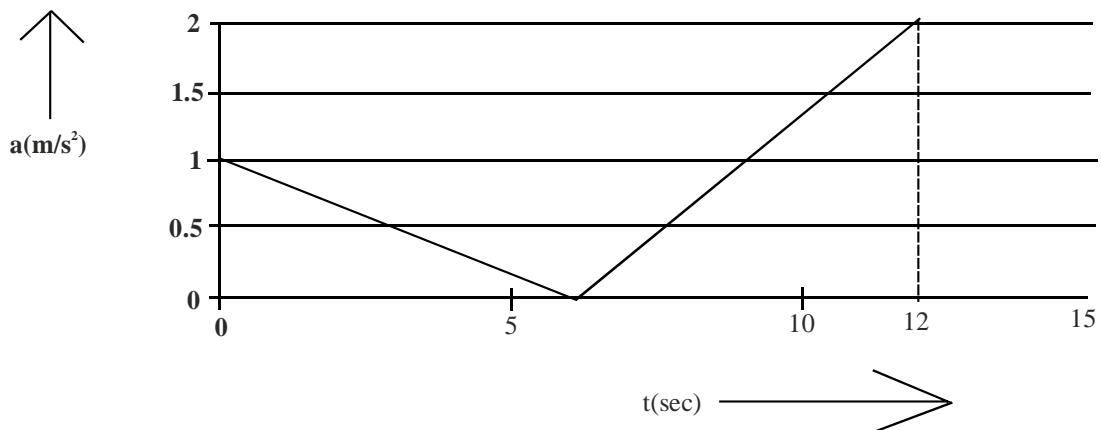
- c) The crank BC of a slider crank mechanism is rotating at constant speed of 30 rpm clockwise. Determine the velocity of the piston A at the given instant. (6)



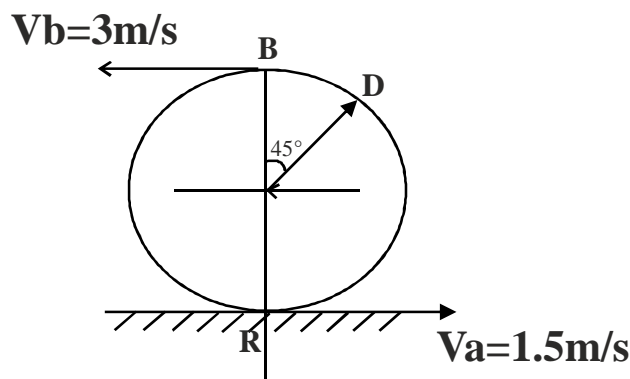
- Q. 5 a) For the truss shown in figure, determine,  
 (i) Support Reactions (2)  
 (ii) Forces in members CE and CF by method of sections only. (2)  
 (iii) Forces in any other four members by method of joints (4)



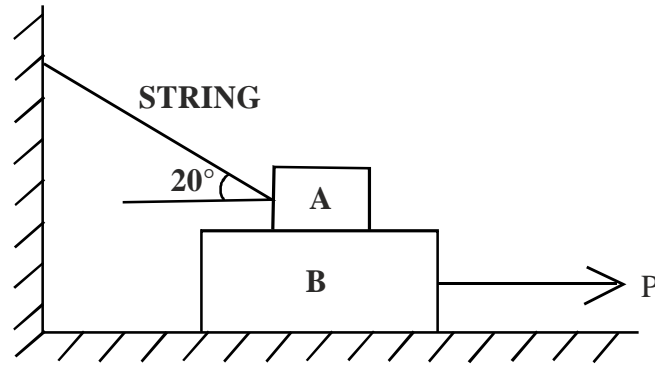
- b) A particle moves in a straight line with acceleration - time diagram. Shown in figure. Construct velocity - time diagram for the motion assuming that the motion starts with initial velocity of 5m/s from the starting point. Also determine its displacement at  $t=12$  seconds. (6)



- c) Due to slipping points A and B on the rim of the disk have the velocities  $V_a = 1.5$  m/s to the right and  $V_b = 3$  m/s to the left as shown in figure. Determine the velocities of the centre point C and point D on the rim at this instant. Take radius of disk 0.24m. (6)



- Q. 6 a) Find force requires to pull block B as shown. Coefficient of friction between A and B is 0.3 and between B and floor is 0.25 Mass of A = 40Kg and B=60Kg (8)



- b) A force acts at the origin in a direction defined by the angles  $\theta_y = 65^\circ$  and  $\theta_z = 40^\circ$ . Knowing that the x-component of the force is  $-750\text{N}$ , determine i) The other components magnitude of the force ii) The value of  $\theta_x$
- c) A particle travels on a circular path, whose distance travelled is defined by  $S = (0.5t^3 + 3t)\text{m}$ . If the total acceleration is  $10\text{ m/s}^2$ , at  $t = 2\text{ sec}$ , find its radius of curvature (4)
- d) Block A and B of mass  $6\text{kg}$  and  $12\text{kg}$  respectively are connected by a string passing over a smooth pulley. Neglect mass of pulley. If coefficient of kinetic friction between the block A and the inclined surface is  $0.2$ , determine the acceleration of block A and block B. (4)

