

Installation Instructions



Installing Doubler in the Valve Box

1. Connect **white** wire to the same field **common** as your valves.
2. Connect **black** wire to the **station/hot** wire that runs from the controller (disconnect from any valves).
3. Connect one **red** wire to the hot of the **first valve** and the other **red** wire to the hot of the **second valve**.

Be sure to waterproof all wire connections!

At the Controller

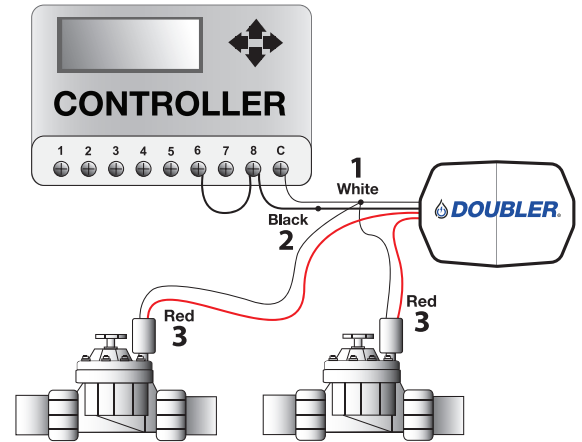
Option 1

Locate the station with the hot wire going to your Doubler. Simply connect a jumper wire between this station and another open station of your choice then set your watering times.

***On digital controllers these stations should not be in sequence.** (see tooltip below)

Option 2

If an open station is not available - one station may be used twice. Simply program the same station number to water again on Program B. (i.e. Station 6 would be set to water on both programs A and B) Set your watering times and a Program B start time.



Congratulations you have now installed your DOUBLER!



On digital controllers, we recommend you skip a station for reliable operation. Some digital controllers can switch so quickly that the next station will power up before the last station has powered down.

Doubler will not detect the voltage drop it uses to switch in these cases.

For controllers equipped with the station delay feature - you may program the station delay in lieu of skipping stations.

Testing

- ⚡ Once installed, activate the Doubler stations in sequence to be sure unit is operating properly.
- ⚡ After servicing/testing of system or if valves become reversed, turn the last Doubler station on and off until correct valve is watering. This will put the Doubler back into the correct sequence.
(i.e. if Doubler is installed on station 6 and station 8, turn station 8 on and off until the correct valve is watering)

Dual Programming

To water the two Doubler valves on different days, you will need two stations and two programs:

- ⚡ Install a jumper wire from your Doubler hot wire station to an open station.
- ⚡ On Program A - Set a watering time for the first valve to water and a minimum time on the second station.
- ⚡ On Program B - Set a watering time for your second valve to water and a minimum time on the first station.

(i.e. if station 6 valve is to water on Program A and station 8 is to water on Program B schedule - on Program A, set watering time on station 6 and minimum time on station 8. On Program B, set a watering time on station 8 and a minimum time on station 6)

Setting the minimum station times will automatically reset the Doubler back into the correct sequence for the next watering cycle.