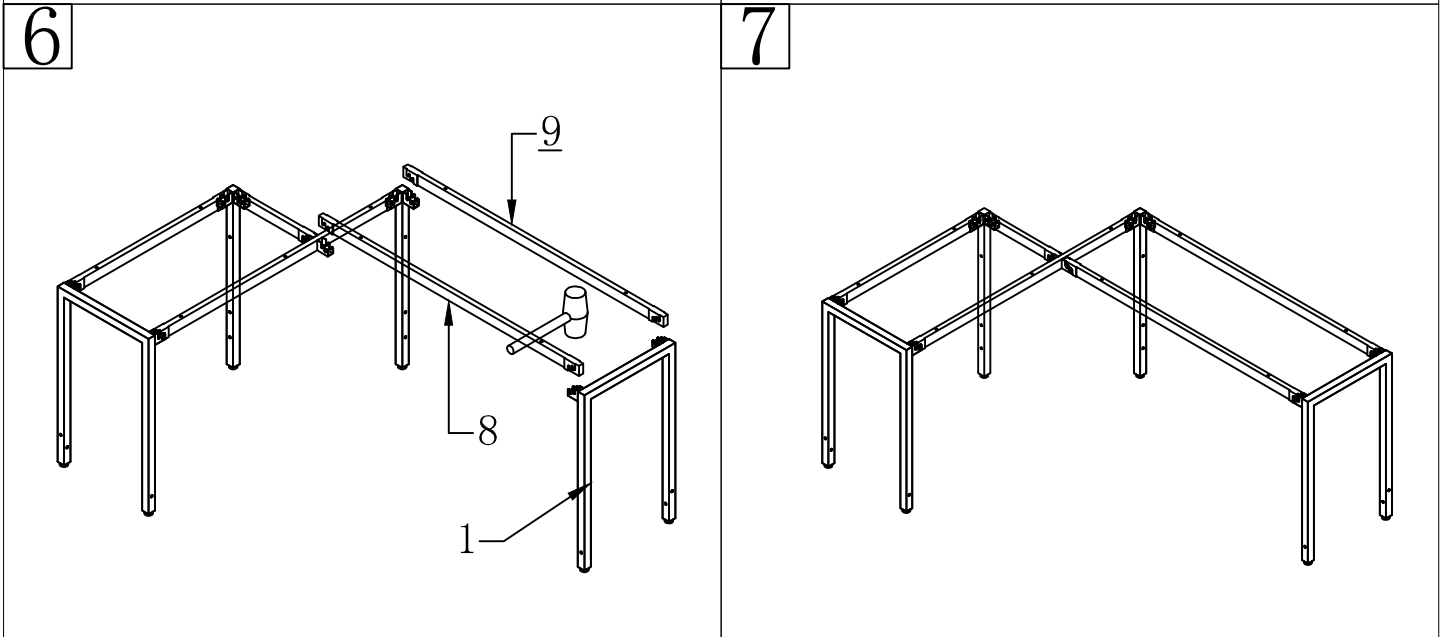
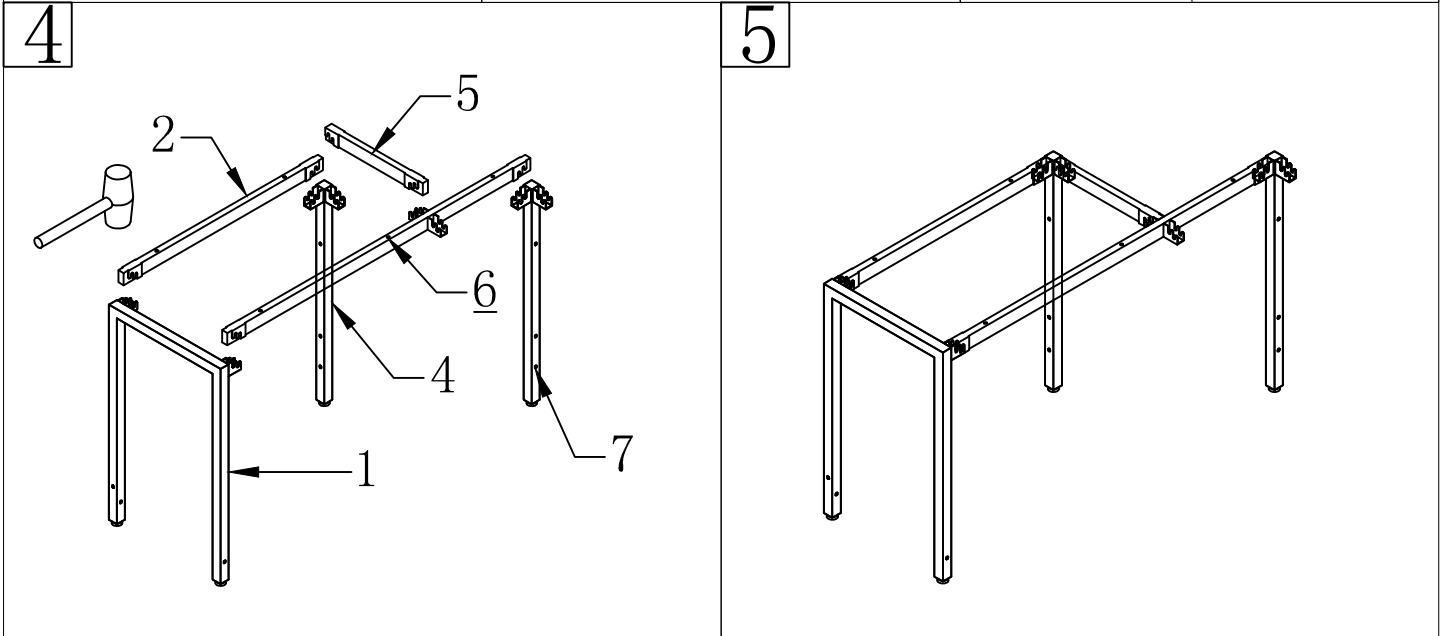
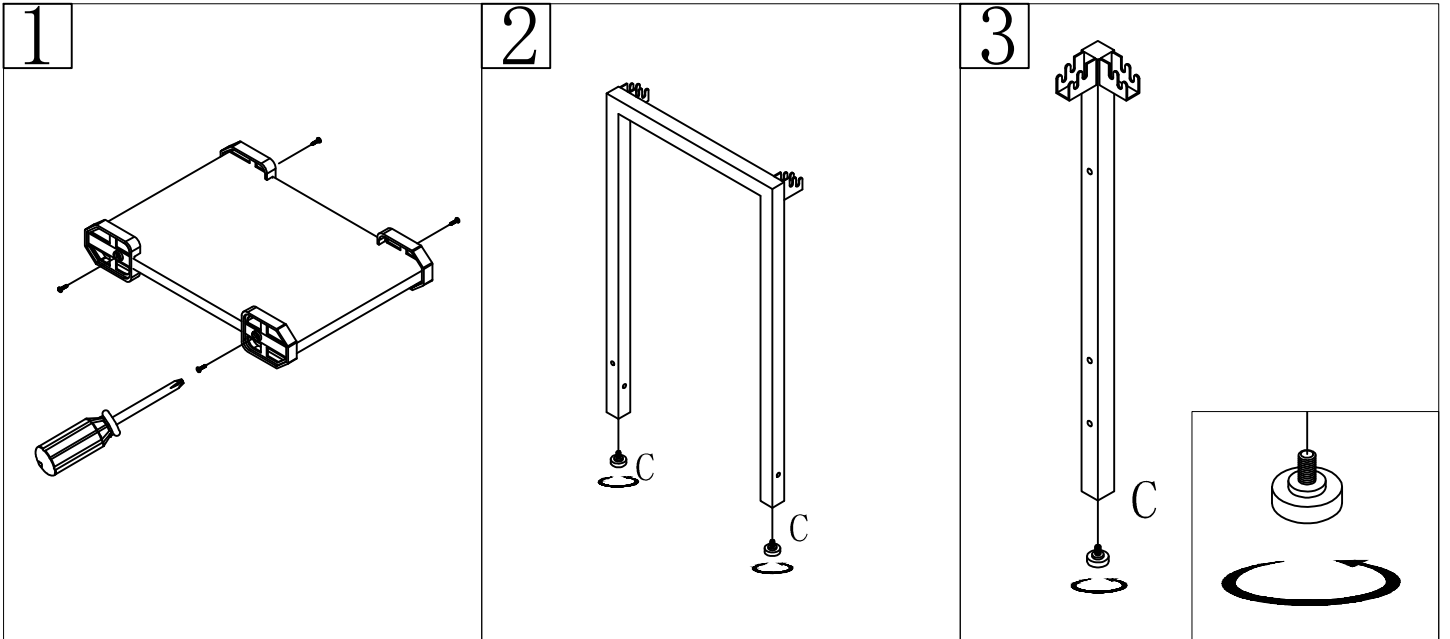
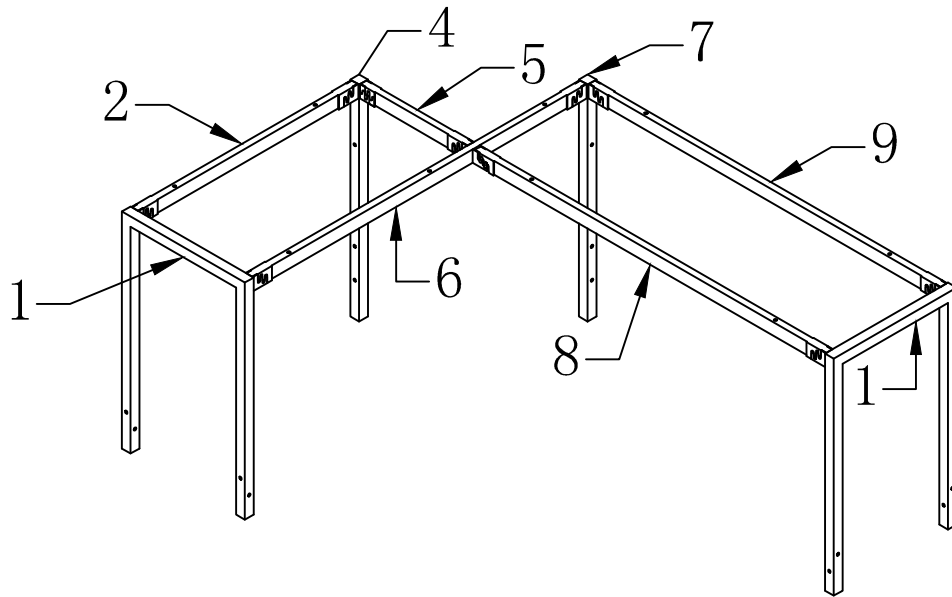


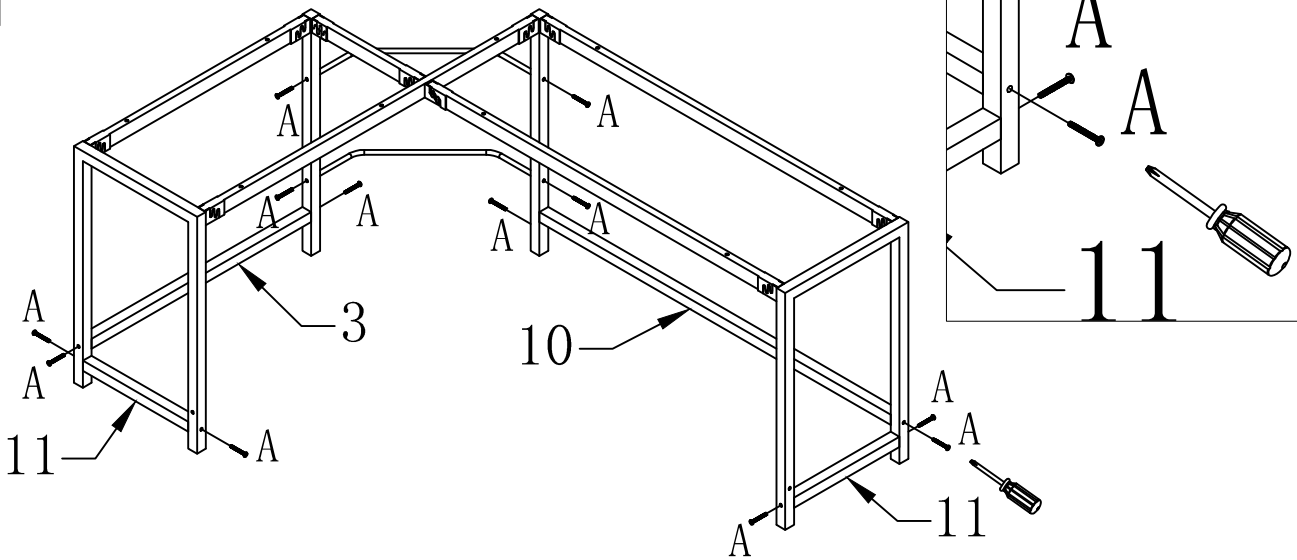
		<p>A*12</p> <p>6*45</p>	<p>B*9</p> <p>6*50</p>	
		<p>C*6</p>	<p>D*1</p>	
<p>E*4</p>	<p>F*4</p>	<p>G*1</p>	<p>1*2</p>	<p>2*1</p>
<p>3*1</p>	<p>4*1</p>	<p>5*1</p>	<p>6*1</p>	<p>7*1</p>
<p>8*1</p>	<p>9*1</p>	<p>10*1</p>	<p>11*2</p>	<p>12*1</p>
<p>13*1</p>	<p>14*1</p>			



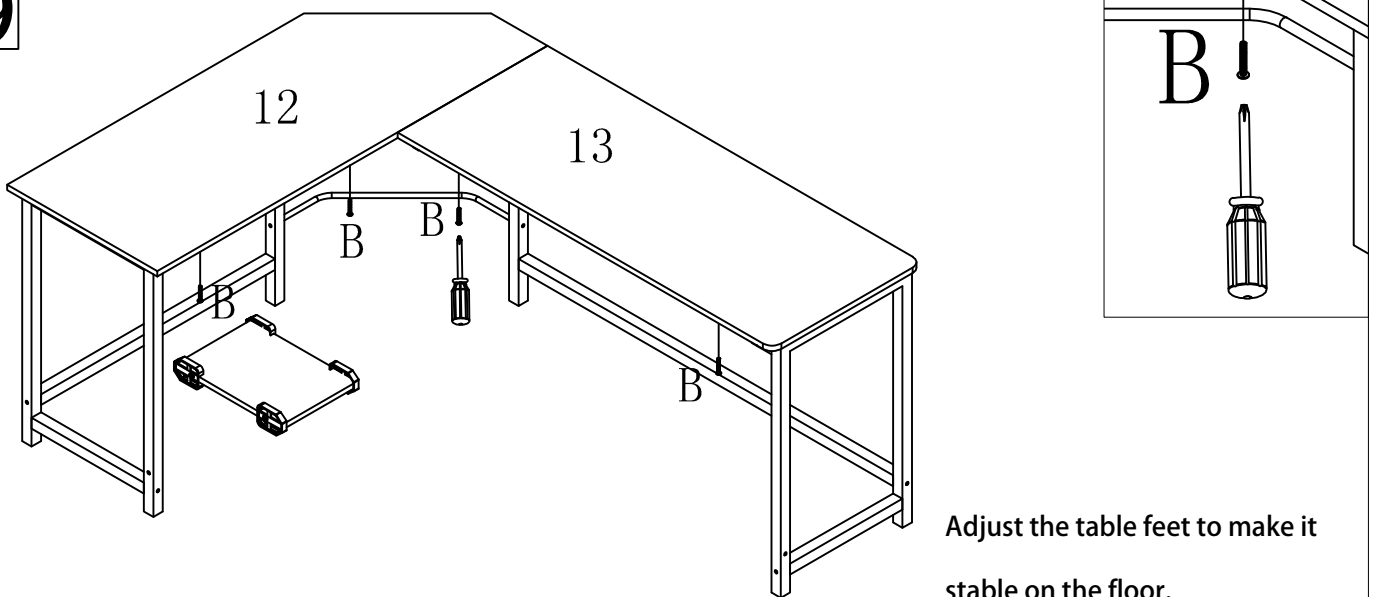
7



8



9



Adjust the table feet to make it stable on the floor.