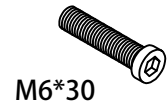


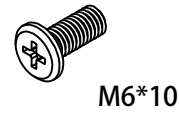
A*6



B*4



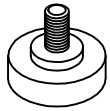
C*4



D*2



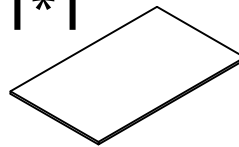
E*4



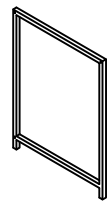
F*1



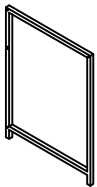
1*1



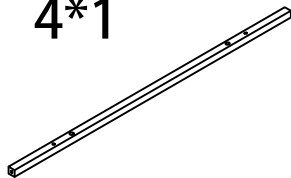
2*1



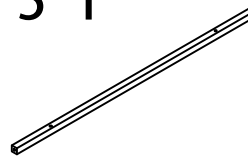
3*1



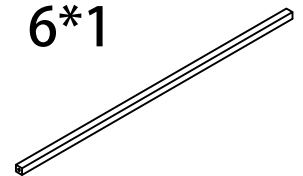
4*1



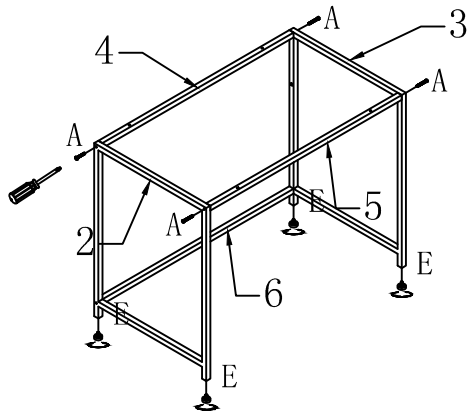
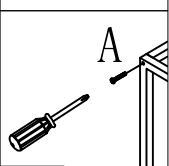
5*1



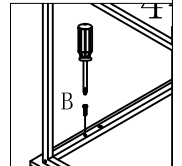
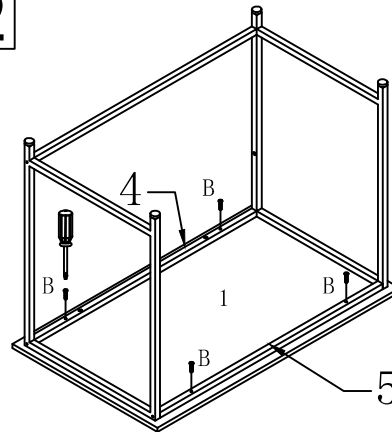
6*1



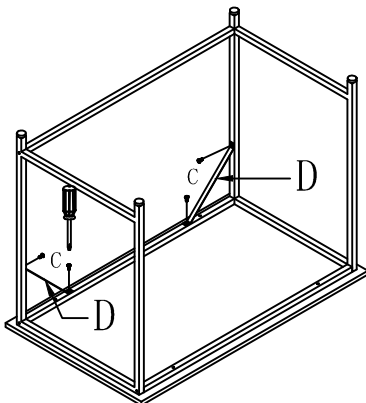
1



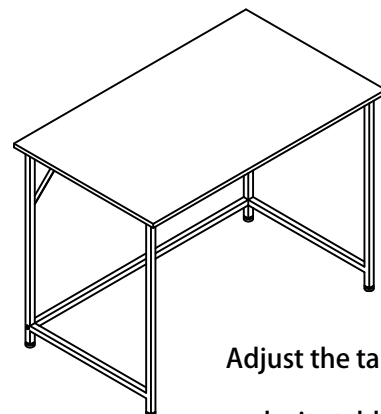
2



3



4



Adjust the table feet to make it stable on the floor.