



**FINEBOARD™**  
FINE THINGS IN LIFE

FB-DR05

FB-DR05-BK

# ASSEMBLY INSTRUCTIONS

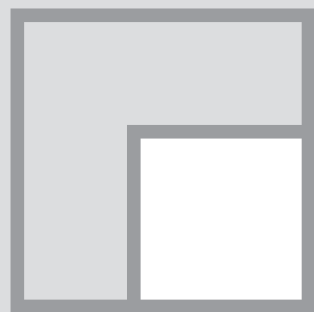


IN LIFE

FINE THINGS

# Welcome

to



**FINEBOARD™**

FINE THINGS IN LIFE

Congratulations on your purchase of our top quality furniture. We prioritize your satisfaction and we believe in the value of quality and reliability.

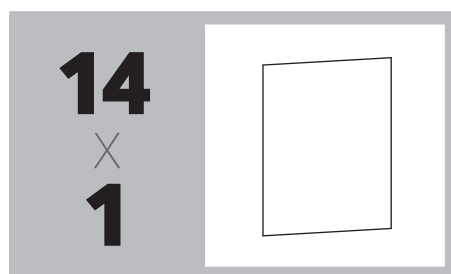
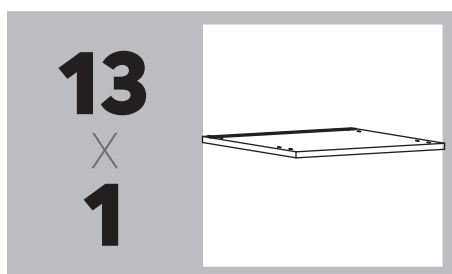
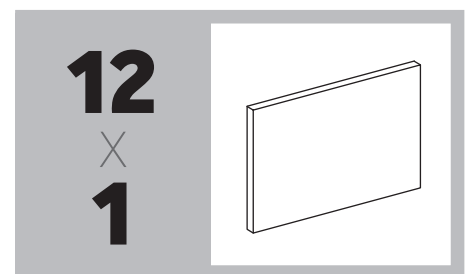
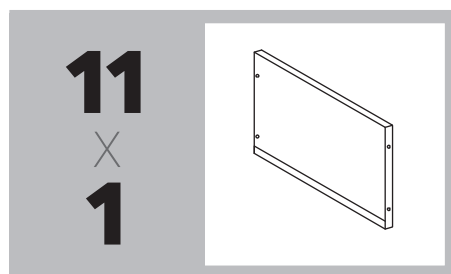
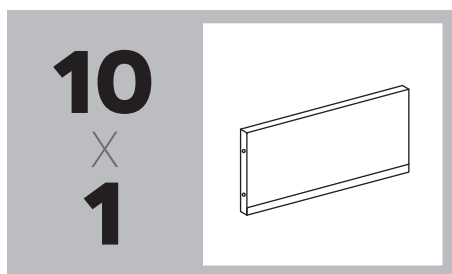
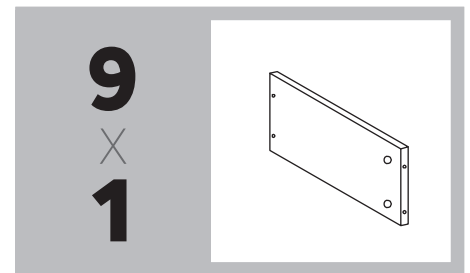
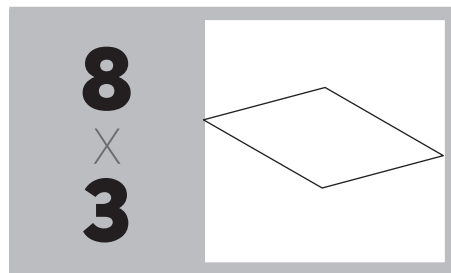
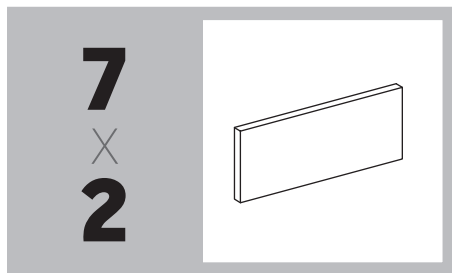
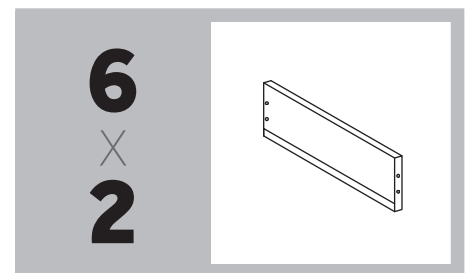
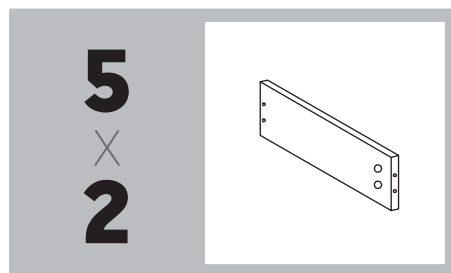
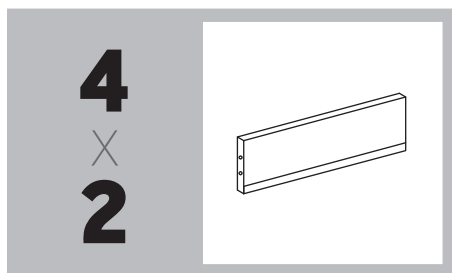
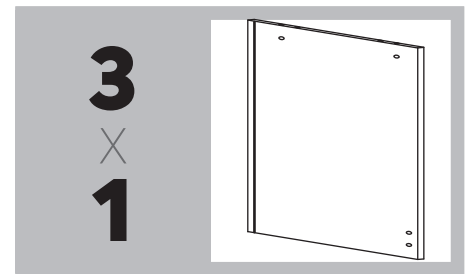
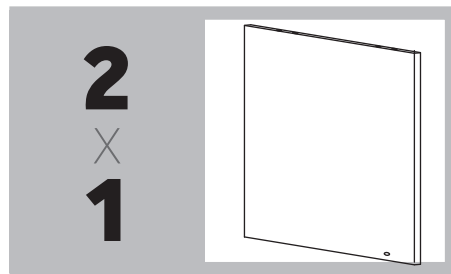
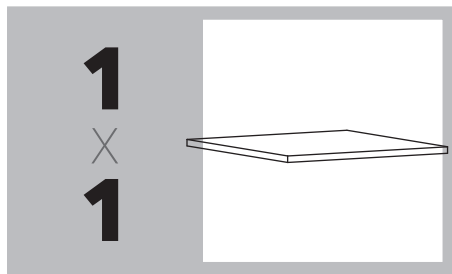
Please take the time to read every step in this manual to avoid any issues when you assemble the contents of the package. Make sure that all parts are included and do not hesitate to contact us if you have any questions.

Our support team is ready to help if any of the parts listed in the instructions are missing. Any damaged parts should also be reported to our customer service department. Remember that your satisfaction is important to us and we are here to help.

For any concerns about your purchase, or to request missing, lost or broken parts, or for any other customer service issues, please send an email to:  
**support@fineboard.com**

And we will get back to you in less than one business day.

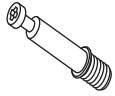
# PartList





# PartList

**A**  
×  
**16**



**B**  
×  
**16**



**C**  
×  
**4**



**D**  
×  
**3**



**E**  
×  
**58**



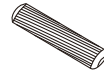
**F**  
×  
**3**



**G**  
×  
**6**



**H**  
×  
**8**



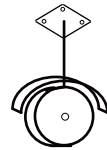
**I**  
×  
**3**



**J**  
×  
**4**



**K**  
×  
**4**



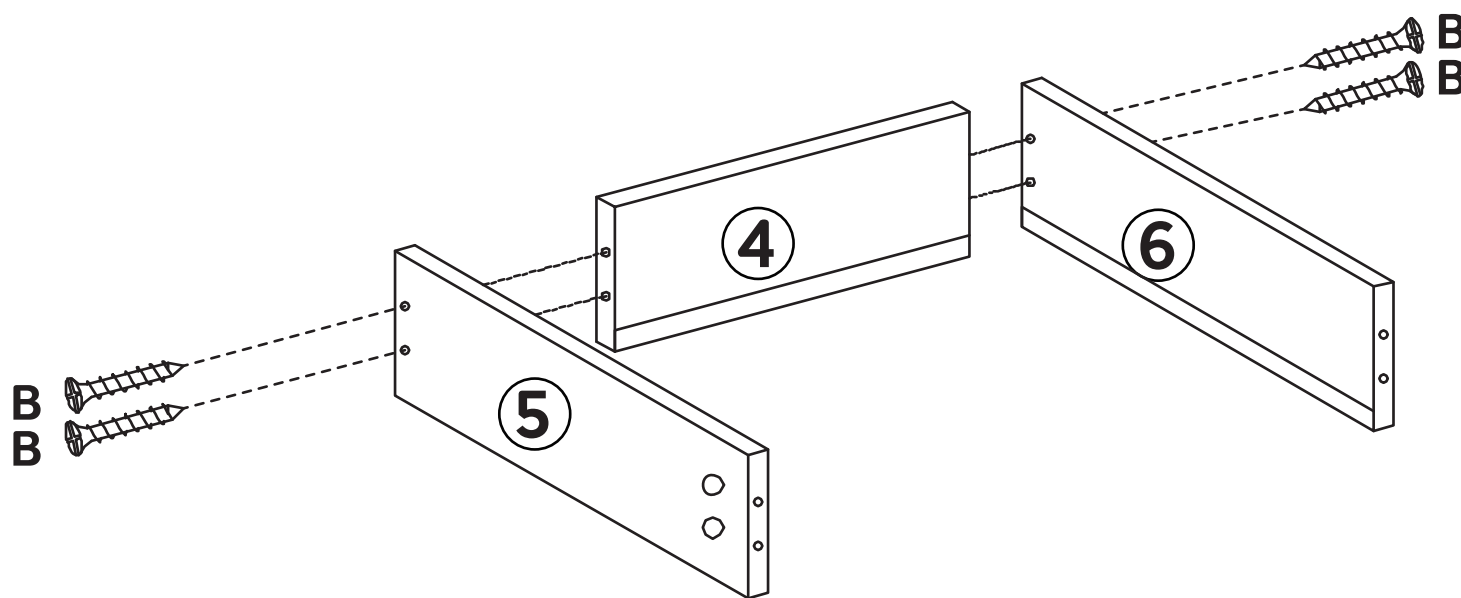
**L**  
×  
**1**



**M**  
×  
**12**

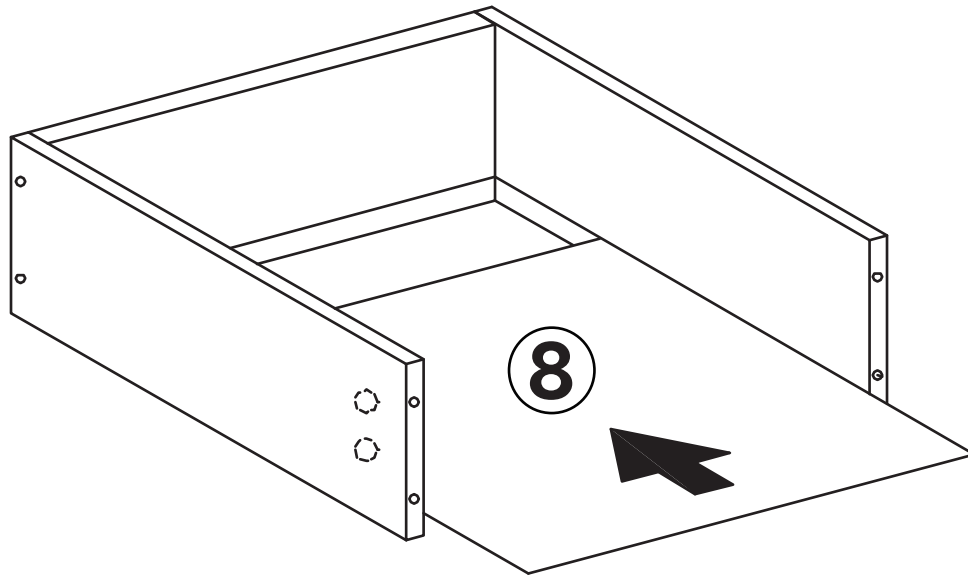


# Step 1

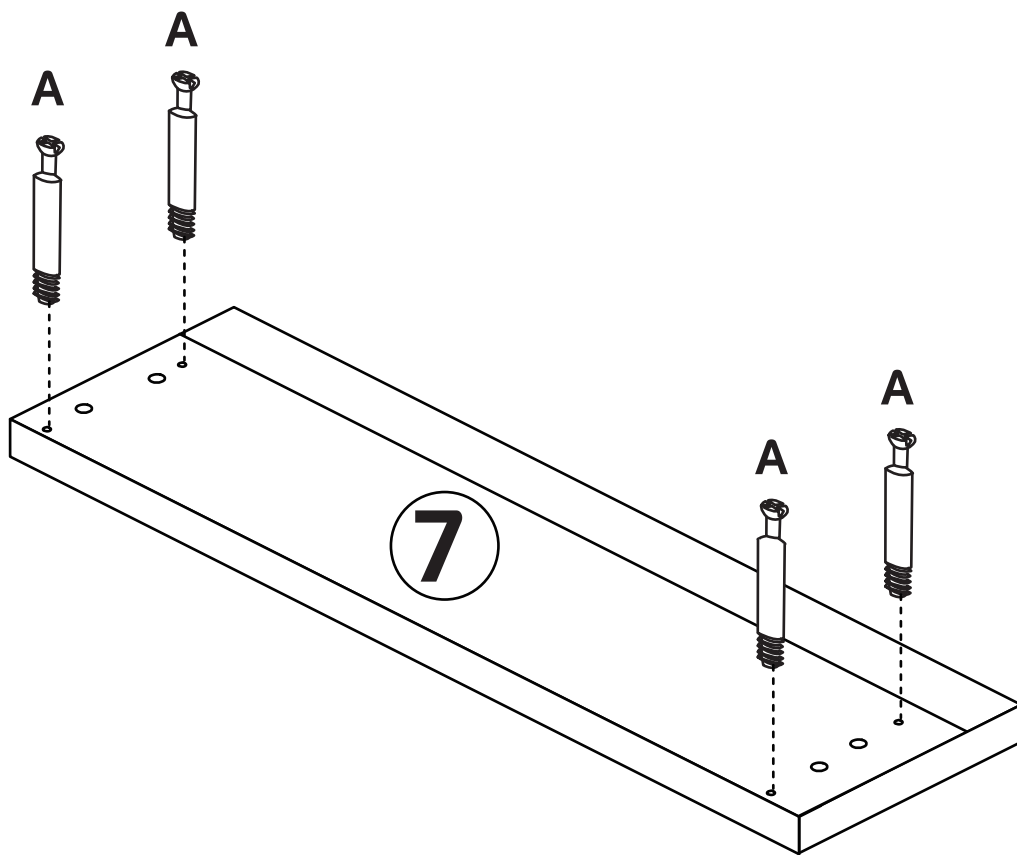




# Step 2

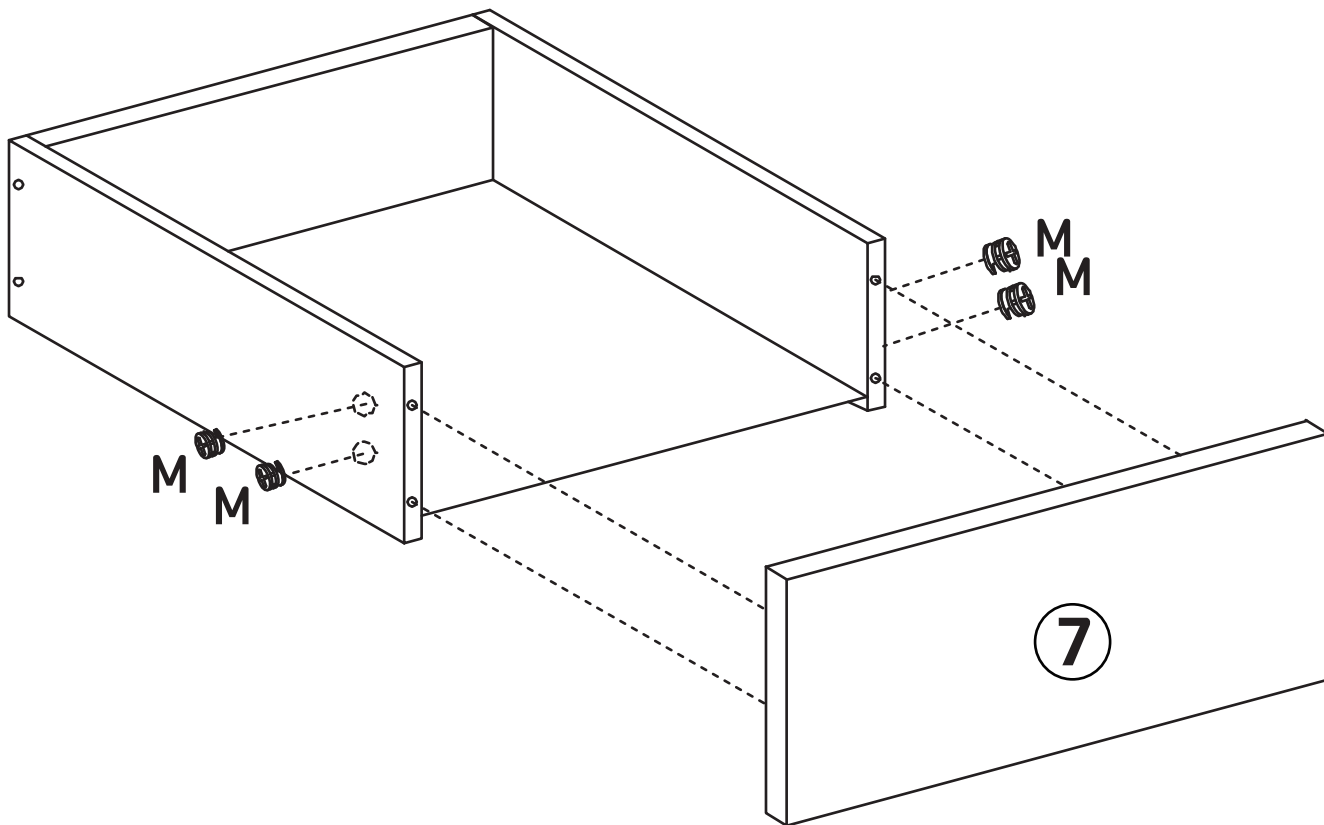


# Step 3

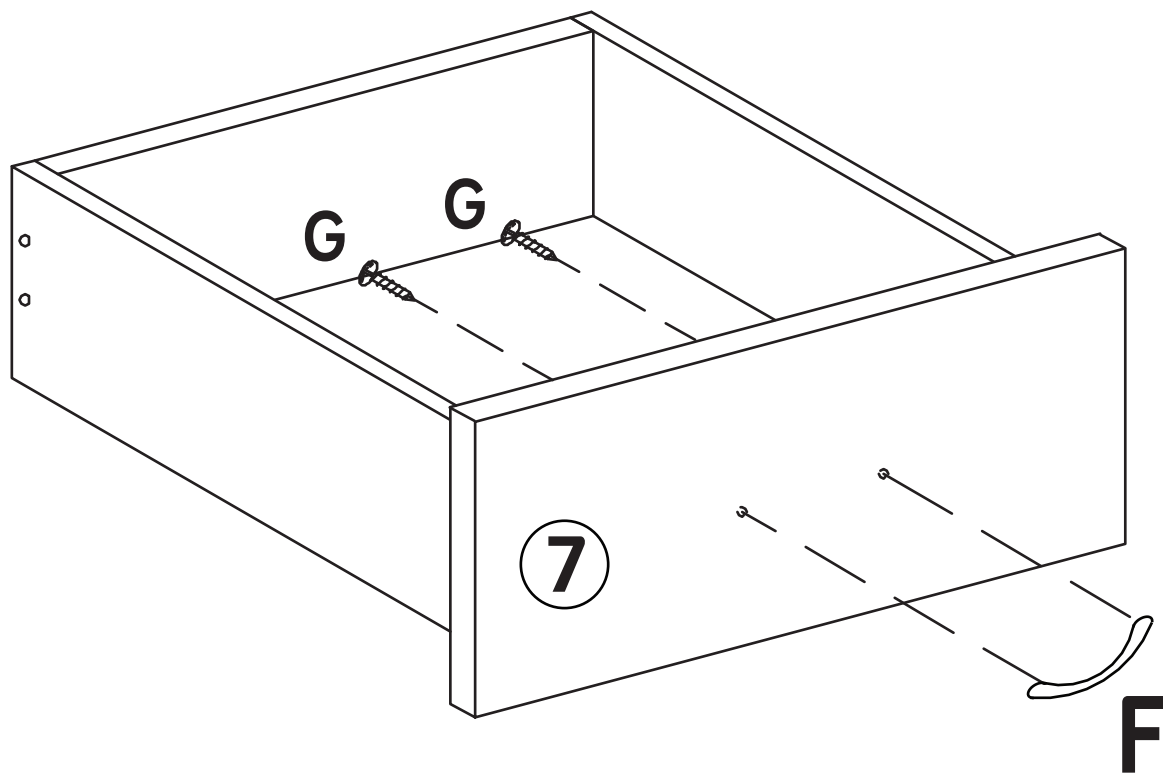




# Step 4

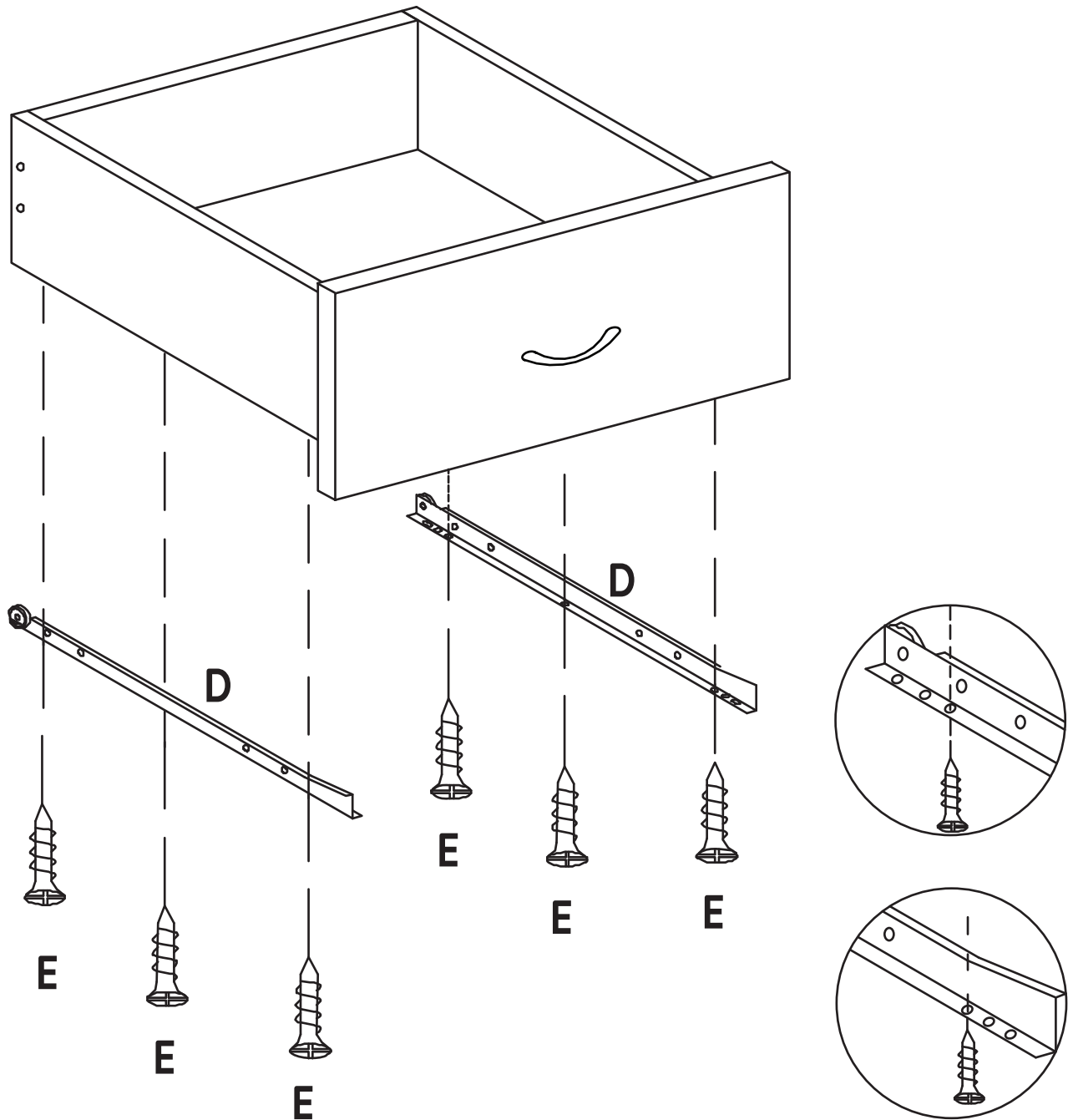


# Step 5



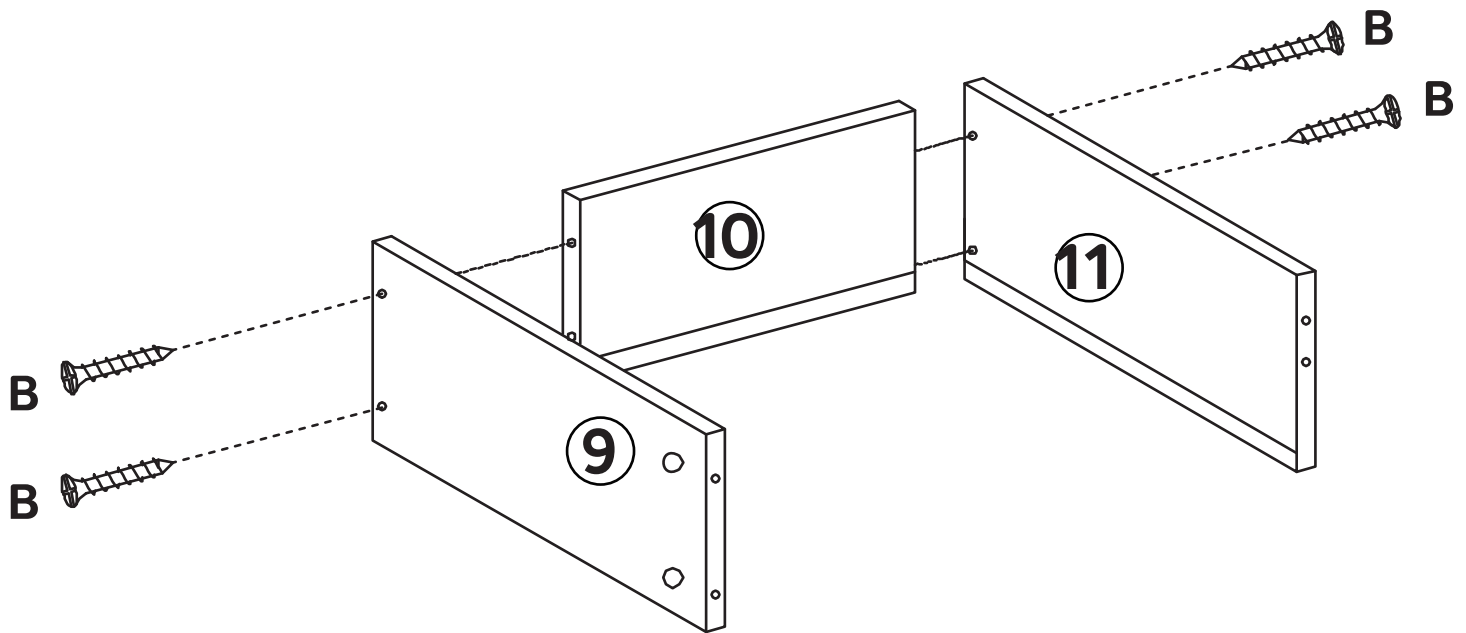


# Step 6



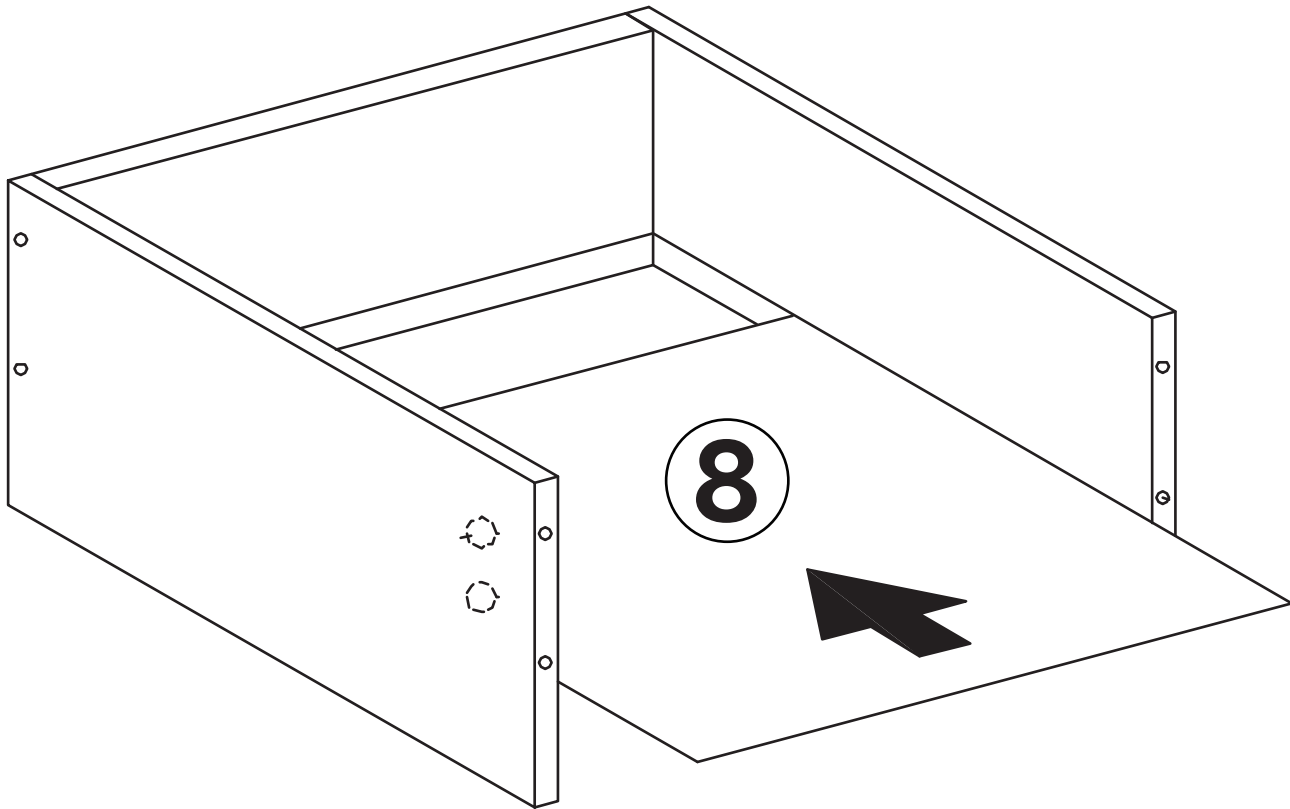
**Repeat from step 1 to step 6 Twice**

# Step 7

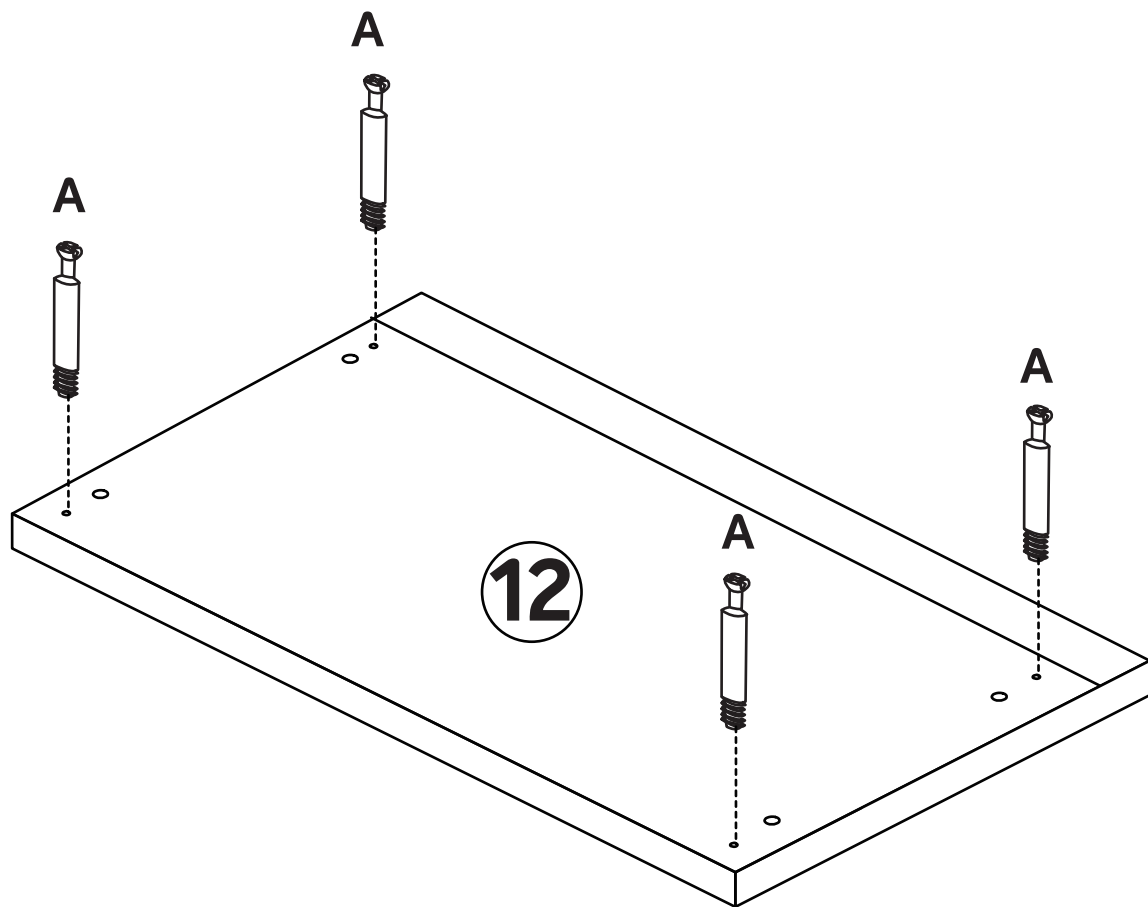




# Step 8

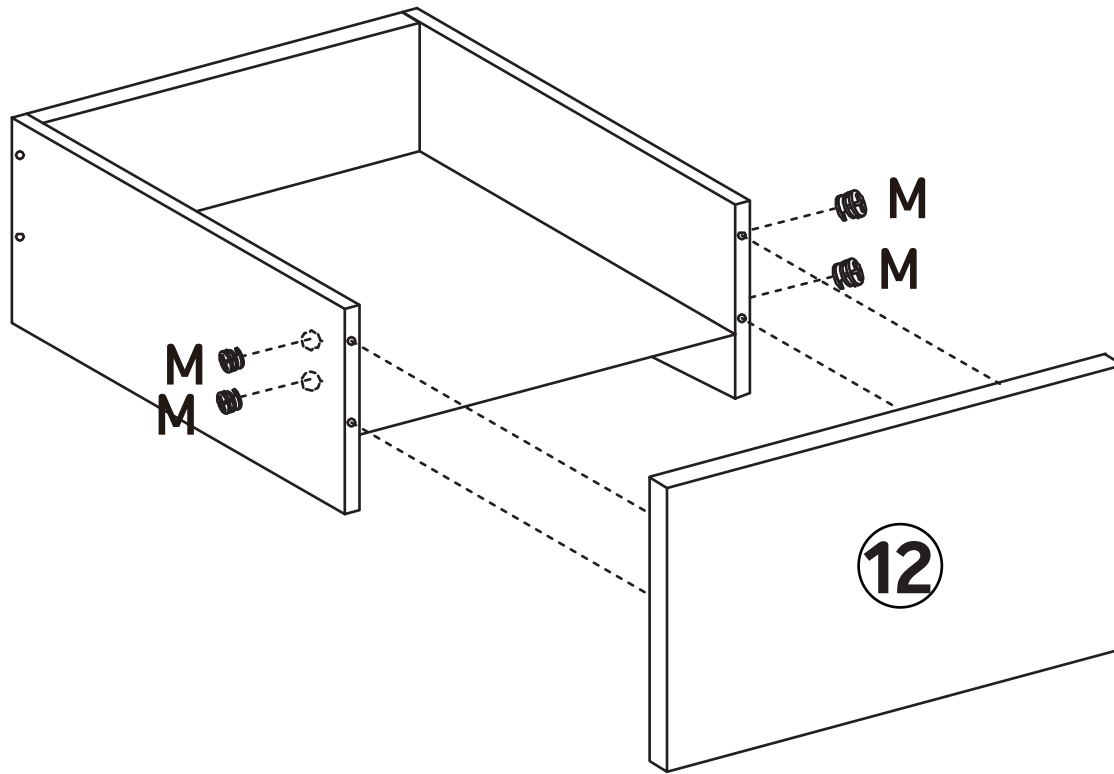


# Step 9

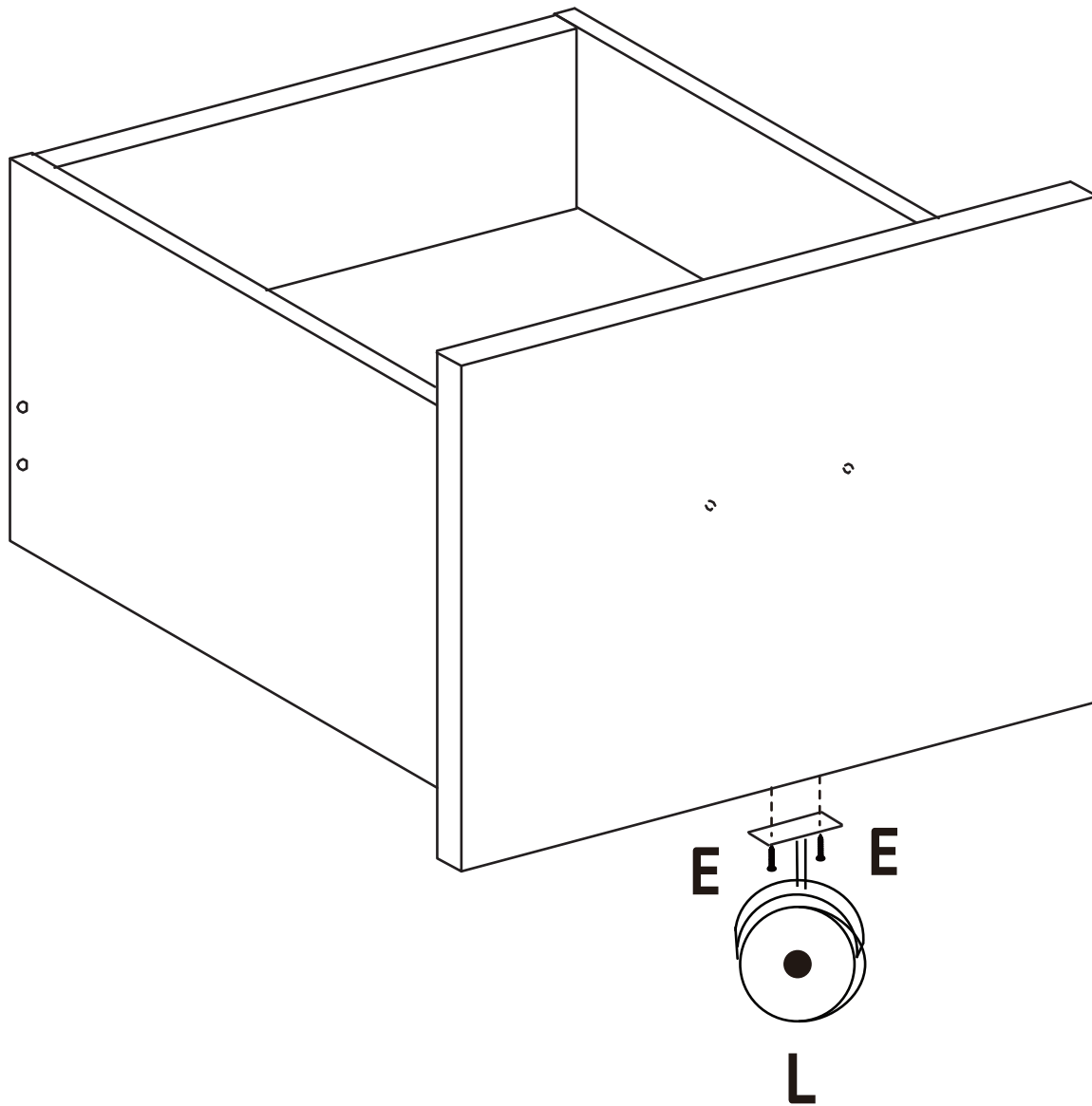




# Step 10

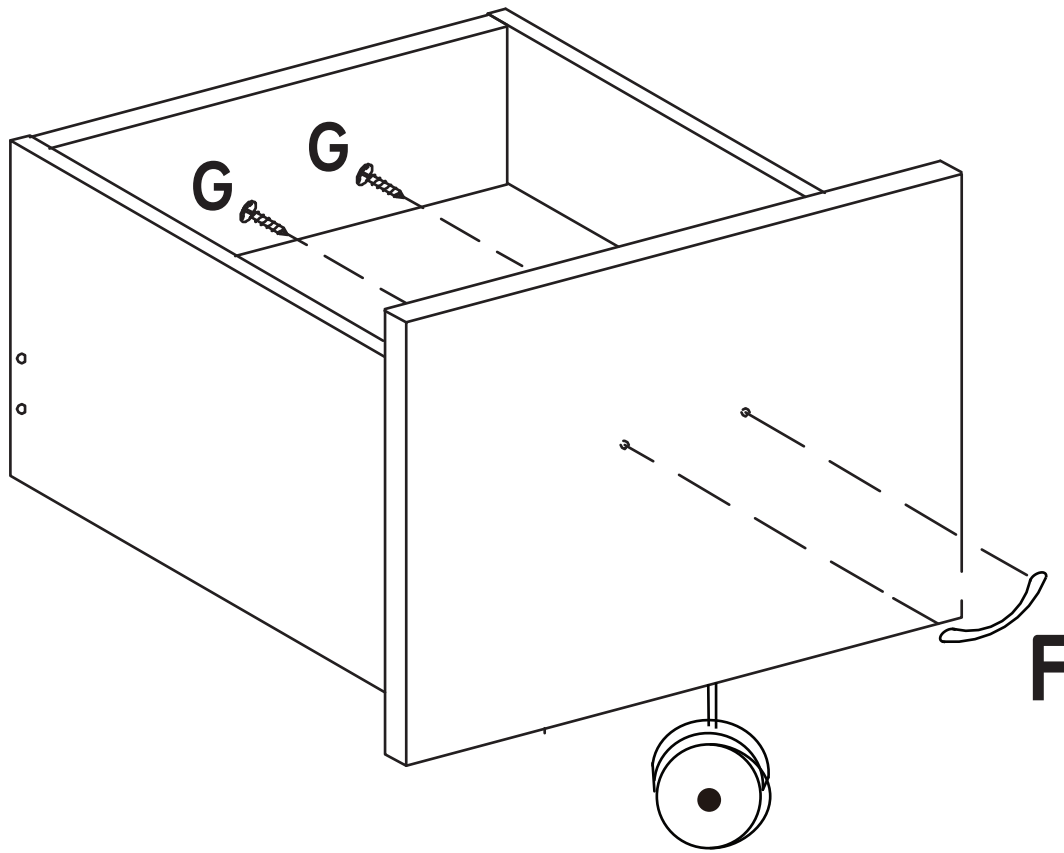


# Step 11

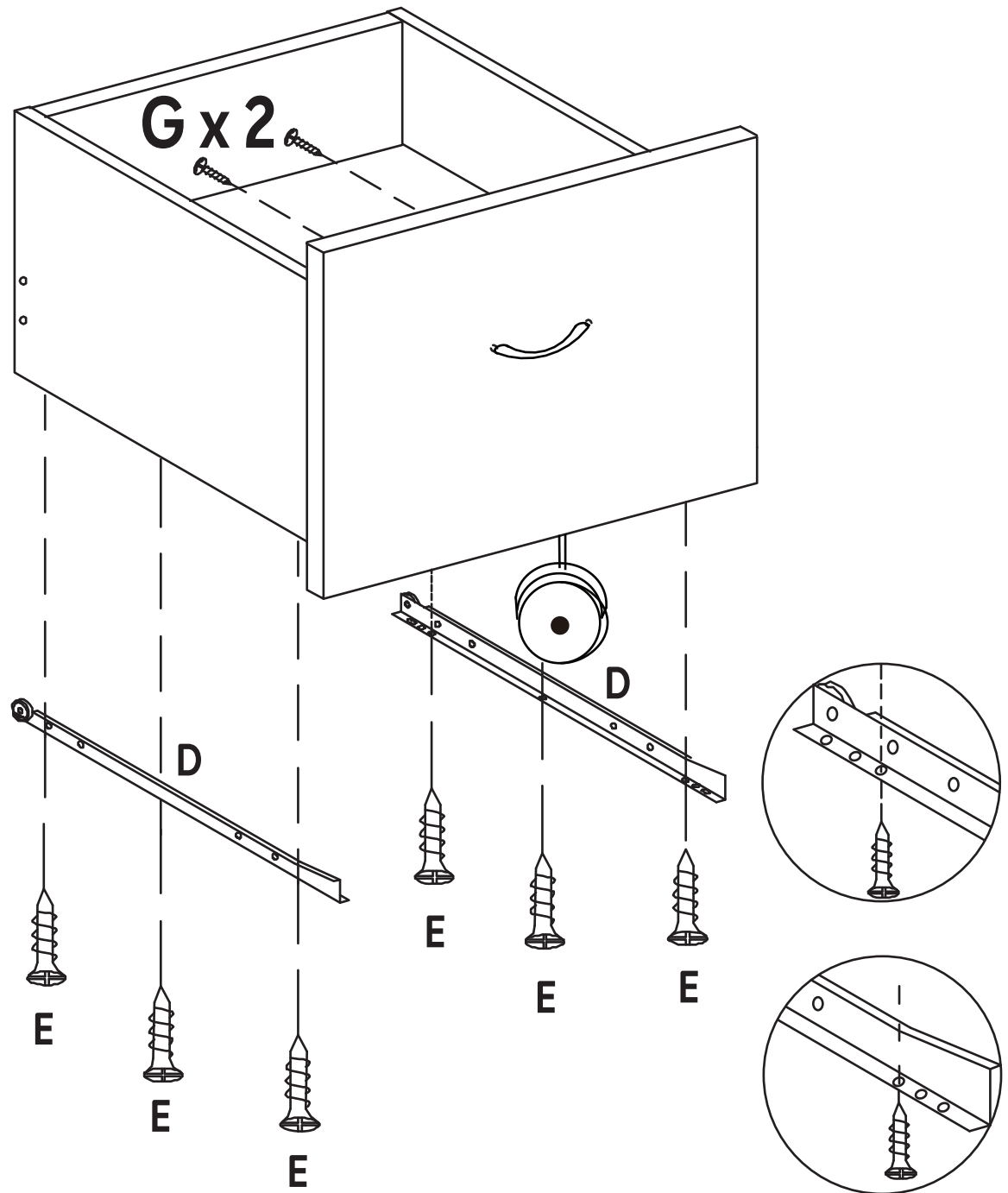




# Step 12

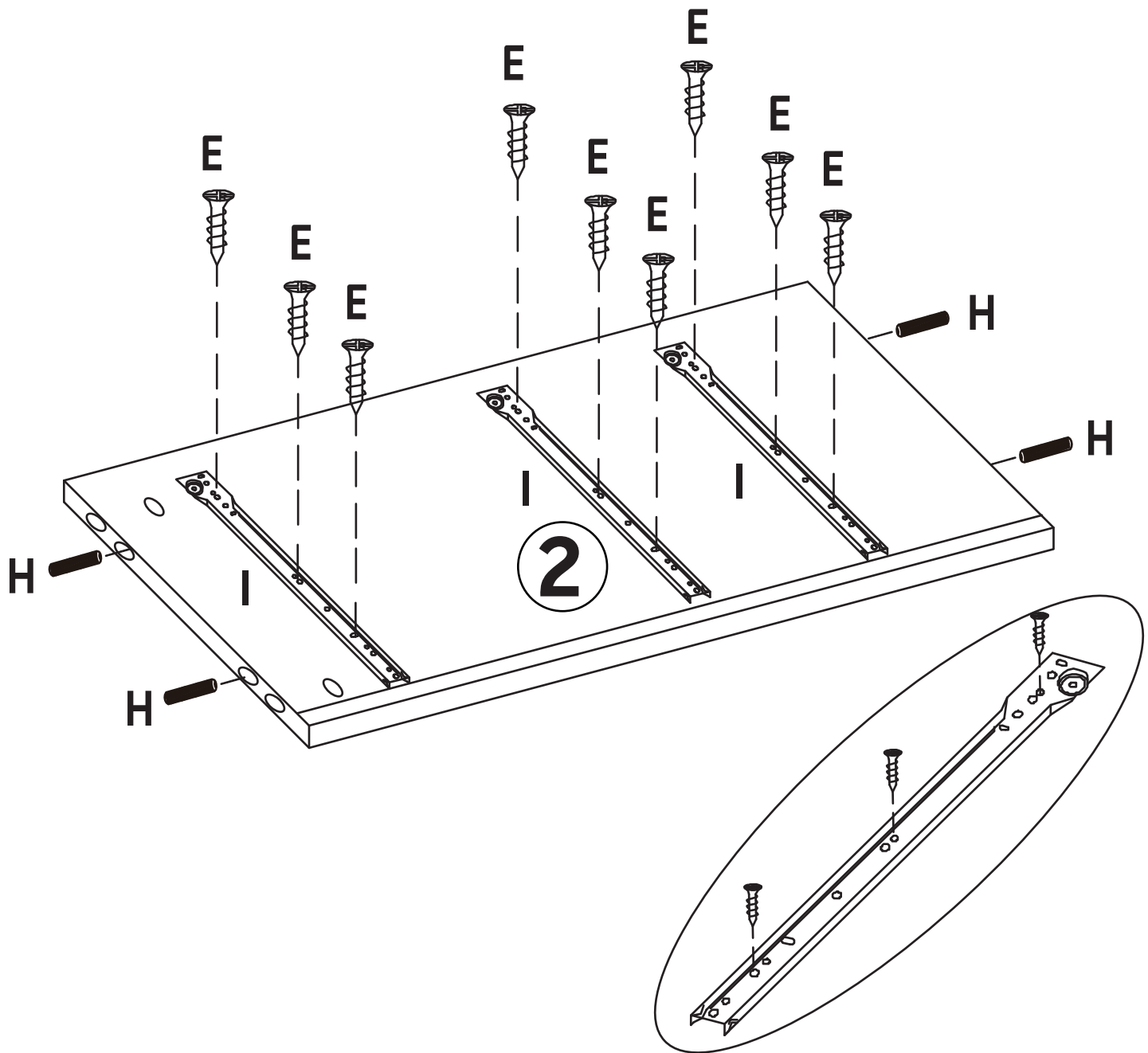


# Step 13

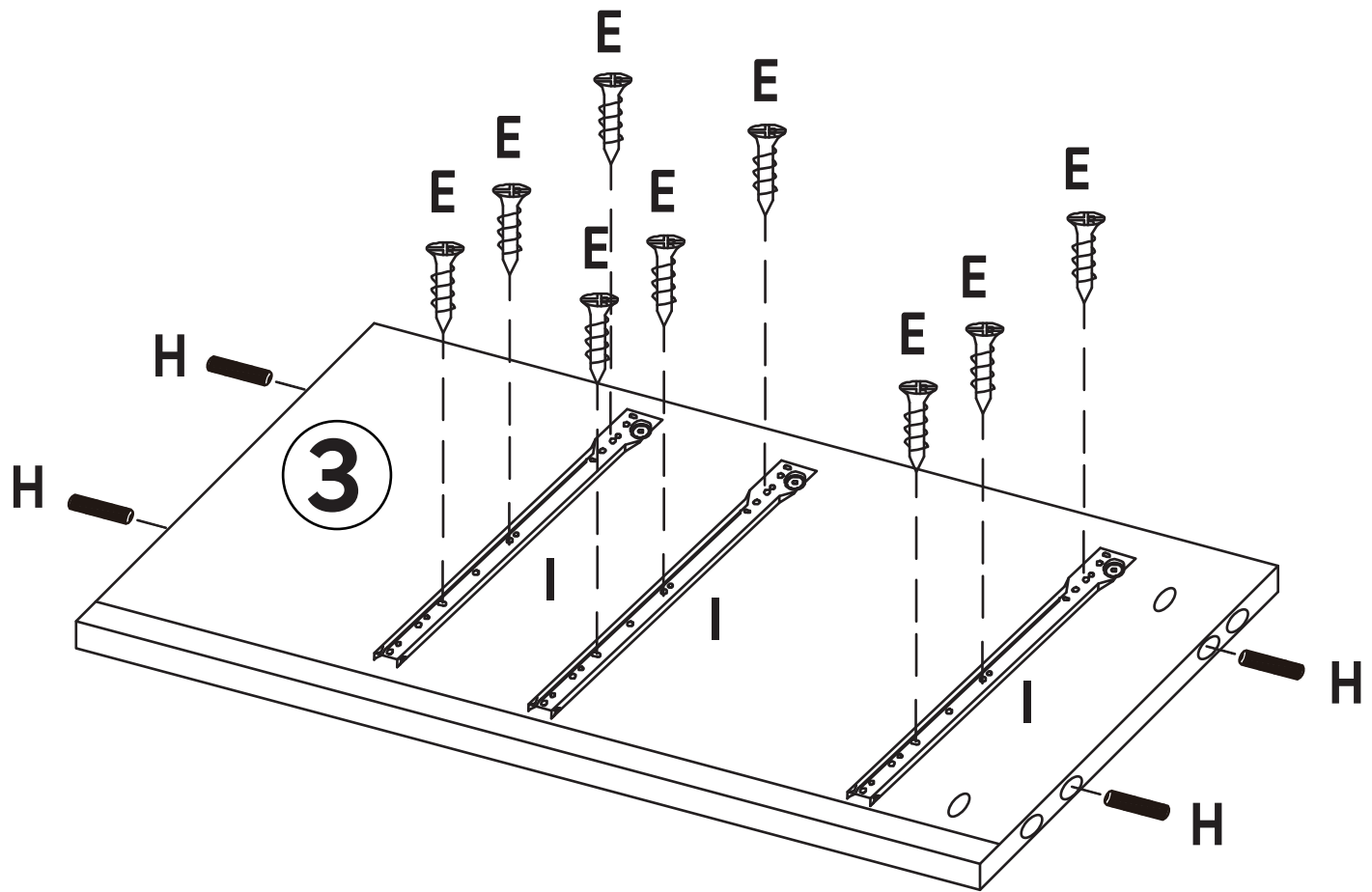




# Step 14

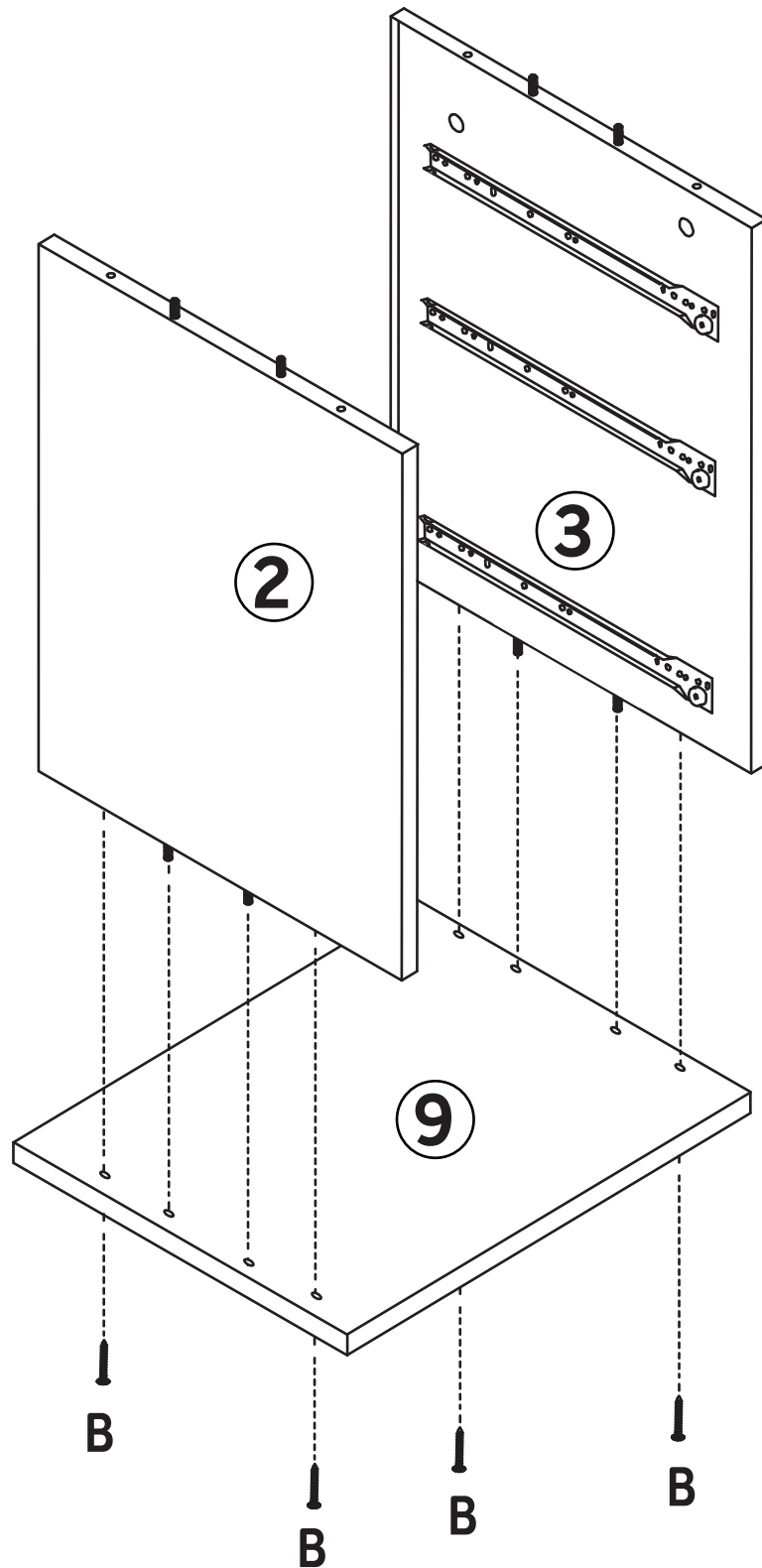


# Step 15

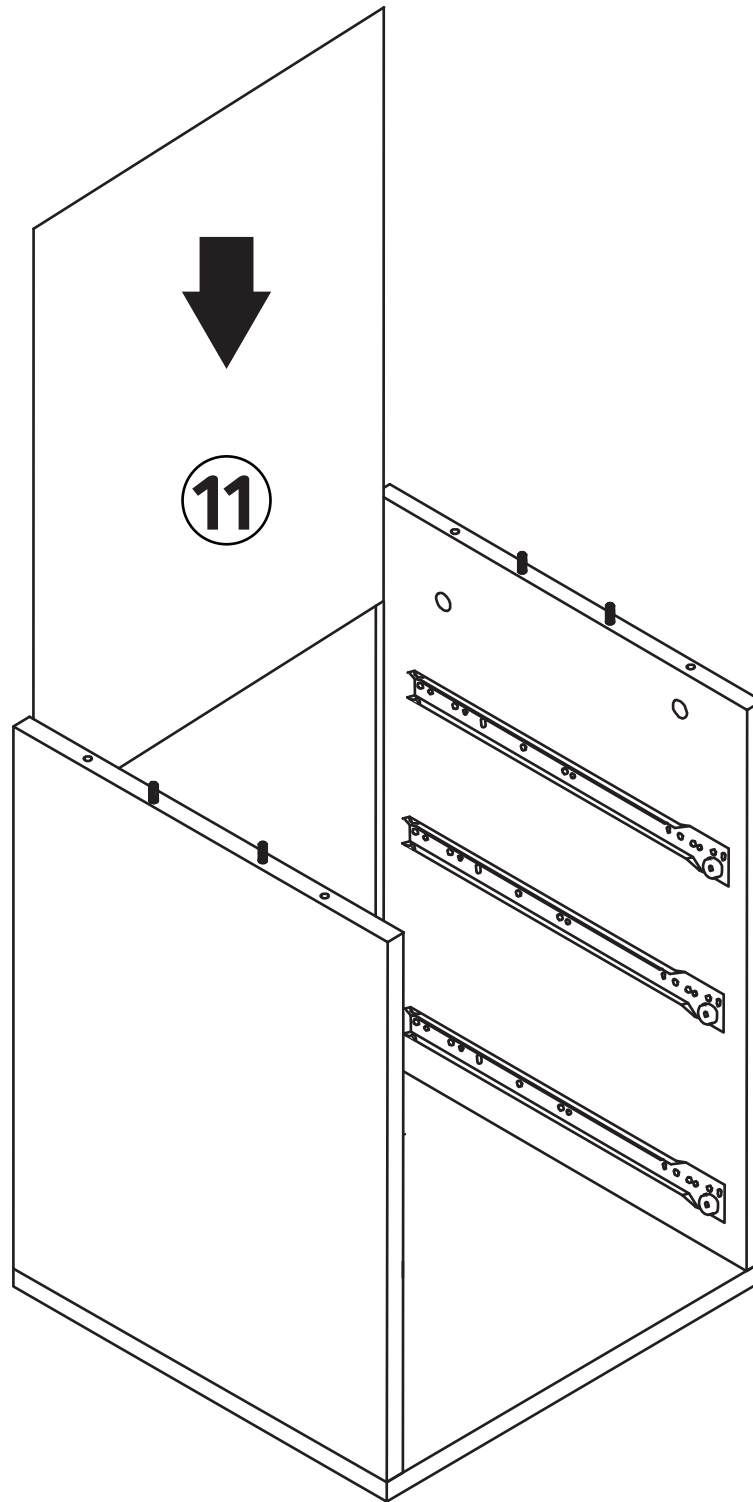




# Step 16

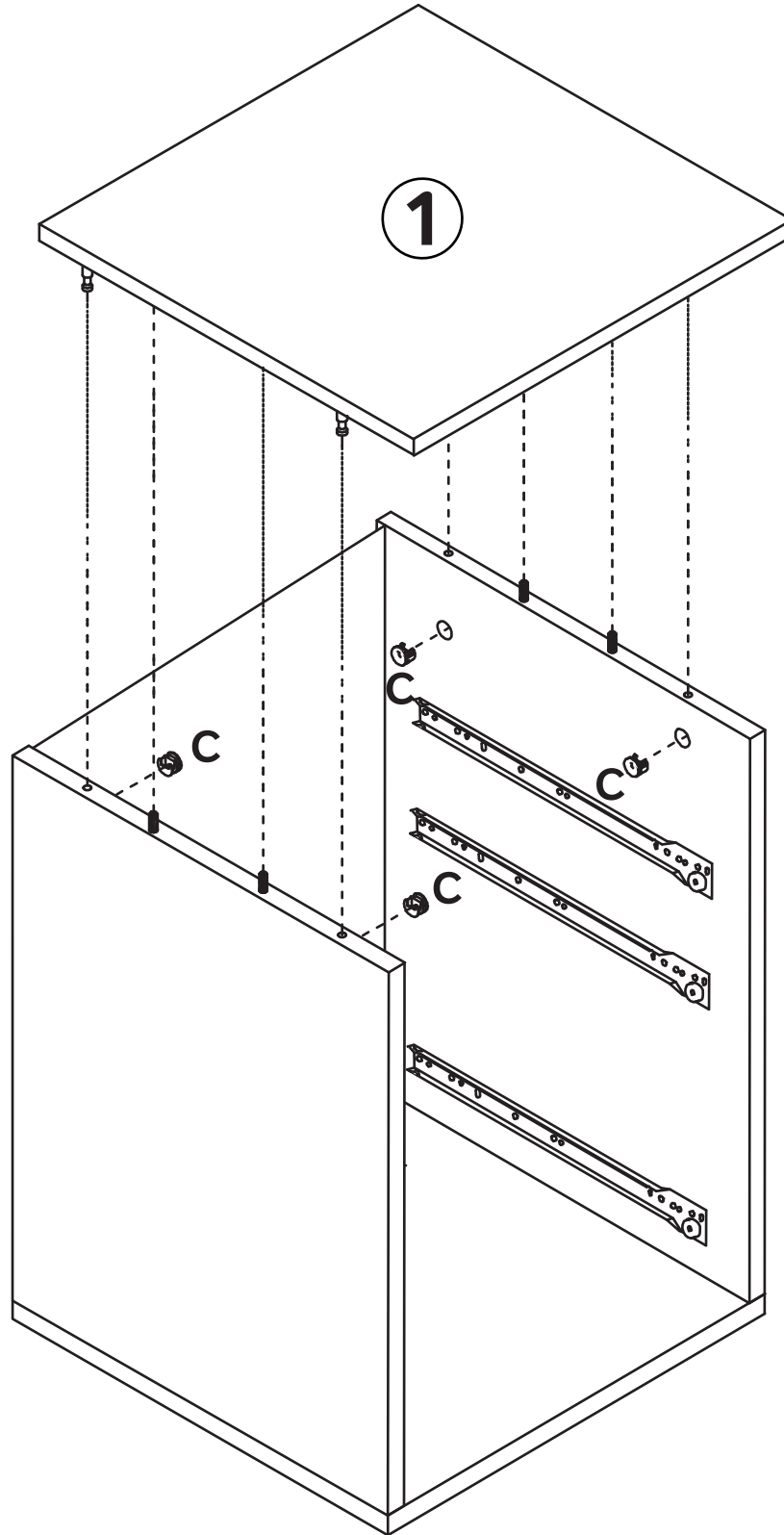


# Step 17

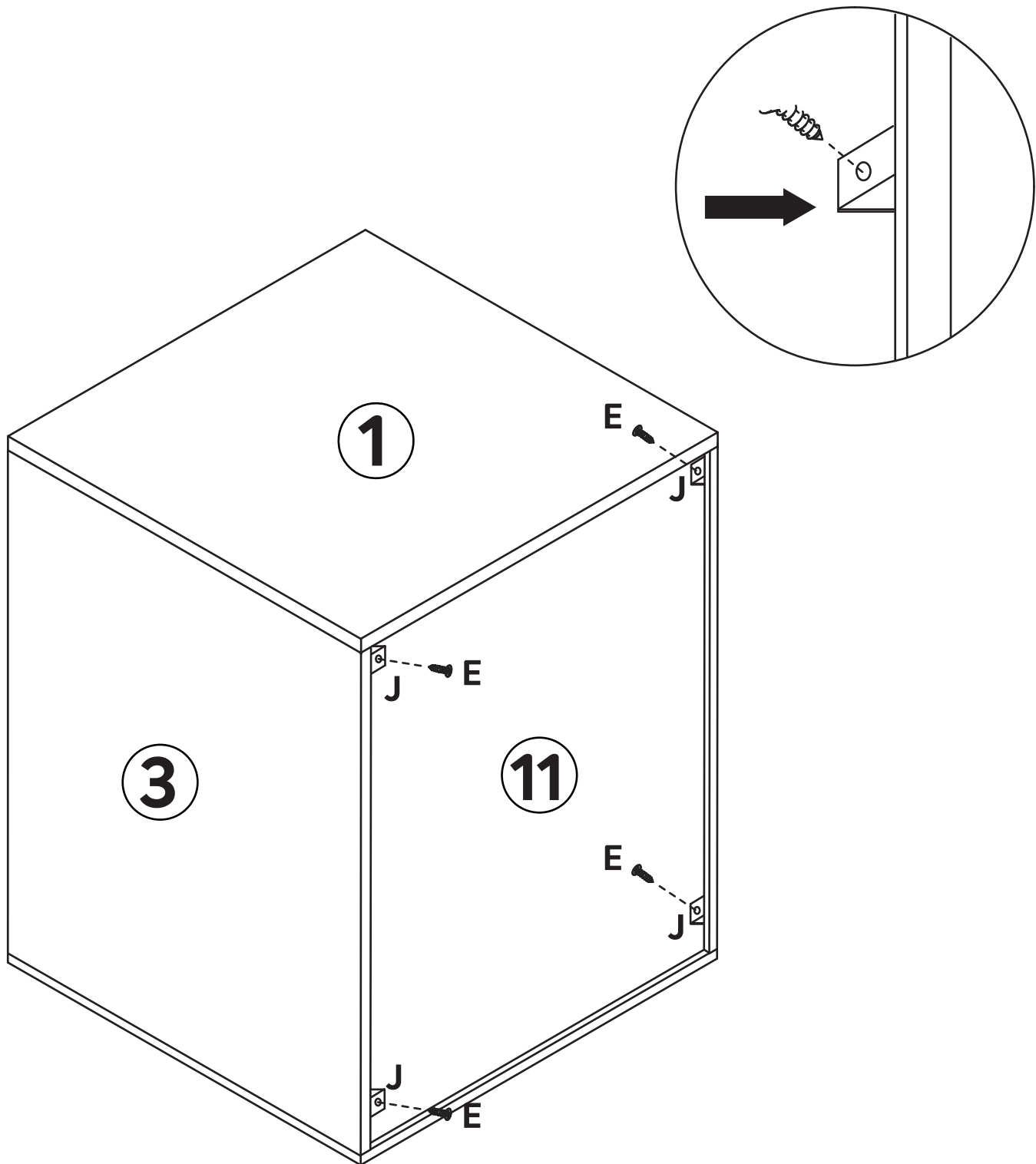




# Step 18

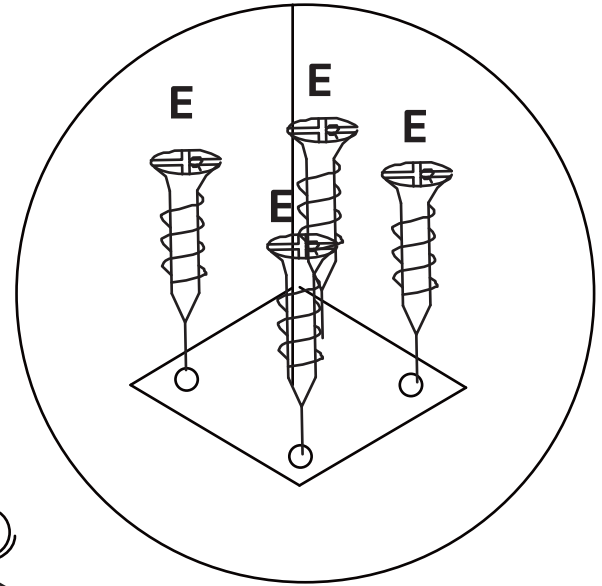
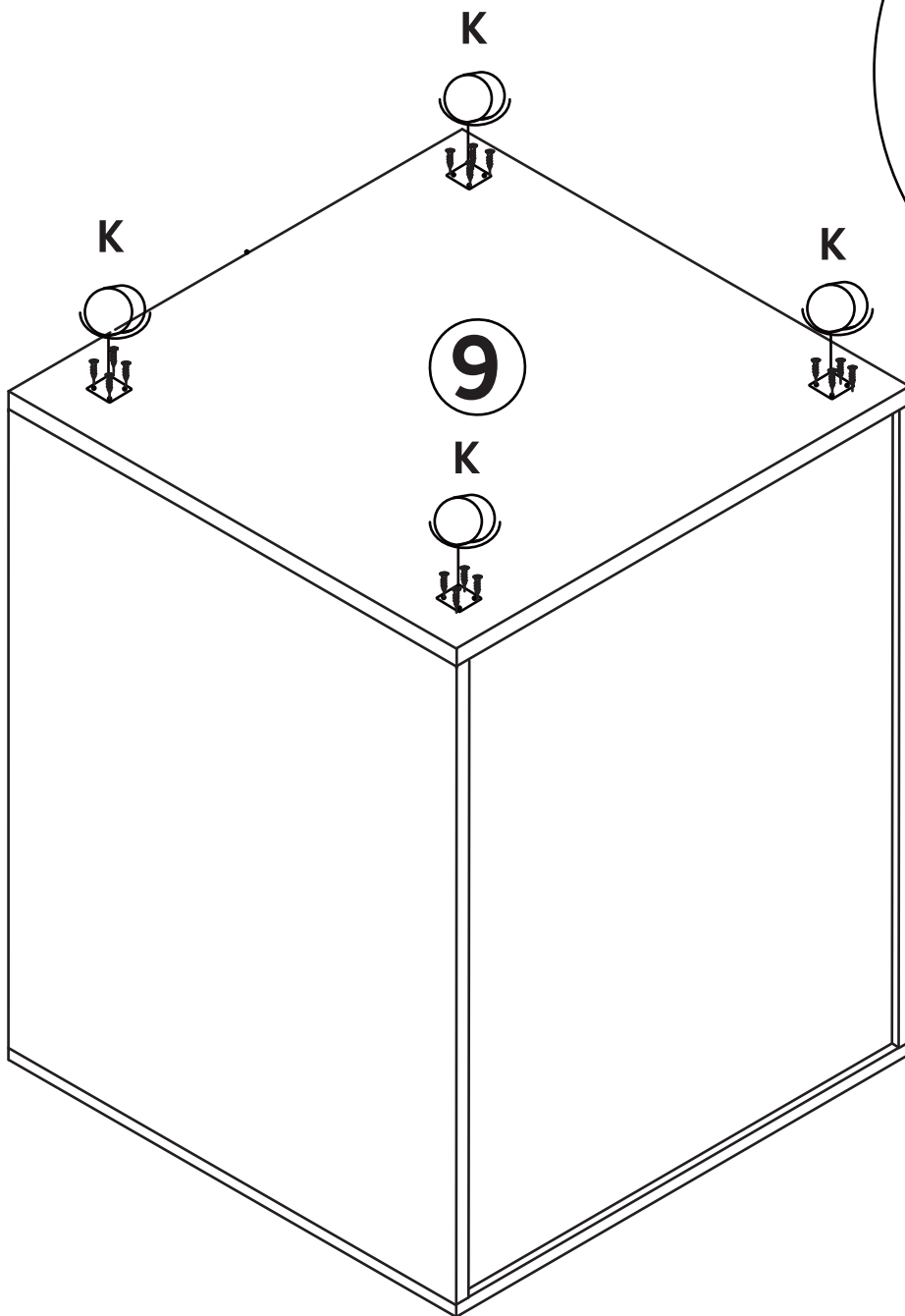


# Step 19

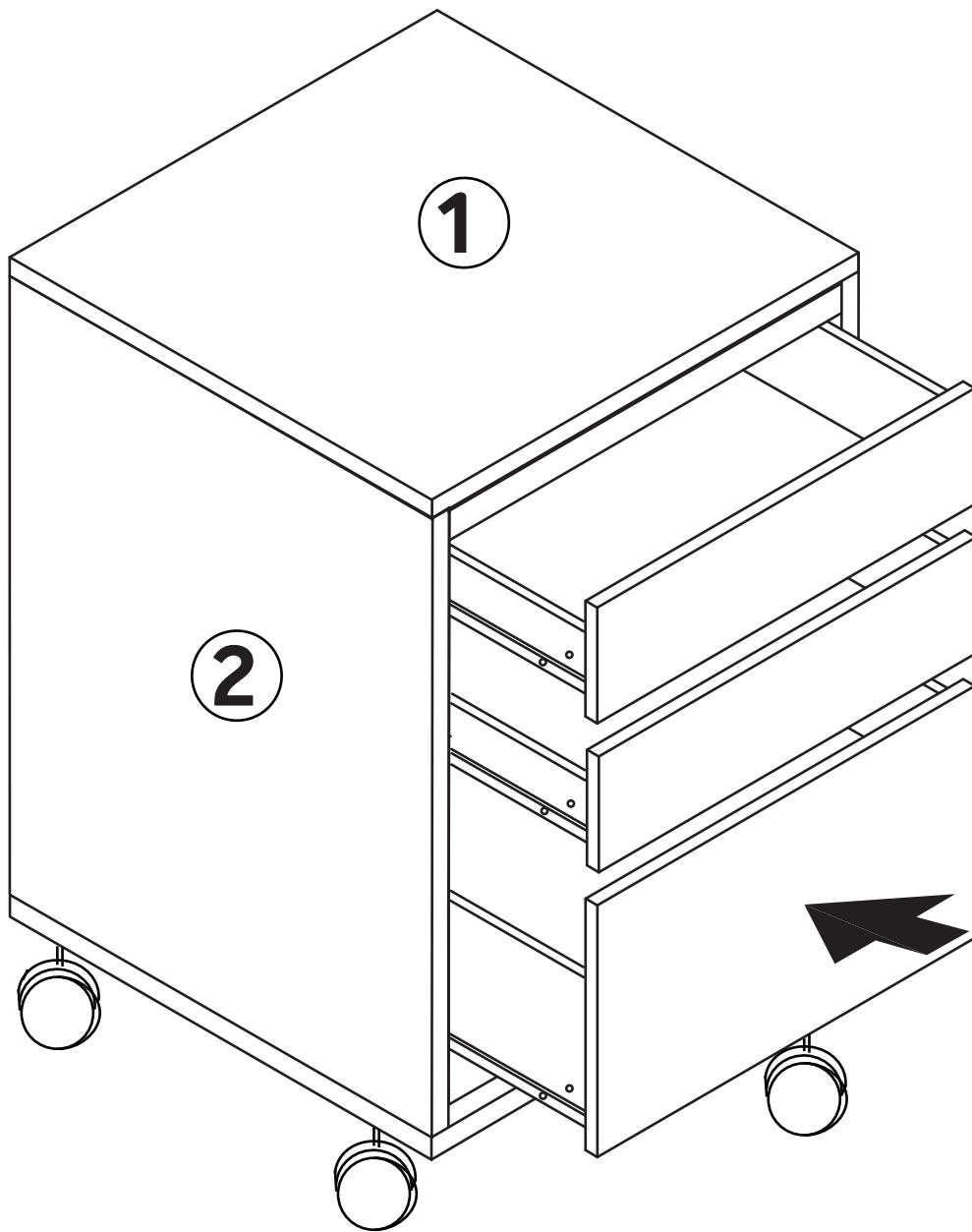




# Step20

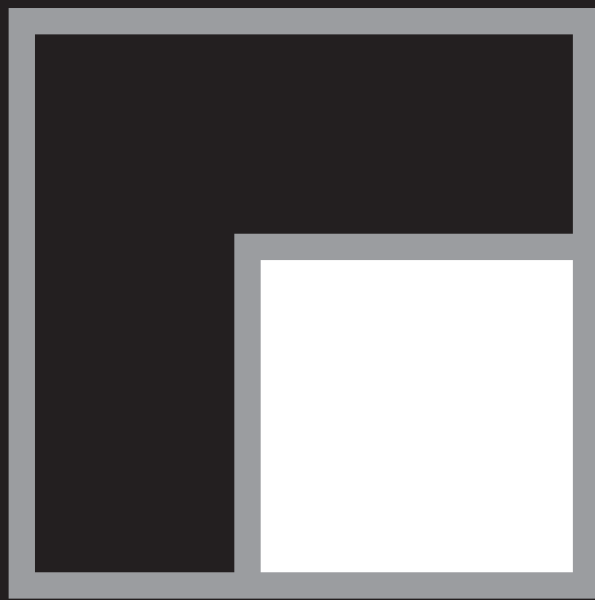


# Step 21









**FINEBOARD™**

FINE THINGS IN LIFE