

The Kia ProCeed Specification.



Movement that inspires



Specification

Specification

Exterior features & lighting - Standard across the range: Automatic Headlight Control- Body Coloured Bumpers- Body Coloured Side Sill Mouldings- Body Coloured with High Gloss Black Trim Rear Spoiler- Electrically Folding & Adjustable & Heated Door Mirrors with LED Indicators- Heated Rear Window with Timer- High Gloss Black Door Mirrors- LED Daytime Running Lights- LED Headlights- LED Full-Width Tail Light- LED Rear Combination Lights- Privacy Glass (Rear Windows & Tailgate)- Rain Sensing Front Wipers- Rear LED Fog Lights- Rear Wiper/Washer- Satin Finished Beltline.

	GT-Line	GT-Line S
17" Alloy wheels	√	-
18" Alloy wheels	-	√
Panoramic Sunroof with Tilting / Sliding Function & Automatic Electric Roll Blind	-	√
Standard Paint	√	√
Premium Paint	OPT	OPT

[View ProCeed](#)

[Test Drive ProCeed](#)

Interior design & comfort - Standard across the range: Aluminium Pedals- Auto-dimming Rear-view Mirror- Automatic Defog System- Black High Gloss Front Console Garnish & Door Trim- Dual Automatic Air Conditioning- Heated Seats (Front)- Heated Steering Wheel- Leather Trimmed D-Cut Steering Wheel- Power Lumbar Support (Driver & Front Passenger)- Rear Air Ventilation- Rear Centre Armrest- Satin Chrome Finish Interior Door Handles- Steering Wheel Mounted Controls- Sunvisors with Vanity Mirror Illumination (Driver & Front Passenger) - Tilt & Telescopic Steering Wheel Adjustment.

	GT-Line	GT-Line S
Black Cloth with Light Grey Faux Leather Upholstery	√	-
Black Leather with Suede Seat Upholstery	-	√
All-round Electric Windows with Front Auto Up & Down Function (Front)	√	-
All-round Electric Windows with Front Auto Up & Down Function (Front & Rear)	-	√
Memory Seat (Driver)	-	√
Power Seat Height Adjuster (Driver)	-	√
Manual Seat Height Adjuster (Front Passenger)	√	
Heated Seats (Outer Rear)	-	√

Interior design & comfort

	GT-Line	GT-Line S
Cruise Control & Speed Limiter	√	-
Smart Key with Engine Start/Stop Button	-	√
Smart Cruise Control with Stop & Go Functionality	-	√

Storage, versatility & interior lighting - Standard across the range: 12V Power Socket (Front) - Centre Console Storage Box- Front & Rear Door Storage - Front Seatback Pockets - Front Cabin Light with Sunglasses Case - Luggage Area Light- Luggage Area Load Cover- Rear Cupholders in Rear Armrest- Tyre Mobility Kit.

	GT-Line	GT-Line S
60:40 Split Folding Rear Seats	√	-
40:20:40 Split Folding Rear Seats with Remote Folding	-	√
Power Opening Tailgate	-	√

- = unavailable on grade ✓ = standard on grade OPT = Option

[View ProCeed](#)

[Test Drive ProCeed](#)

*Some parts of the leather upholstery contain faux leather

Audio, communication & information - Standard across the range: 10.25" Touchscreen Satellite Navigation- Android Auto™ & Apple CarPlay™ with Voice Control- Bluetooth® - Rear Parking Sensors**- Reversing Camera System with Dynamic Guidelines - 2 x Front USB Charge Port (1 for C-Type / 1 for USB) - Rear Console USB C-Type Charge Port - Free 7-year Kia Connect services- Windscreen Washer Level Warning.

	GT-Line	GT-Line S
6-speaker audio system	√	-
8-Speaker JBL® Premium Audio System	-	√
Wireless mobile phone charger	-	√
12.3" TFT Supervision Cluster Display	-	√
4.2" Supervision Colour Cluster Display	√	-

Active safety & driving dynamics - Standard across the range: ABS with Electronic Brakeforce Distribution (EBD) & Brake Assist System (BAS)- Driver Attention Warning +(DAW) with Leading Vehicle Departure Warning- Dual Horn- Electronic Stability Control (ESC) & Vehicle Stability Management (VSM)- Emergency Stop Signalling- Forward Collision-Avoidance Assist (FCA) - City/Pedestrian/Cyclist- High-Beam Assist (HBA)- Hill-start Assist Control (HAC)- Intelligent Stop & Go (ISG)- Lane Following Assist (LFA)- Lane Keeping Assist (LKA)- Motor Driven Power Steering and Tyre Pressure Monitoring System (TPMS).

Active safety & driving dynamics	GT-Line	GT-Line S
Blind-Spot Collision Avoidance Assist (BCA)	-	✓
Rear Cross-Collision Assist (RCCA)	-	✓
Drive Mode Select (Normal & Sport)	-	✓
Smart Park Assist System (SPAS) Parallel/Perpendicular With Front & Rear Parking Sensors**	-	✓
Intelligent Speed Limit Warning (ISLW)	-	✓

Passive safety - Standard across the range: All-round 3-point Seatbelts - All-round Height Adjustable Headrests - Front Passenger Airbag Cut-off Switch - Front Seatbelt Height Adjusters - Impact Sensing Auto Door Unlocking - ISOFIX Child Seat Top Tethers & Anchor Fixings - Seatbelt Reminder Warning - Twin Curtain Airbags - Twin Front Airbags and Twin Side Airbags (Front).

Security - Standard across the range: Alarm System - Child Safety Rear Door Locks - Engine Immobiliser & Deadlocks - Interior Door Lock/Unlock Function - Locking Wheel Nuts and Speed Sensing Auto Door Locking (Driver-activated feature).

**Parking Sensors may not match exterior body colour

Apple Car Play/Android Auto/Kia connect - compatibility and functions may vary due to the model year of mobile device and the version of software installed

For new vehicles sold from May 2021, Kia offers, per vehicle, two free-of-charge updates of the maps in the vehicle's navigation system and of the Head Unit software using the so-called "over-the-air" method ("OTA Updates"). Once the two free-of-charge OTA Updates have been consumed, you will be able to get updates of the maps in the vehicle's navigation system and of the Head Unit software only (i) by accessing the following web page update.kia.com/EU/E1/Main or (ii) at a dealership.



Technical
specification &
Dimensions (mm)

Technical specification

Engine	1.5 T-GDi ISG (158 BHP)	1.5 T-GDi ISG (158 BHP)
DRIVETRAIN		
Cubic capacity	1,482	1,482
Max. power, bhp at rpm	157 / 5500	157 / 5500
Max. torque, Nm at rpm	253 / 1,500-3,500	253 / 1,500-3,500
6 speed manual	✓	-
7 speed auto dual-clutch transmission (DCT)	-	✓
SUSPENSION & TYRES		
Front suspension	Macpherson Strut	
Rear Suspension	Multi link	
17" tyres	225/45R17	225/45R17
18" tyres	-	225/45R18

Engine	1.5 T-GDi ISG (158 BHP)	1.5 T-GDi ISG (158 BHP)
FUEL & SCR		
Fuel type	Petrol	Petrol
Fuel tank capacity, litres	50	50
Selective Catalytic Reduction (SCR)	-	-
SCR tank capacity, litres	-	-
REGULATED EMISSION		
Carbon Monoxide (mg/km)	353.5	187.2
Total Hydrocarbons (mg/km)	26.8	25.2
Nitrogen Oxide	25.3	42.4
Total Hydrocarbons + Nitrogen Oxide (mg/km)	-	-
Particulate Matter (mg/km)	0.00	0.17

WLTP fuel consumption, emissions and performance information**1.5 T-GDi ISG
(158 BHP)****1.5 T-GDi ISG
(158 BHP)****17" Wheel - 'GT-Line'**

Maximum speed (mph)	130	-
Acceleration 0-62 mph (seconds)	8.6	-
Fuel Consumption - Low MPG (l/100km)	39.8 (7.1)	-
Fuel Consumption - Medium MPG (l/100km)	49.6 (5.7)	-
Fuel Consumption - High MPG (l/100km)	56.5 (5)	-
Fuel Consumption - Extra High MPG (l/100km)	47.1 (6)	-
Fuel Consumption - Combined MPG (l/100km)	48.7 (5.8)	-
Regulated Emission Standard	Euro 6D	-
Carbon Dioxide (CO ₂) Emissions (g/km)	130	-
Noise Level Moving/Stationary (dB)	66/74	-

WLTP fuel consumption, emissions and performance information**1.5 T-GDi ISG
(158 BHP)****1.5 T-GDi ISG
(158 BHP)****18" Wheel - 'GT-Line S'**

Maximum speed (mph)

-

TBC

Acceleration 0-62 mph (seconds)

-

TBC

Fuel Consumption - Low MPG (l/100km)

-

TBC

Fuel Consumption - Medium MPG (l/100km)

-

TBC

Fuel Consumption - High MPG (l/100km)

-

TBC

Fuel Consumption - Extra High MPG (l/100km)

-

TBC

Fuel Consumption - Combined MPG (l/100km)

-

TBC

Regulated Emission Standard

-

TBC

Carbon Dioxide (CO₂) Emissions (g/km)

-

TBC

Noise Level Moving/Stationary (dB)

-

TBC

**1.5 T-GDi ISG
(158 BHP)****1.5 T-GDi ISG
(158 BHP)****VEHICLE WEIGHT & CAPACITY INFORMATION**

Gross vehicle weight	1850	1880
Kerb weight	1398	1425
Gross train weight	2850	2880
Maximum braked trailer weight	1000	1000
Maximum tow ball weight	75	75
Luggage compartment capacity, rear seats upright, litres	594	594
Luggage compartment capacity, rear seats folded, litres	1545	1545
Minimum turning circle radius (m)	10.4	10.4

VEHICLE INSURANCE GROUPS

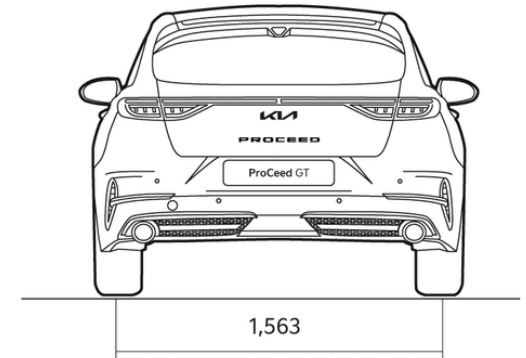
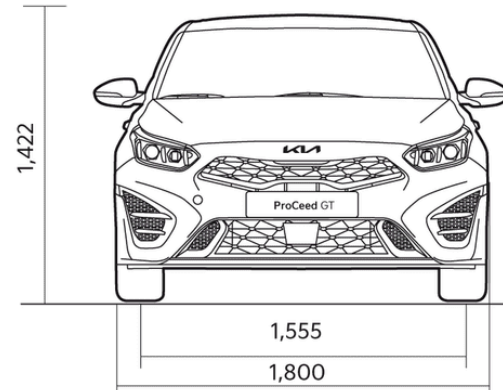
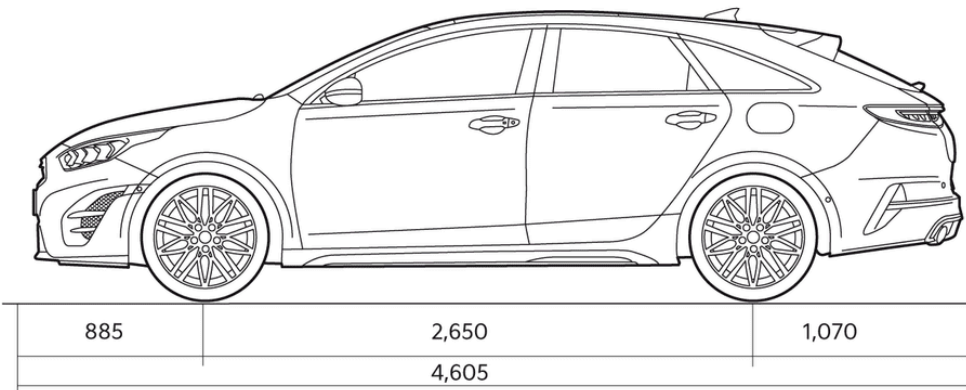
'GT-Line'	16E	-
'GT-Line S'	-	19D

1.5 T-GDi ISG
(158 BHP)

1.5 T-GDi ISG
(158 BHP)

SERVICE INTERVALS

12 months / 10,000 miles whichever occurs sooner



Kia Warranty

Over the years, Kia has become one of the most successful car manufacturers in Europe. The key to our success? We give our customers that little bit extra: better service by qualified technicians, regular product innovation and superior warranty coverage.

7 Year vehicle warranty

Our high quality standards are what make superior warranty coverage possible: 3 years / unlimited mileage and 4-7 years / 100,000 mile manufacturer's warranty. For full warranty coverage including terms and exclusions please refer to your Kia dealer.

12 Year anti-perforation warranty

Your ProCeed comes with a 12 year/ unlimited mileage anti-perforation warranty. A body work inspection is required every two years, for which a charge may apply.

Discover EV with Kia



Questions about switching to electric?

If you're thinking of switching to an electric car, but want to know more, then it's time to Discover EV with Kia. You can get expert advice about living with an electric car at your local dealership.



Living with an EV



Charging & Range



Technology

You'll also be able to explore our award-winning electric range, including the Kia EV6, the Kia Niro EV, and UK Car of the Year - the Kia EV9.

[Secure your appointment](#)



Colours

Exterior colours	GT-Line	GT-Line S
Infra Red (Standard)	√	√
Orange Fusion (Premium)	√	√
Blue Frame (Premium)	√	√
Fusion White (Premium)	-	-
Phantom Black (Premium)	√	√
Dark Penta Metal (Premium)	√	√

[Test Drive ProCeed](#)

[Build your ProCeed](#)

Contact Details

Kia UK Limited, Walton Green, Walton-On-Thames, Surrey,
KT12 1FJ
Freephone: 0333 202299
www.kia.com/uk

All information and illustrations are based on data available at the time of publishing (November 2023) and are subject to change without notice.

Contact your local Kia dealer for current information and full warranty details including terms and conditions. Imagery shown throughout this brochure is for illustrative purposes only and not to UK specification. Features shown are not necessarily standard across the Kia ProCeed range.

