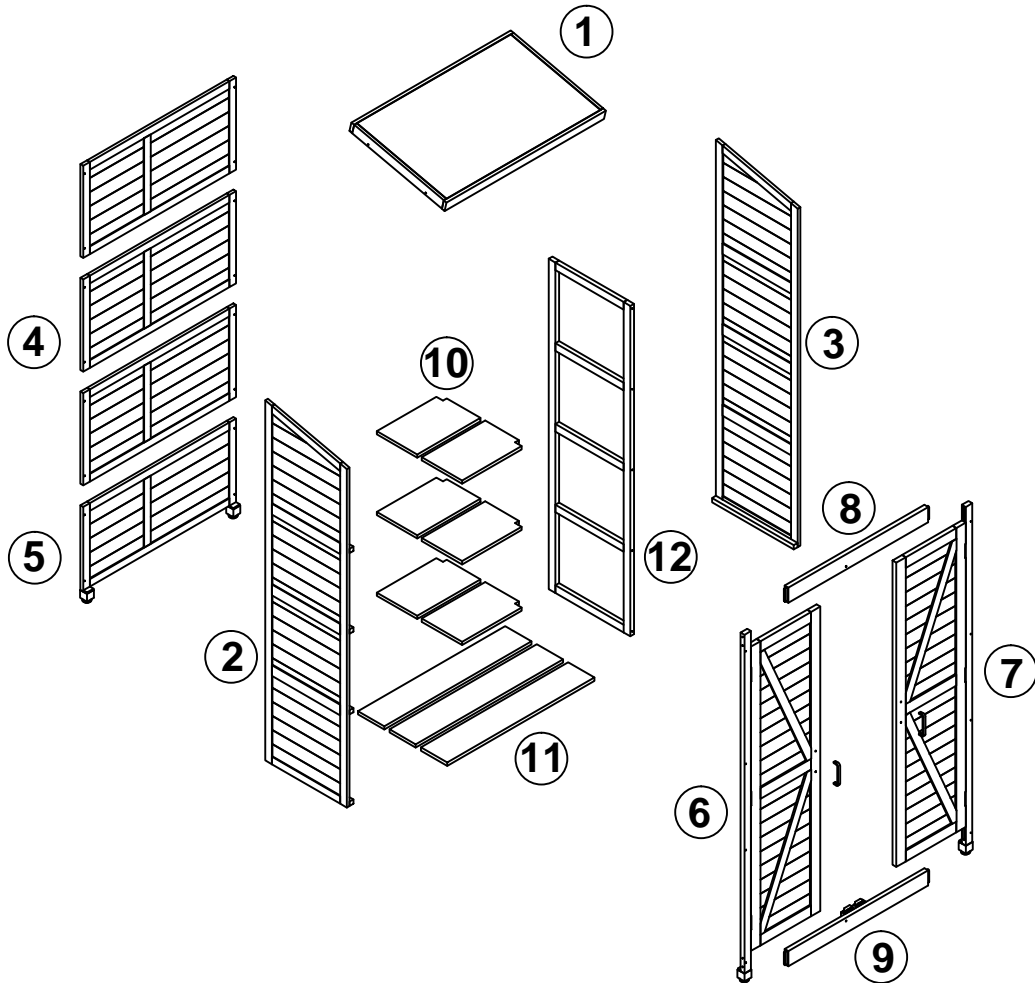
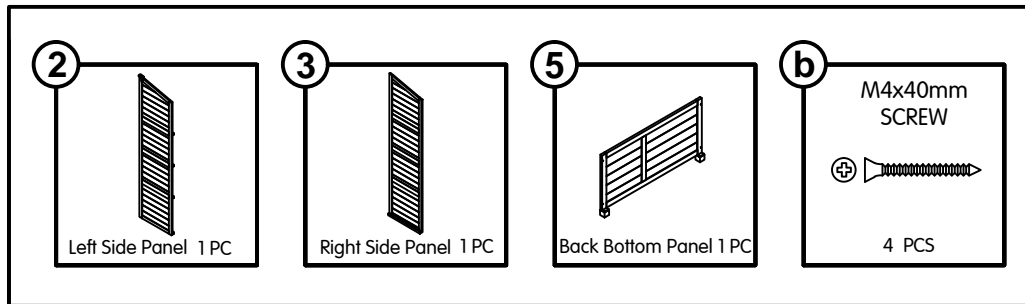


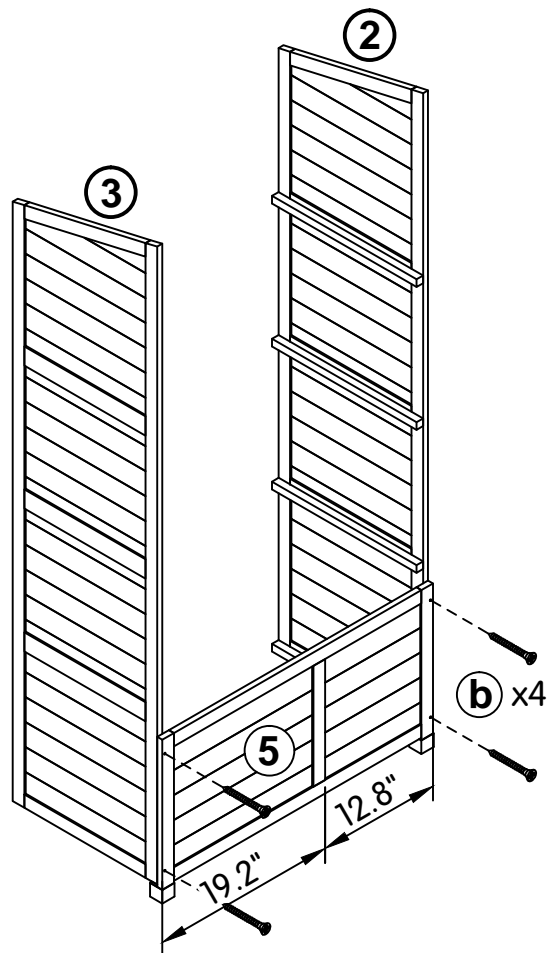
Note: To Save installation Time, It's Recommend to identify Components before Assembly!



1

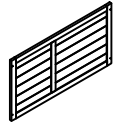


Attach the Back Bottom Panel to the long side of Left and Right Panel.



2

4



Back Top Panel 3 PCs

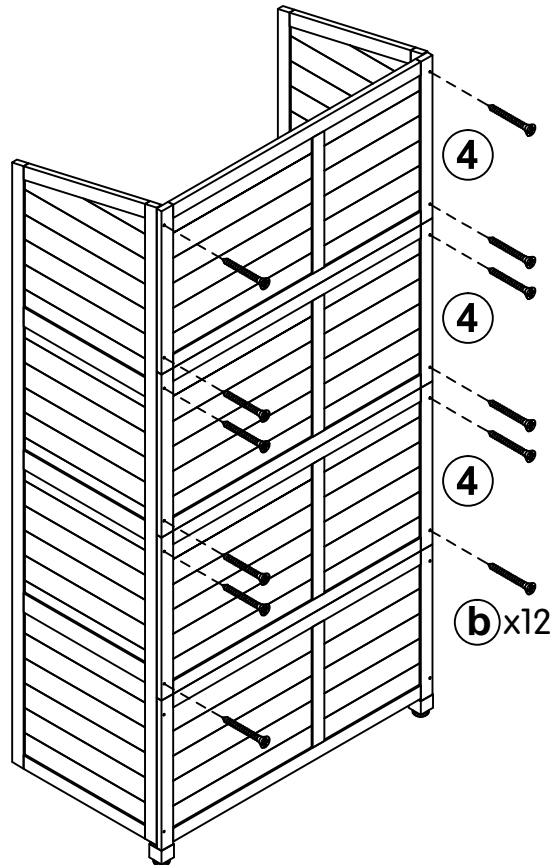
b

M4x40mm
SCREW



12 PCS

Attach the Back Panel to the Left and Right Rannel.



3

6 Front Door Right 1PC

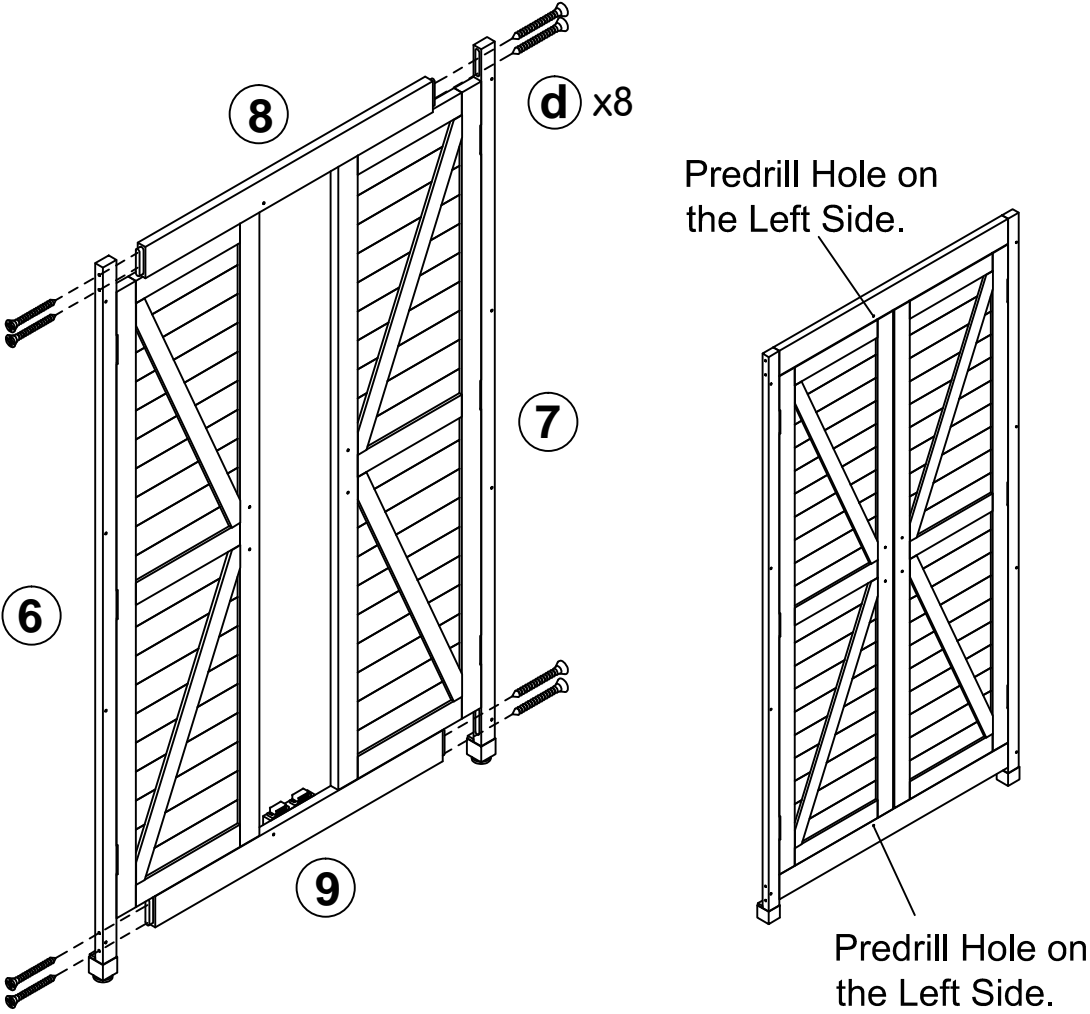
7 Front Door Left 1PC

8 Front Door Top 1PC

9 Front Door Bottom 1PC

d M4x60mm SCREW
8 PCS

Note the Direction during Assembly the Front Door.



4

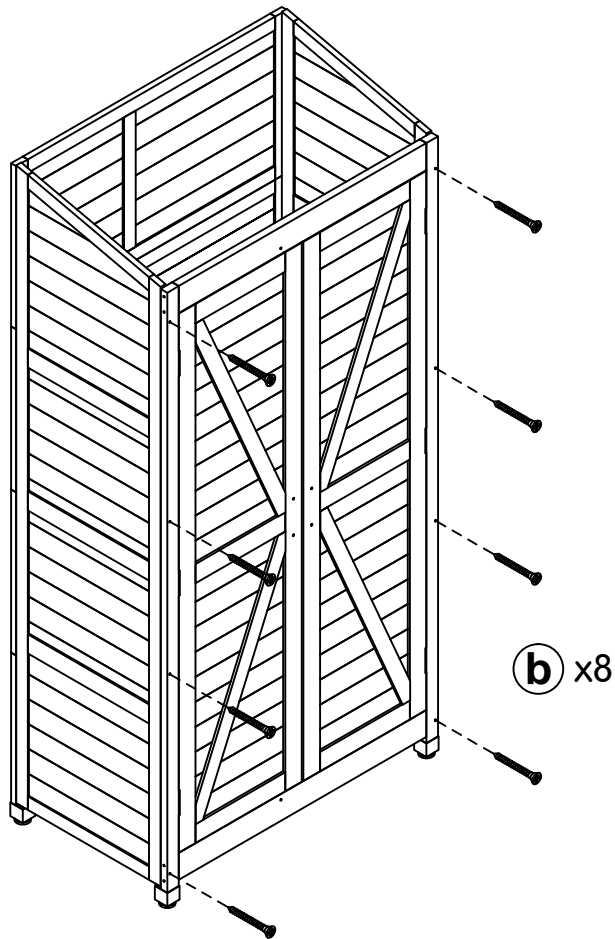
b

M4x40mm
SCREW



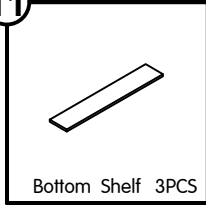
8 PCS

Assembly the Front Door to the Main Part.



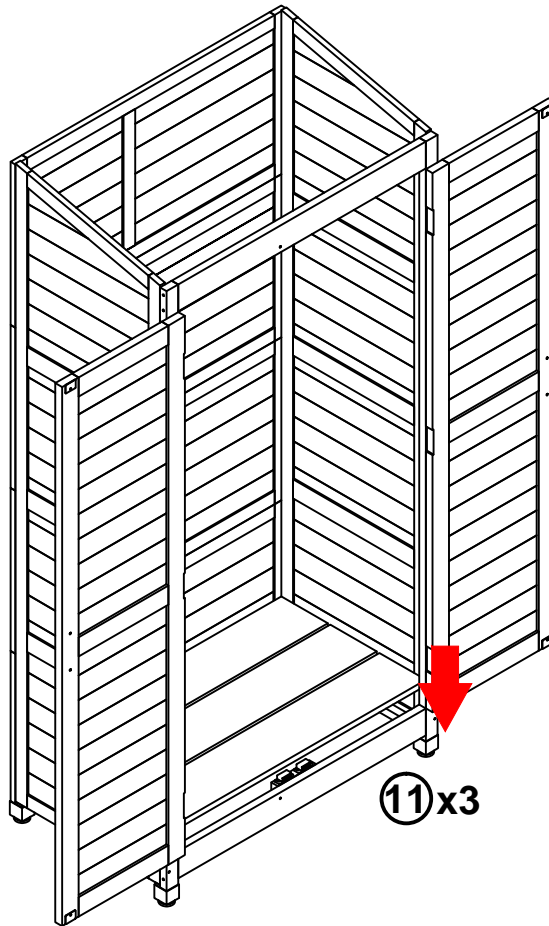
5

11



Bottom Shelf 3PCS

Put the Bottom Shelf to the Cabinet.



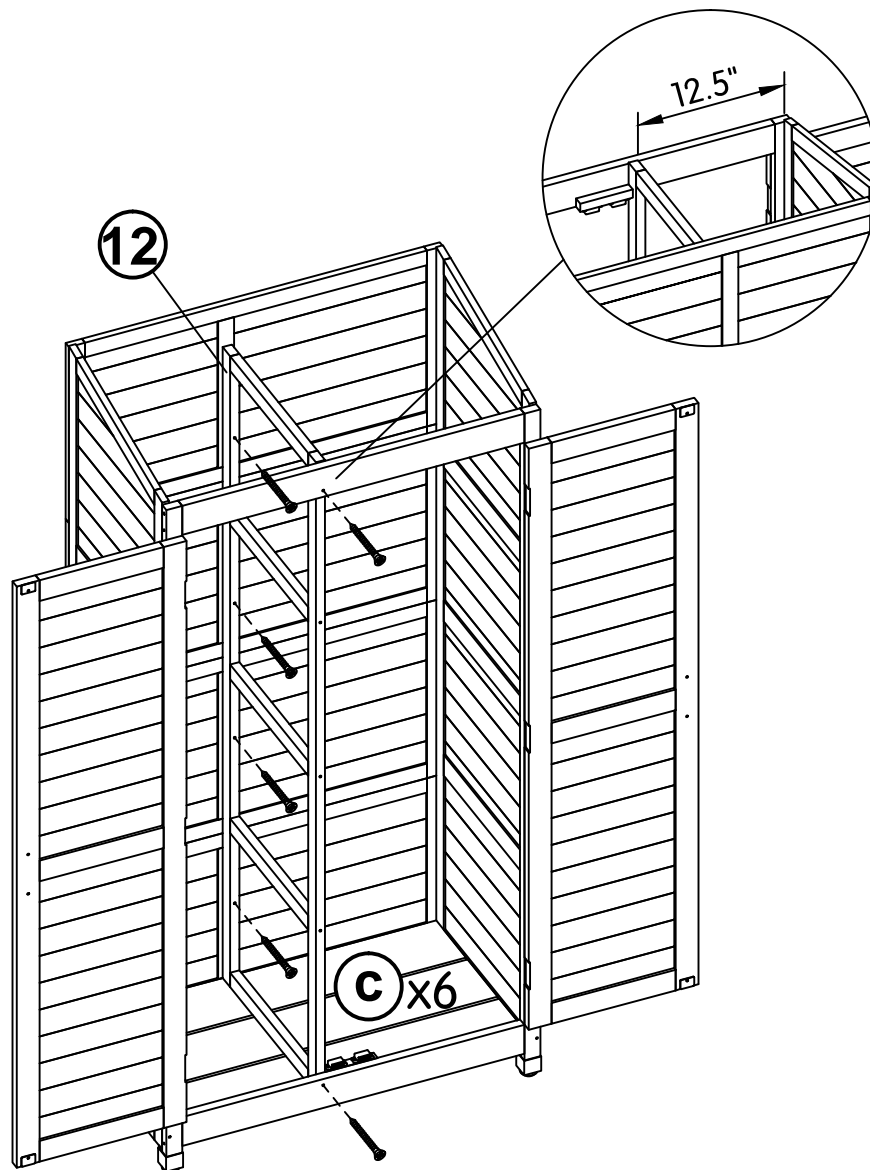
11x3

6

12 Shelf Frame 1PC

C M4x45mm SCREW
6 PCS

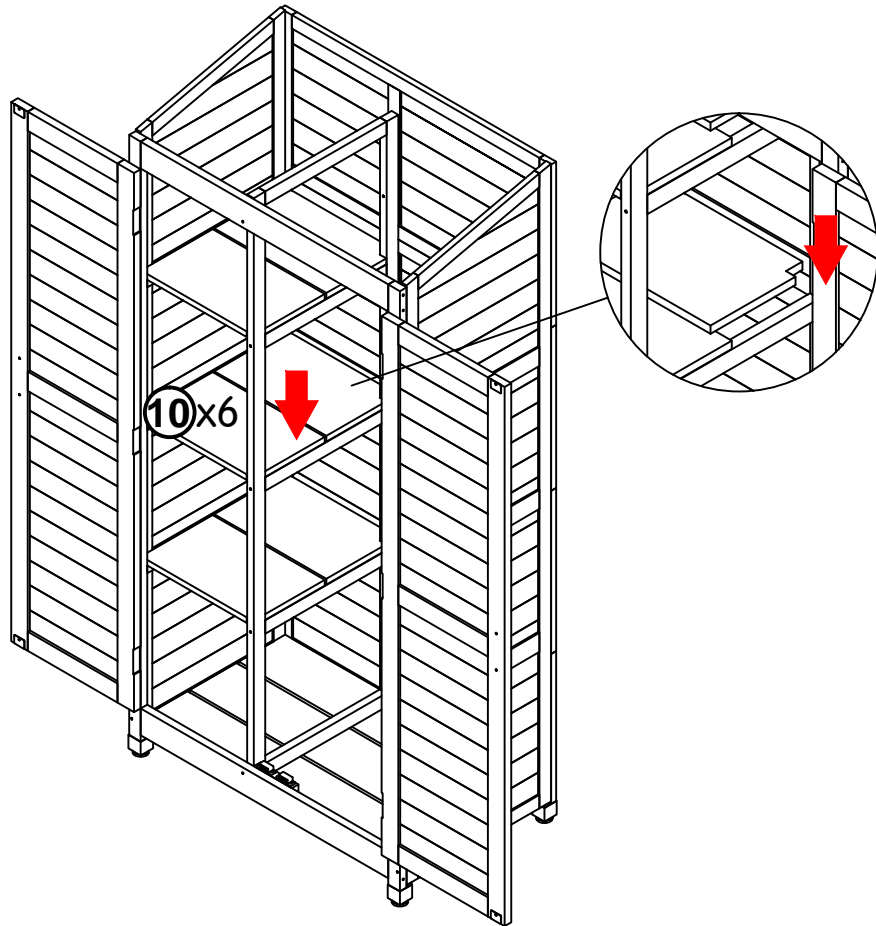
Assembly the Shef Frame to the Cabinet.

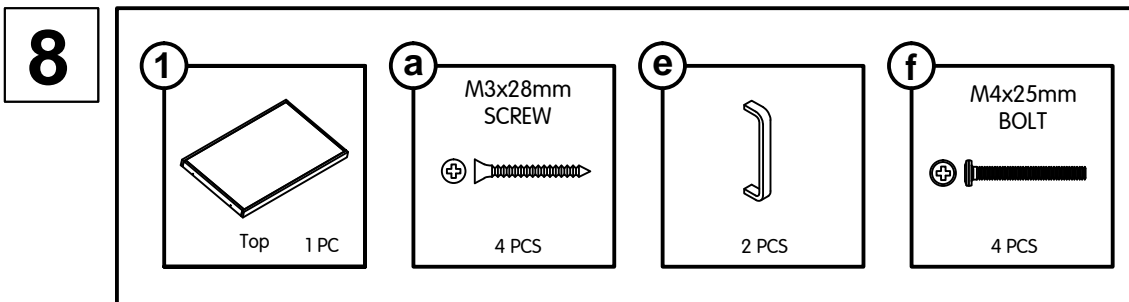


7

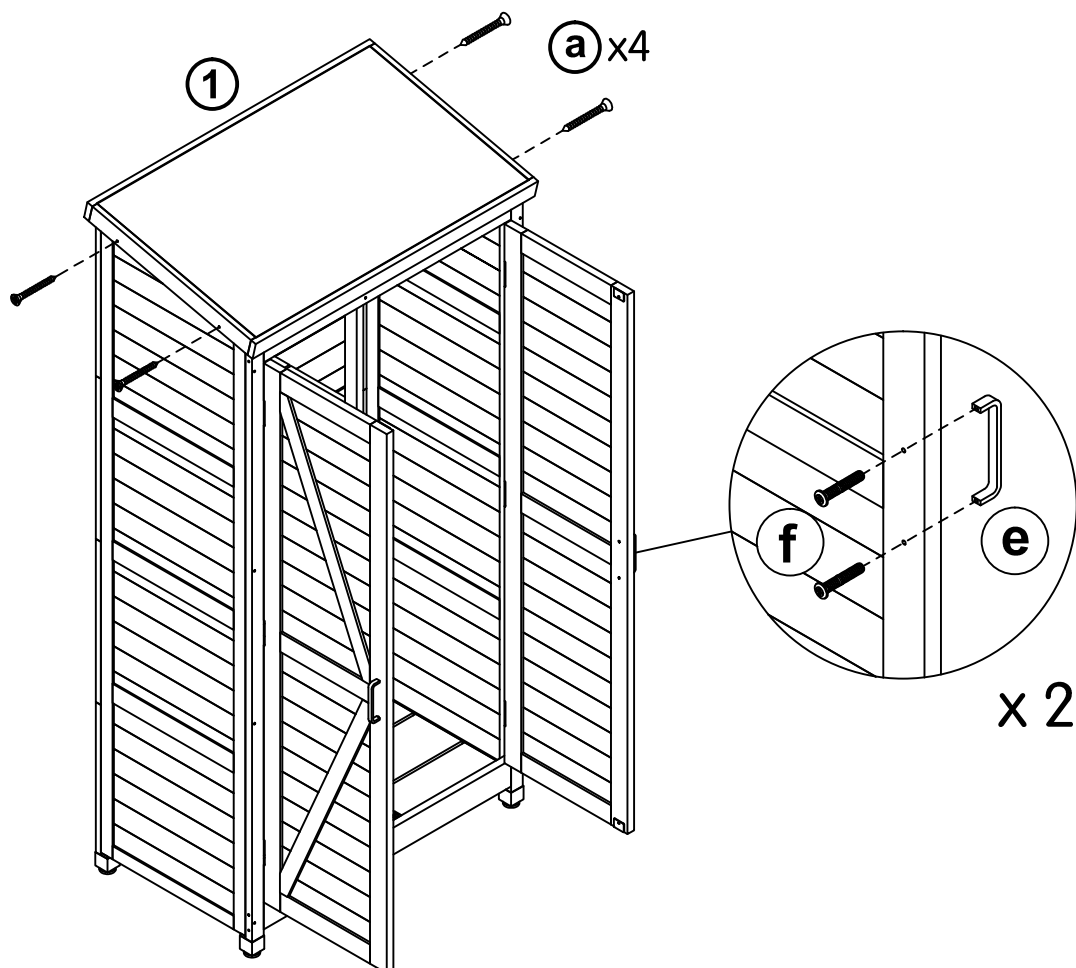


Put the Middle Shelf into Place.

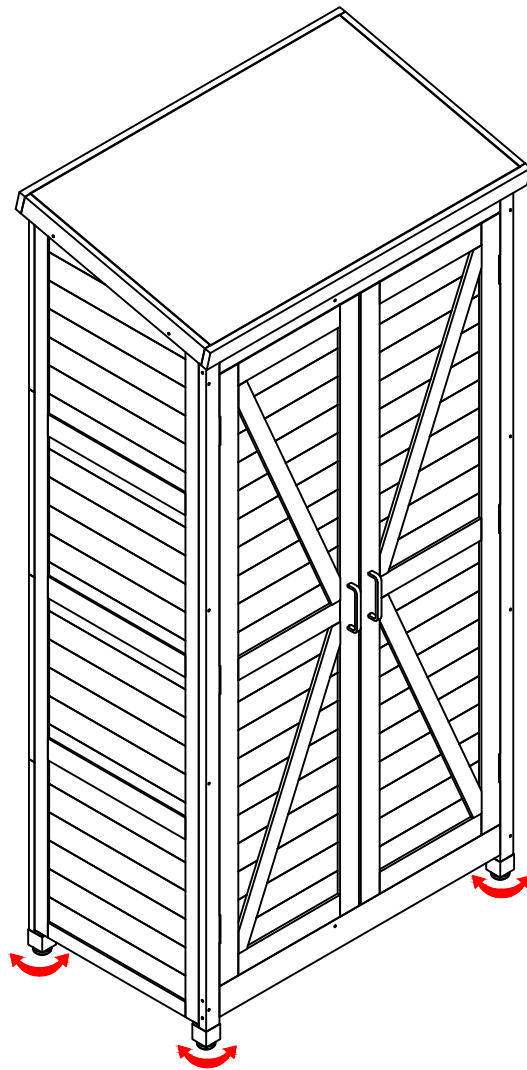




Attach the Top and the Handle.

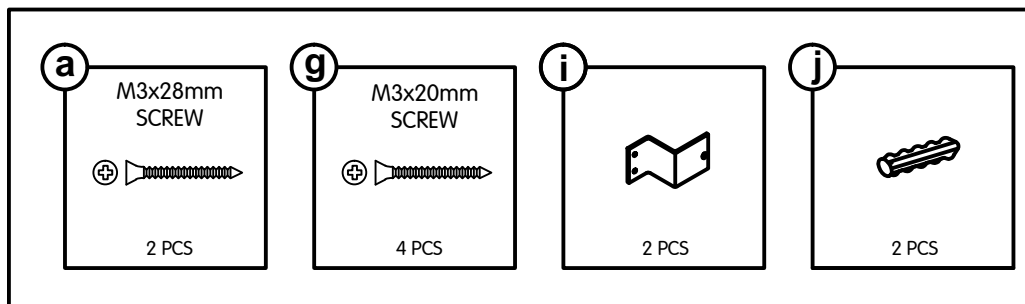


9

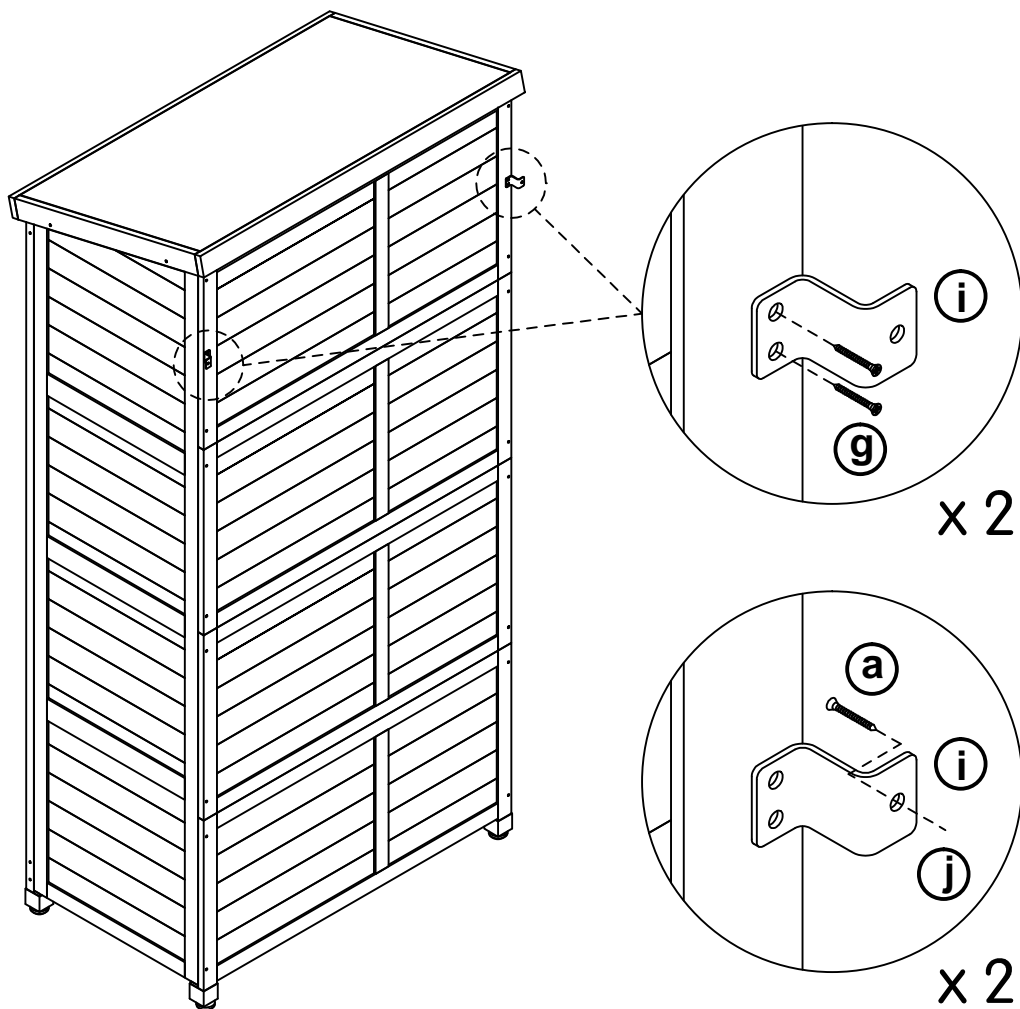


Adjust the plastic feet if necessary.

10



It is highly Recommended to Put the Cabinet against the wall and Lock Tight.



Attach the bracket to the cabinet using (g) screws.
Attach the cabinet to the wall using (a) screws.