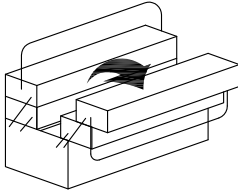
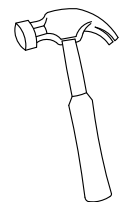




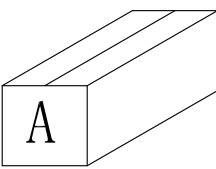
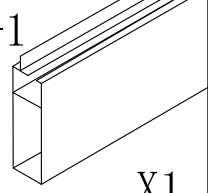
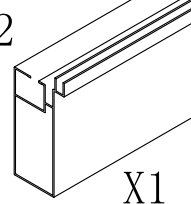
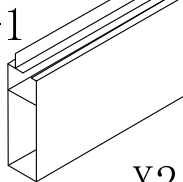
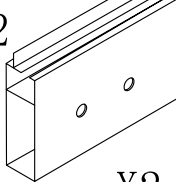
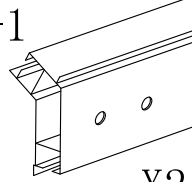
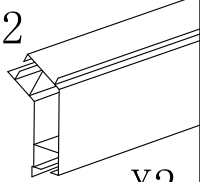
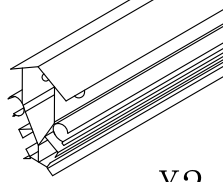
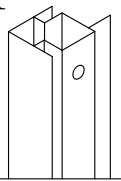
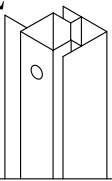
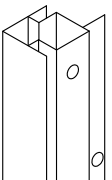
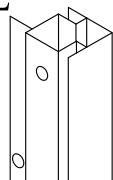
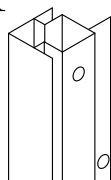
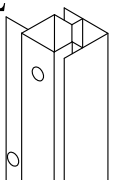
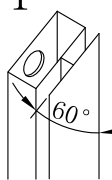
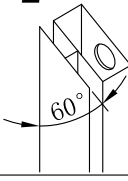
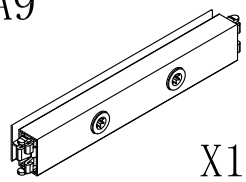
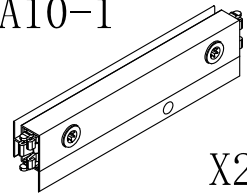
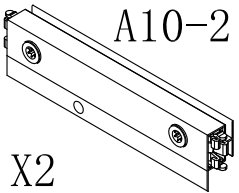
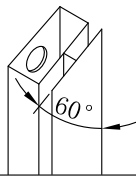
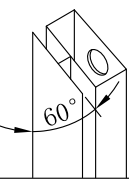
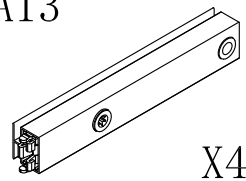
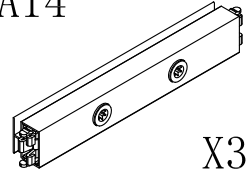
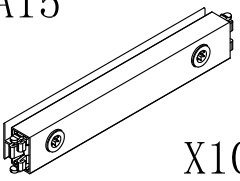
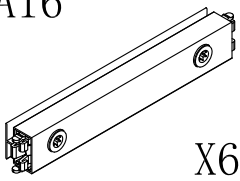
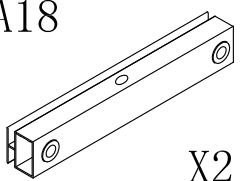
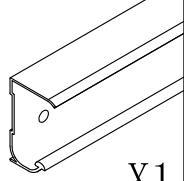
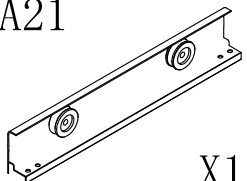
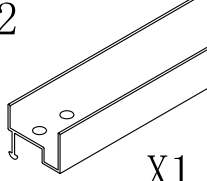
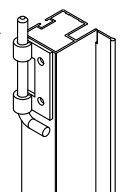
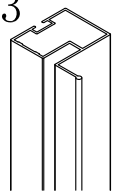
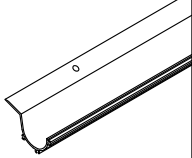
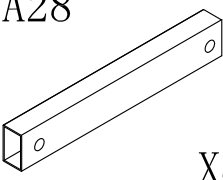
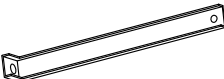
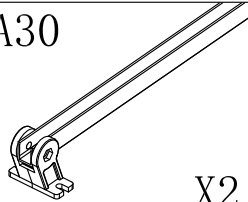
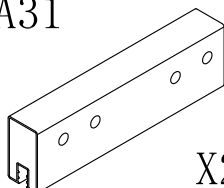
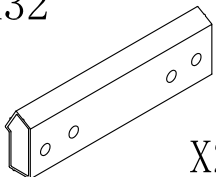
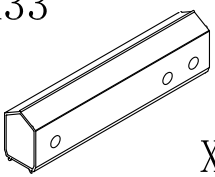

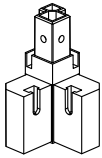
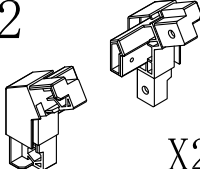
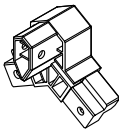
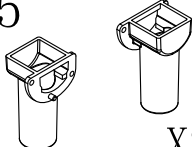
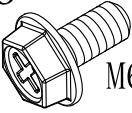


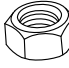
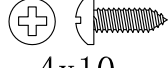
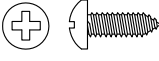
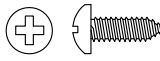
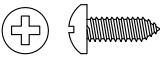
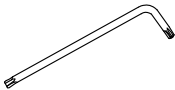

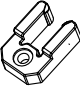


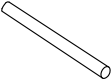
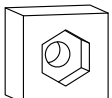
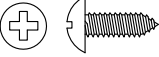
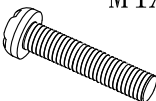
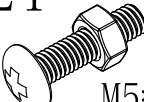
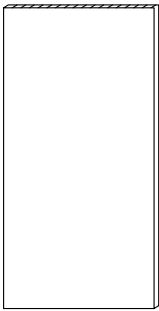
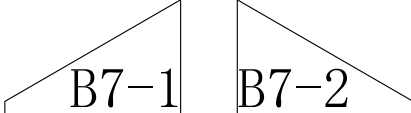
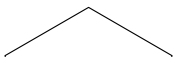

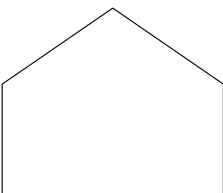
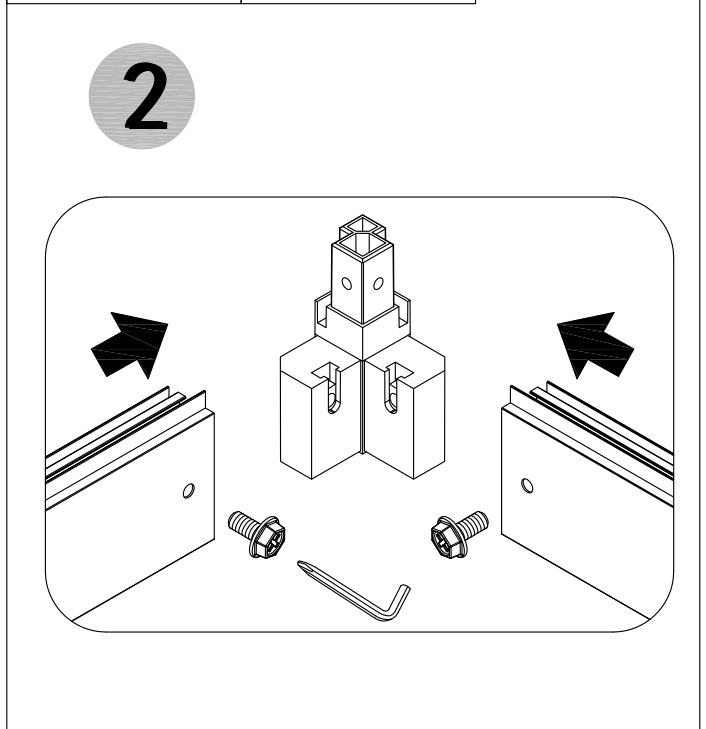
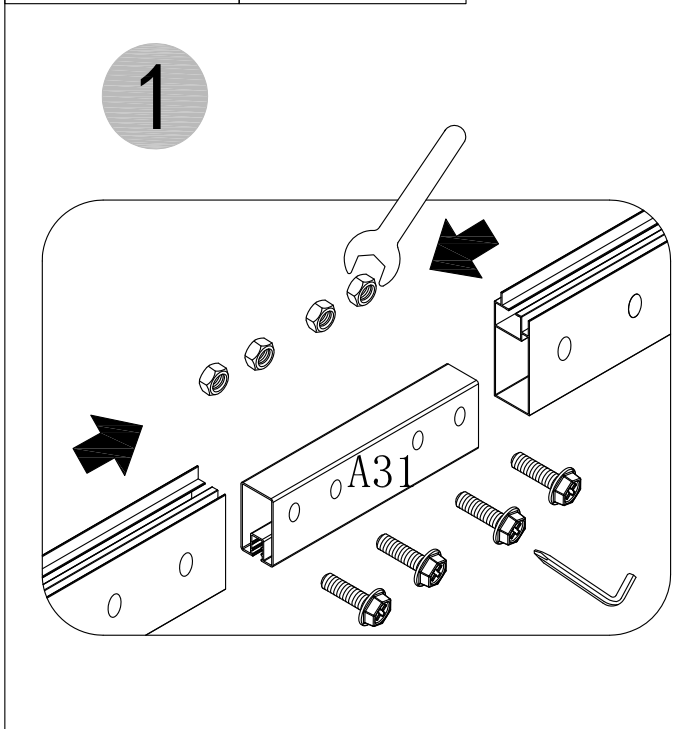
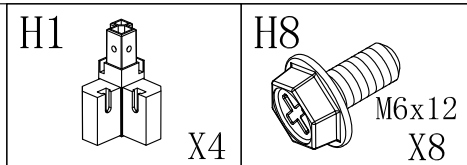
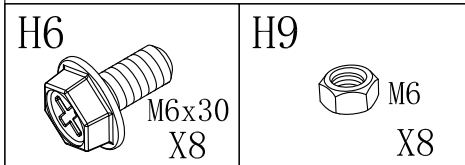
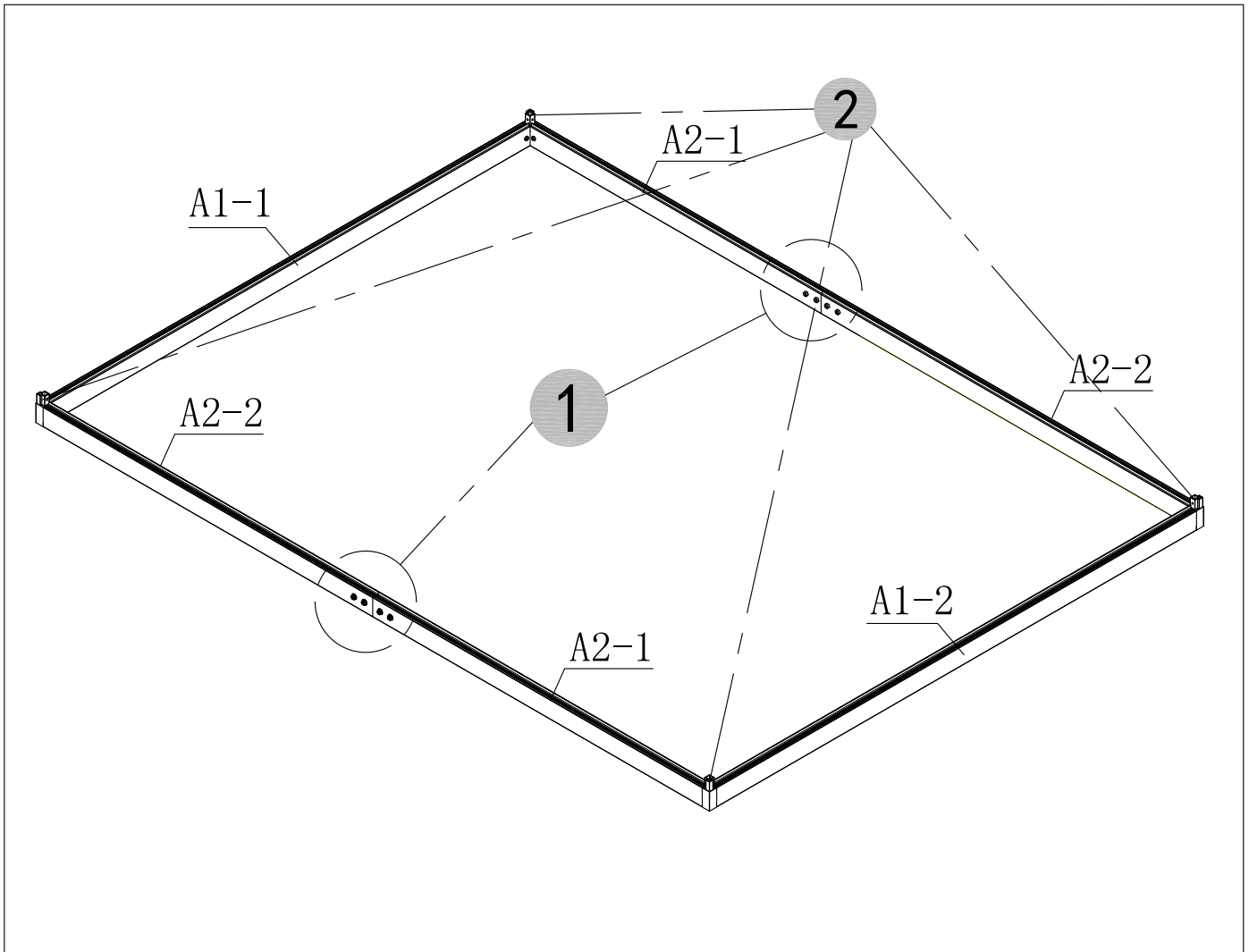


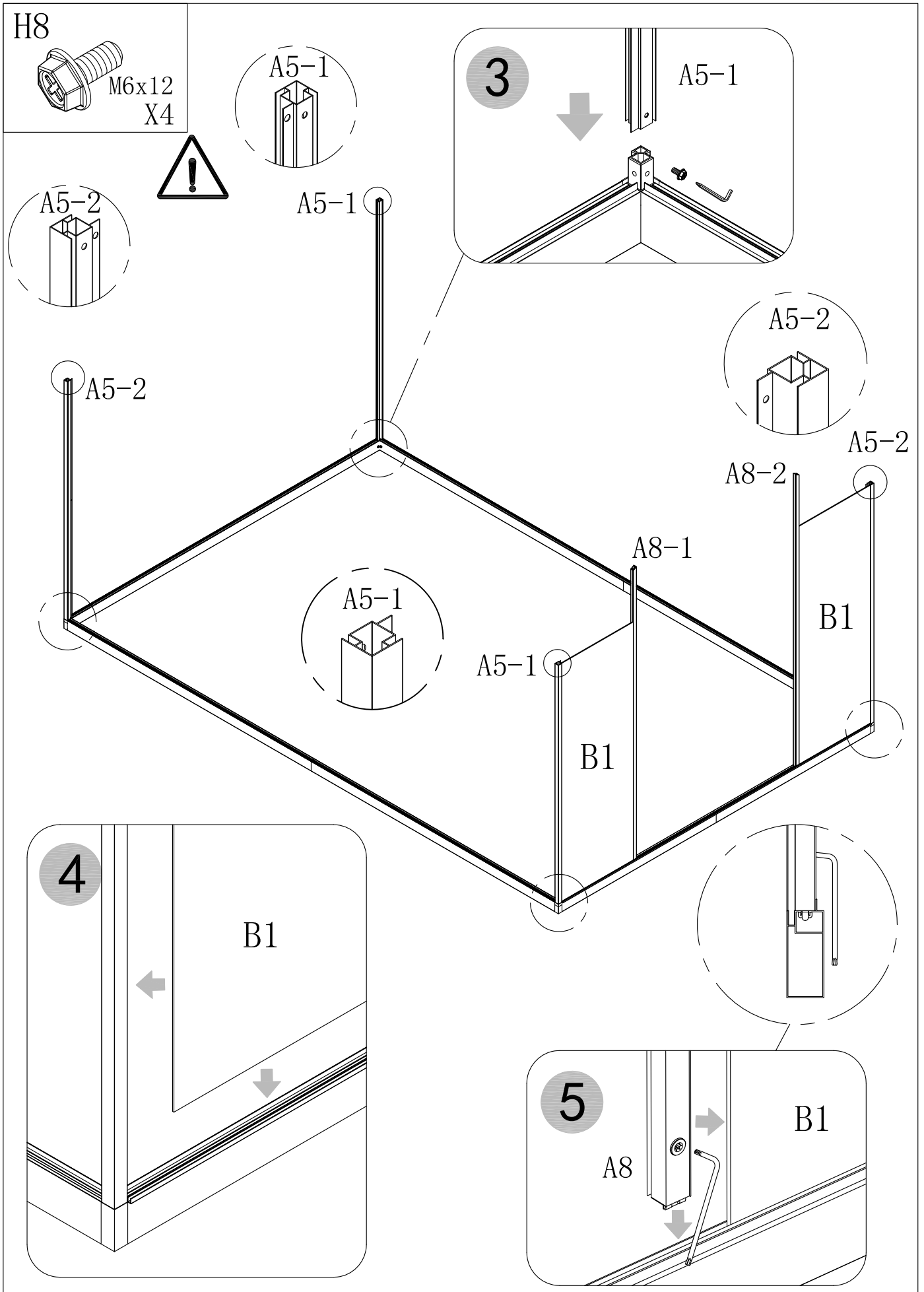
362x187x195cm

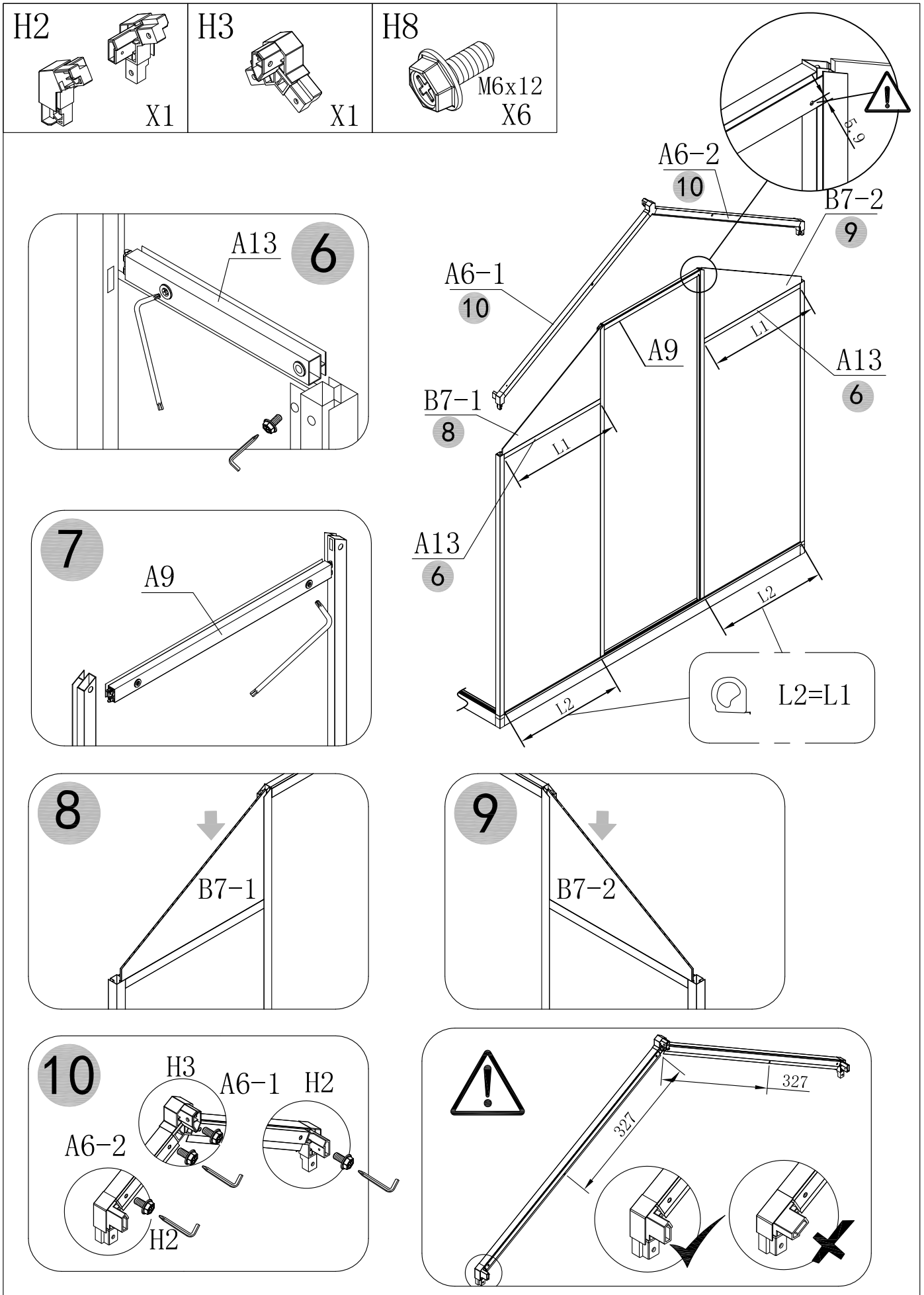
     				
 <p>A</p>	 <p>A1-1 X1</p>	 <p>A1-2 X1</p>	 <p>A2-1 X2</p>	 <p>A2-2 X2</p>
 <p>A3-1 X2</p>	 <p>A3-2 X2</p>	 <p>A4 X2</p>	 <p>A5-1 X2</p>	 <p>A5-2 X2</p>
 <p>A6-1 X1</p>	 <p>A6-2 X1</p>	 <p>A7-1 X1</p>	 <p>A7-2 X1</p>	 <p>A8-1 X1</p>
 <p>A8-2 X1</p>	 <p>A9 X1</p>	 <p>A10-1 X2</p>	 <p>A10-2 X2</p>	 <p>A11-1 X1</p>
 <p>A11-2 X1</p>	 <p>A13 X4</p>	 <p>A14 X3</p>	 <p>A15 X10</p>	 <p>A16 X6</p>
 <p>A18 X2</p>	 <p>A20 X1</p>	 <p>A21 X1</p>	 <p>A22 X1</p>	 <p>A23-1 X1</p>
 <p>A23-3 X1</p>	 <p>A27 X4</p>	 <p>A28 X8</p>	 <p>A29 X1</p>	 <p>A30 X2</p>
 <p>A31 X2</p>	 <p>A32 X2</p>	 <p>A33 X1</p>		

	H1  X4	H2  X2	H3  X2	H5  X2
H6  M6x30 X14	H7  X1	H8  M6x12 X39	H9  M6 X22	H10  4x10 X16
H11  4x8 X4	H12  5x10 X4	H13  5x16 X16	H14  X1	H15  X1
H16  X2	H17  X4	H18  M6x20 X24	H19  X2	H21  X2
H22  4x16 X1	H23  M4X40 X2	H24  M5*20 X1		

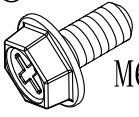
B		B1	5PCS
		B3	12PCS
		B4	10PCS
		B5	2PCS
		B6-1	2PCS
		B6-2	1PC
		B7-1	2PC
		B7-2	2PC
		B8	1PC
		B11	2PCS
	B10	1PC	





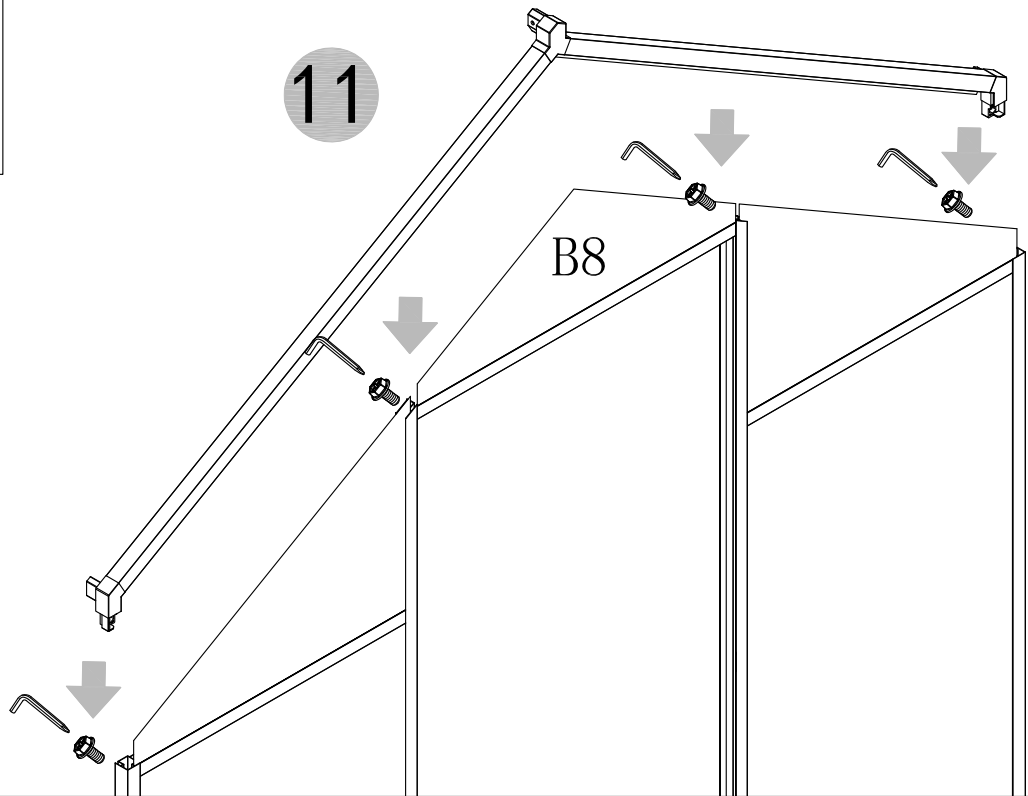


H8

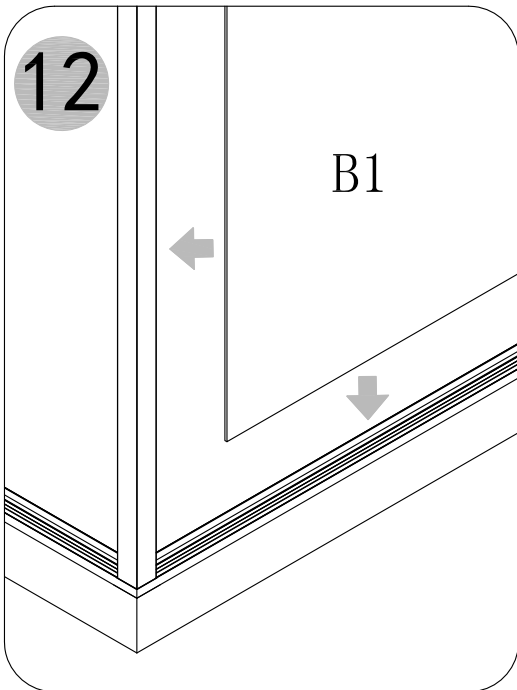


M6x12  
X4

11



12



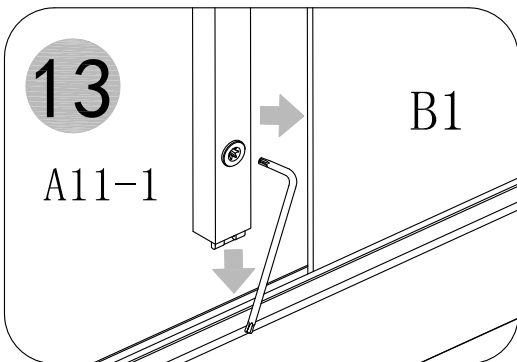
B1

A11-1

A11-2

B1

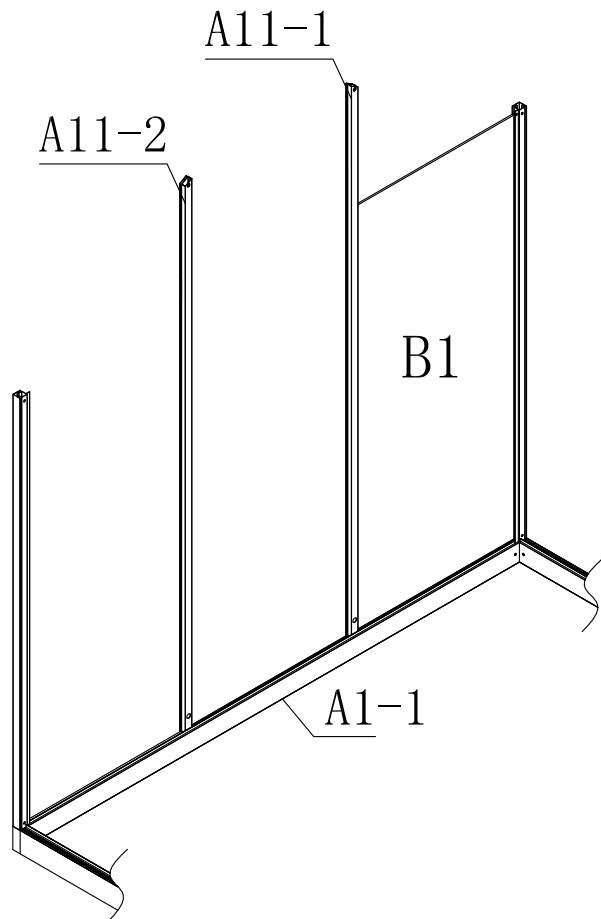
13



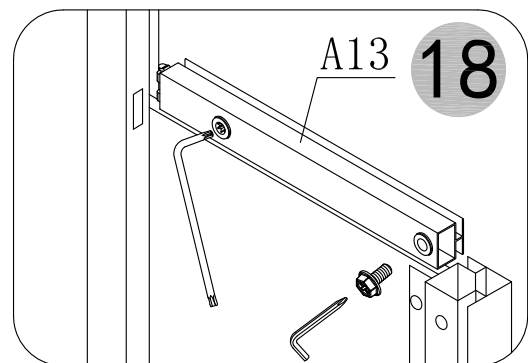
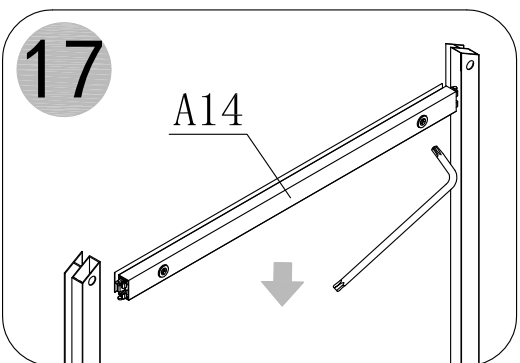
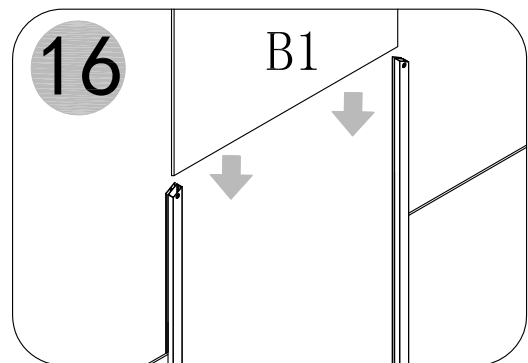
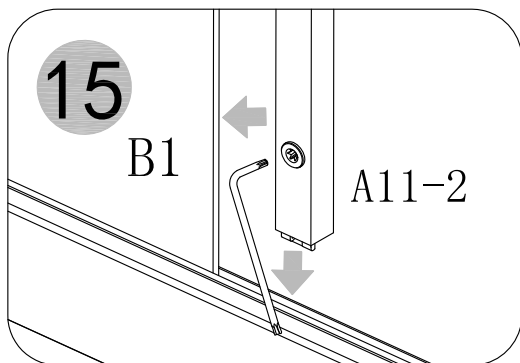
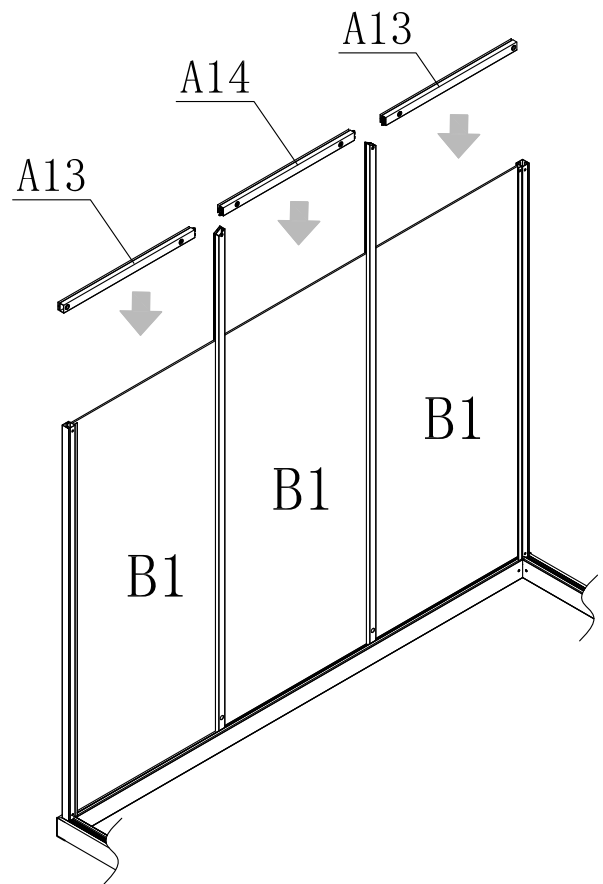
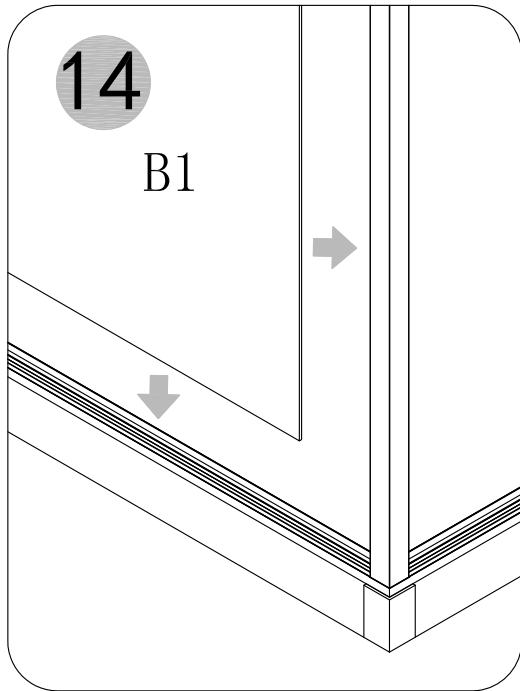
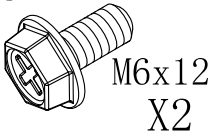
B1

A11-1

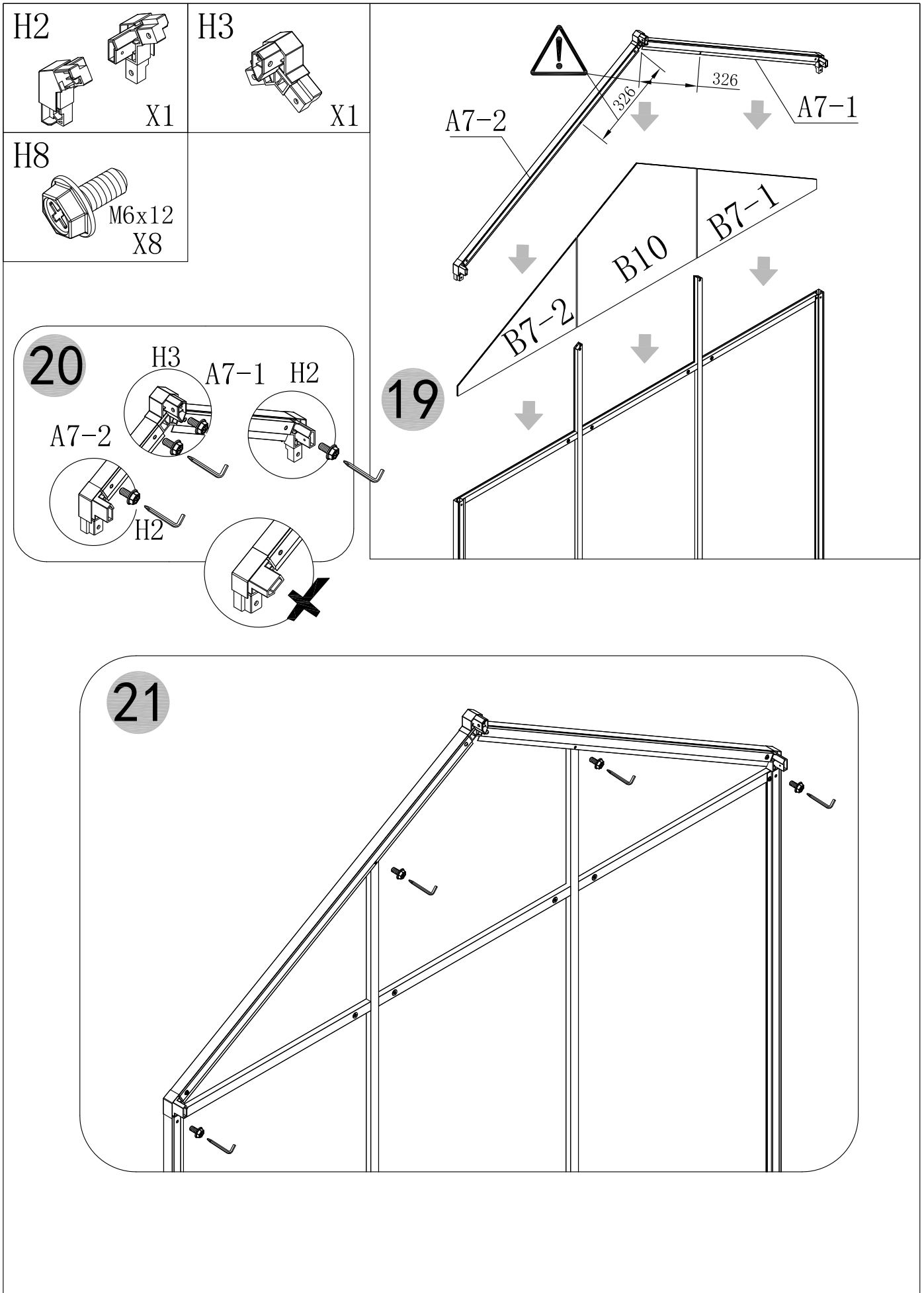
A1-1

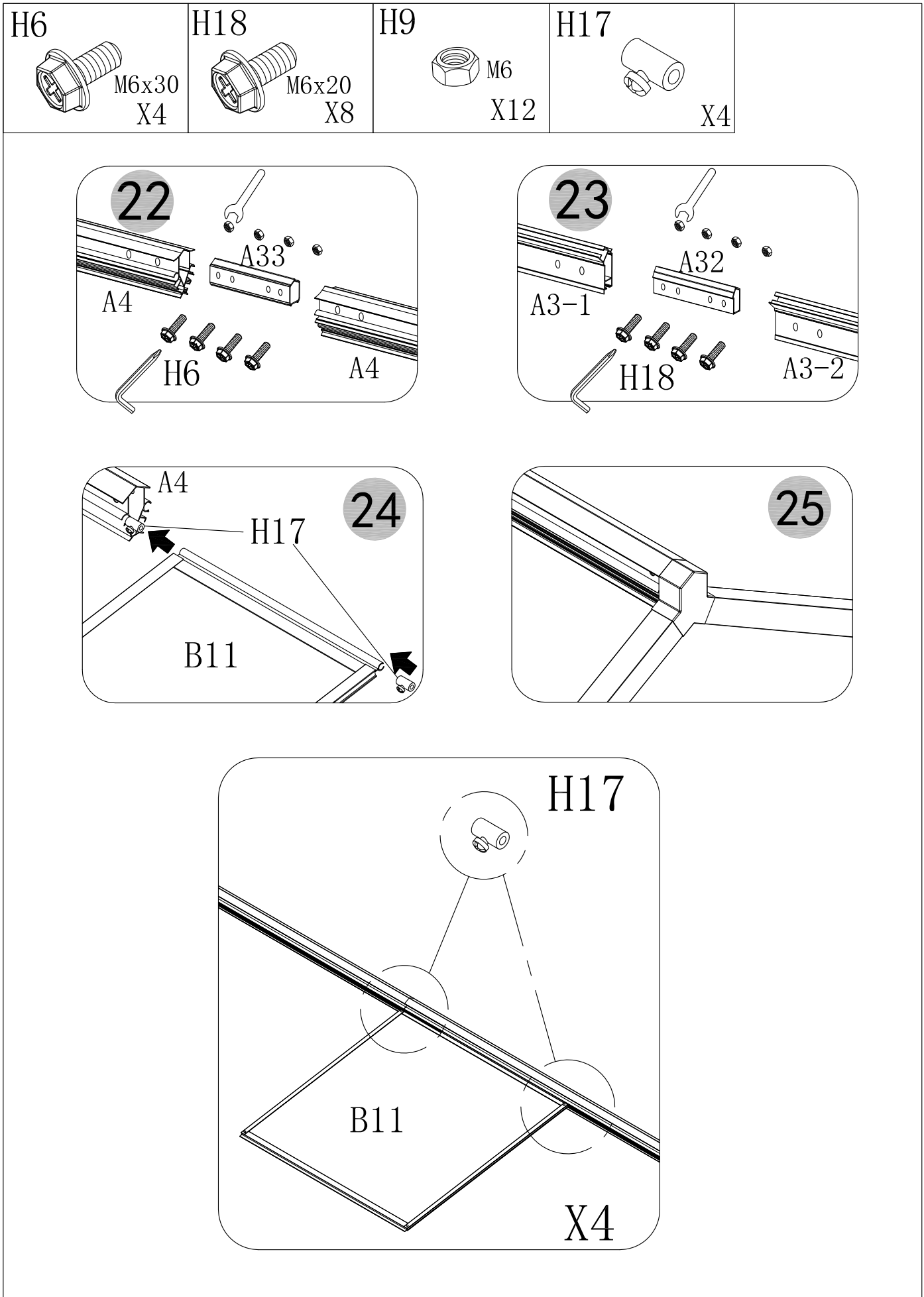


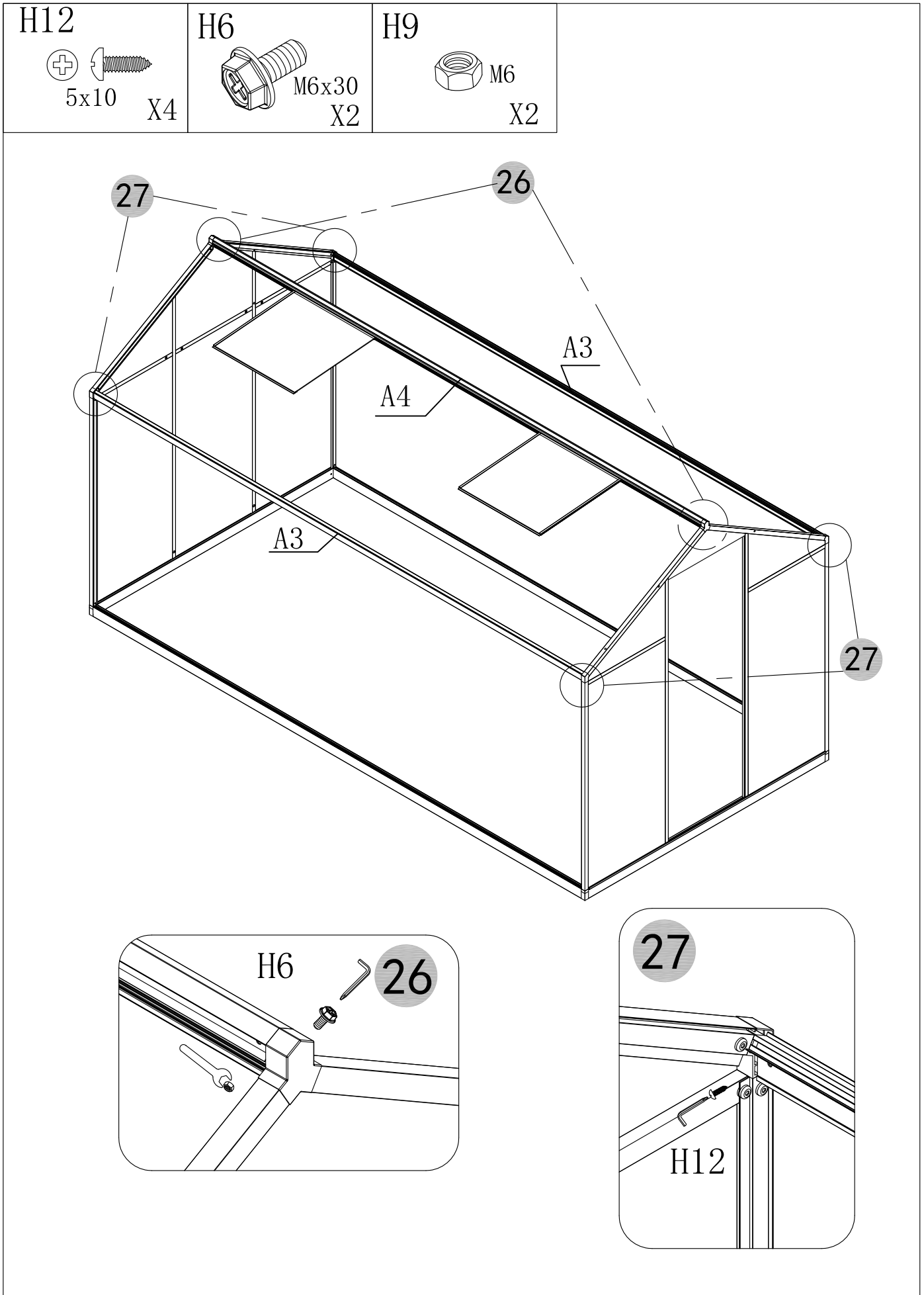
H8

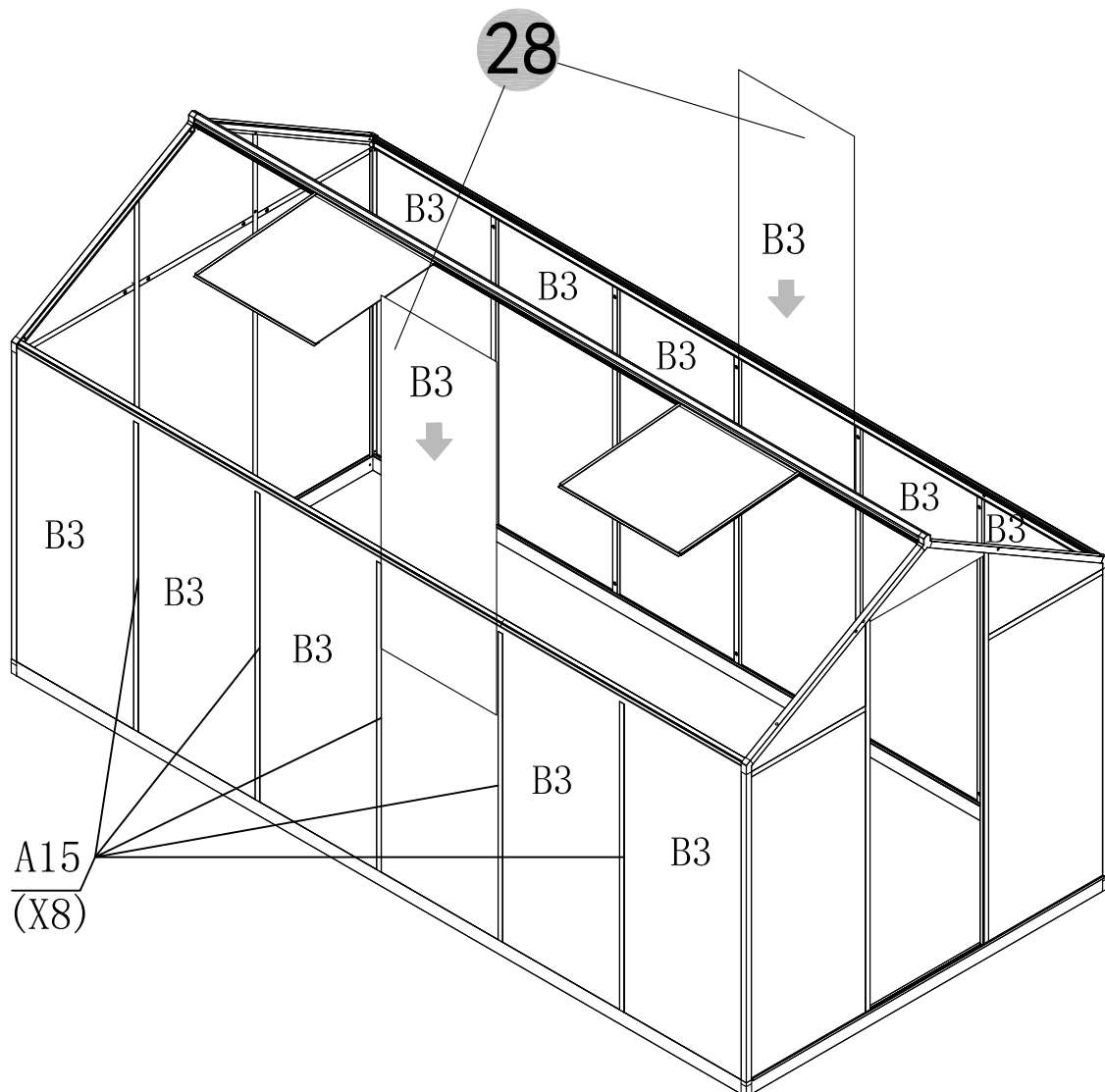
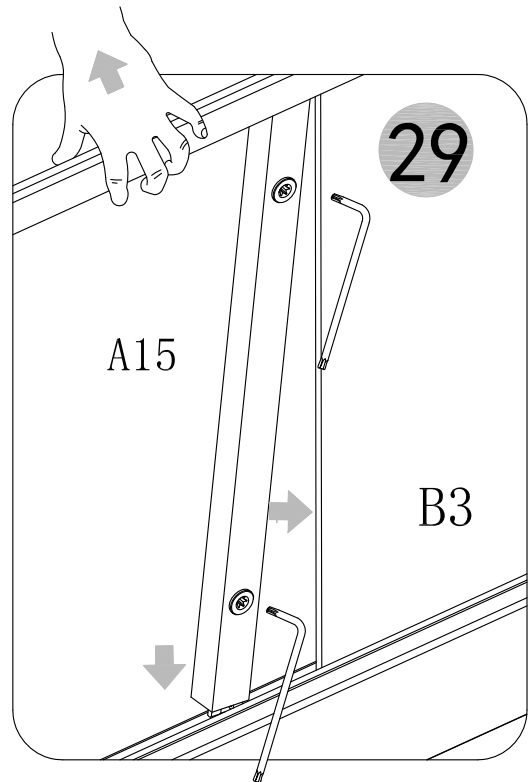
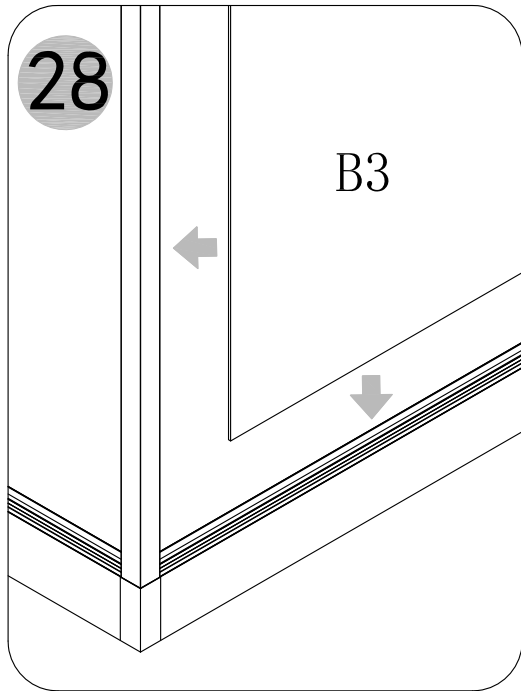




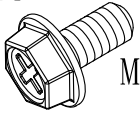




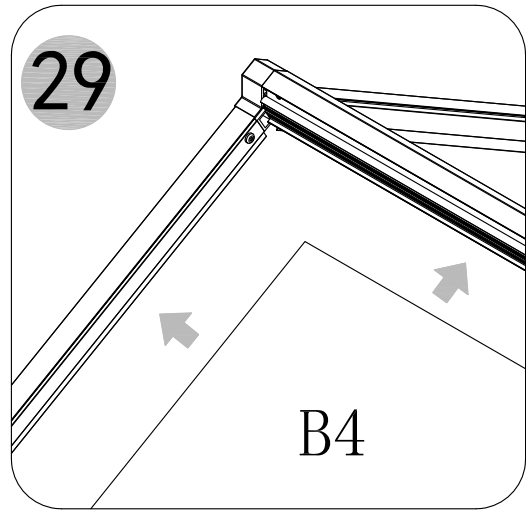




H8

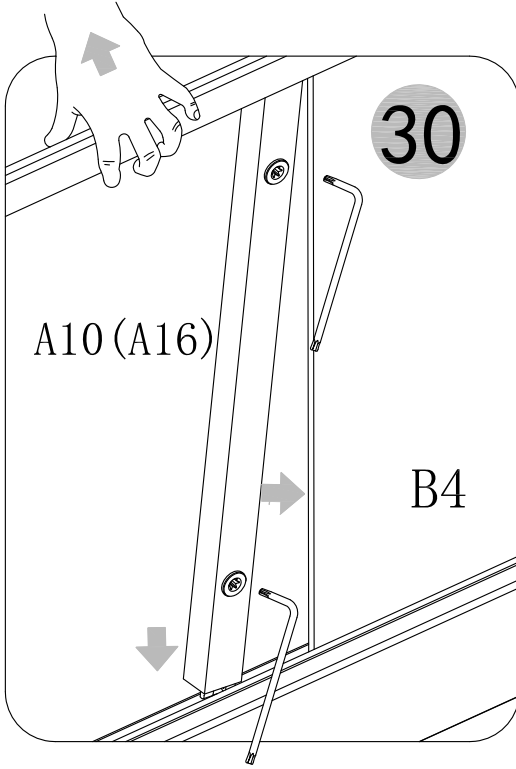


M6x12  
X4



29

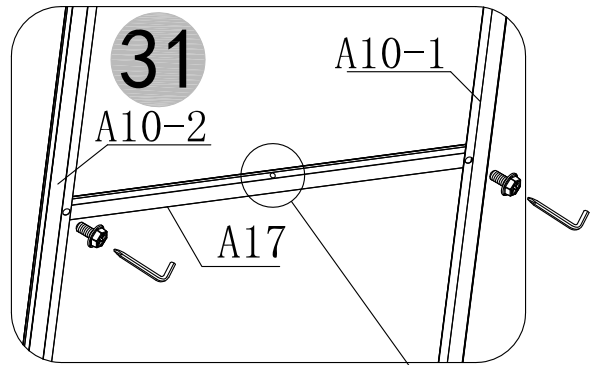
B4



30

A10 (A16)

B4



31

A10-1

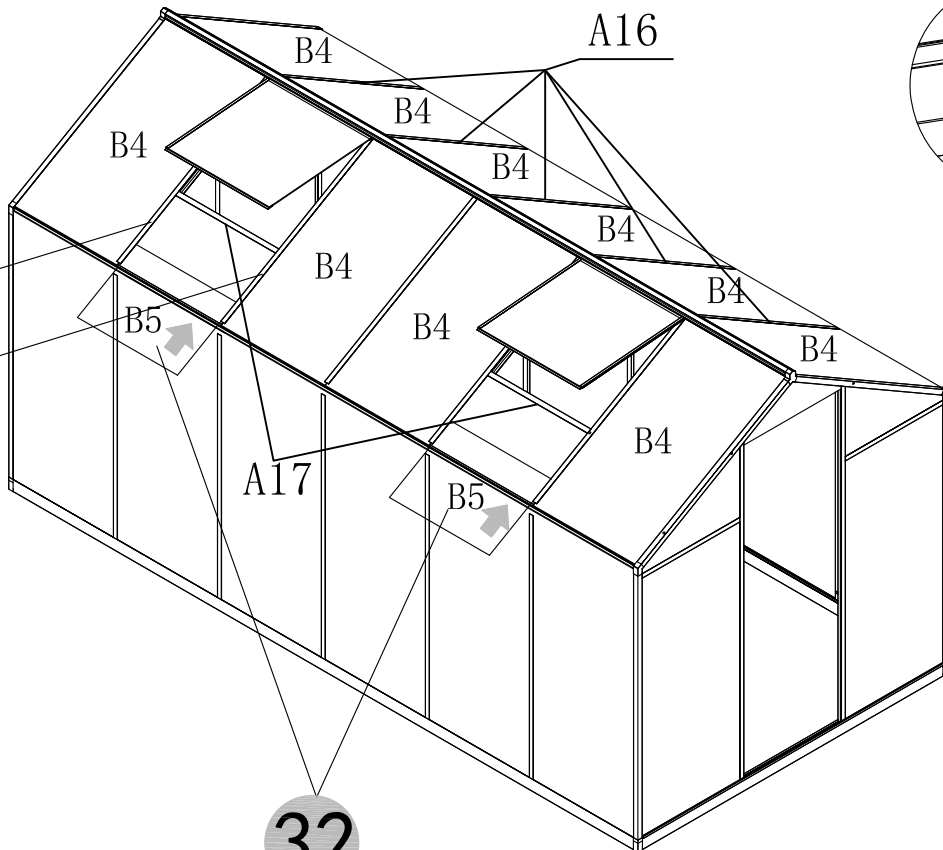
A10-2

A17

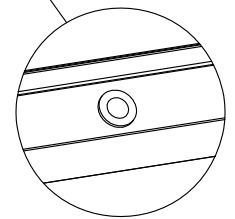


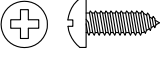
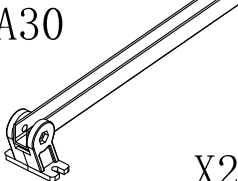
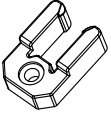
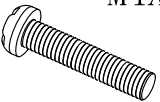
A10-1

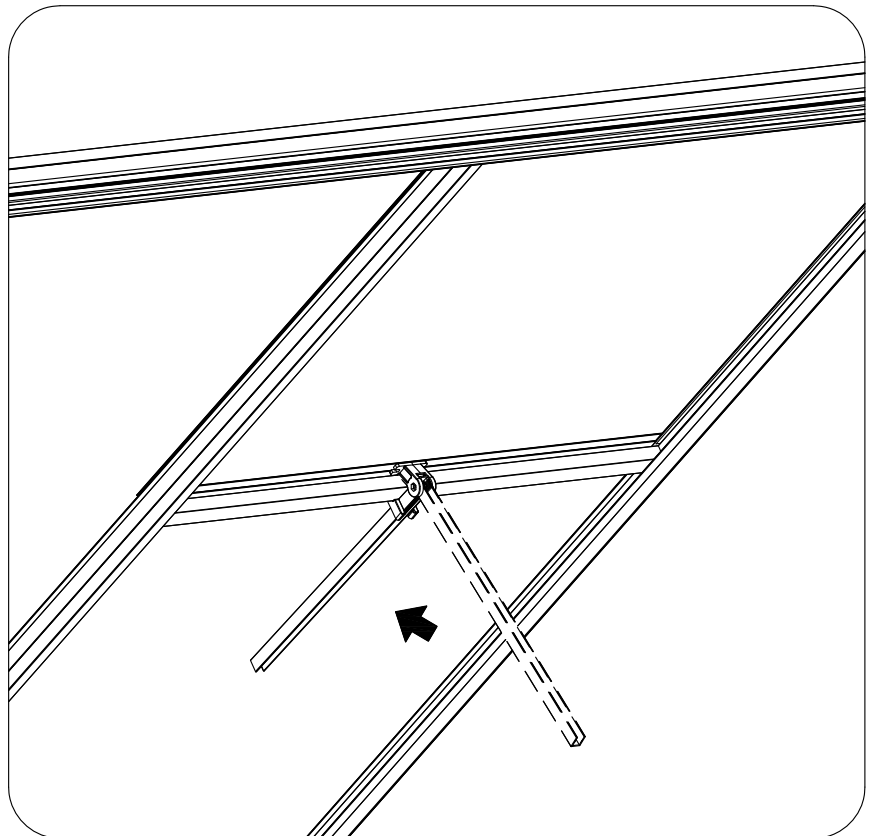
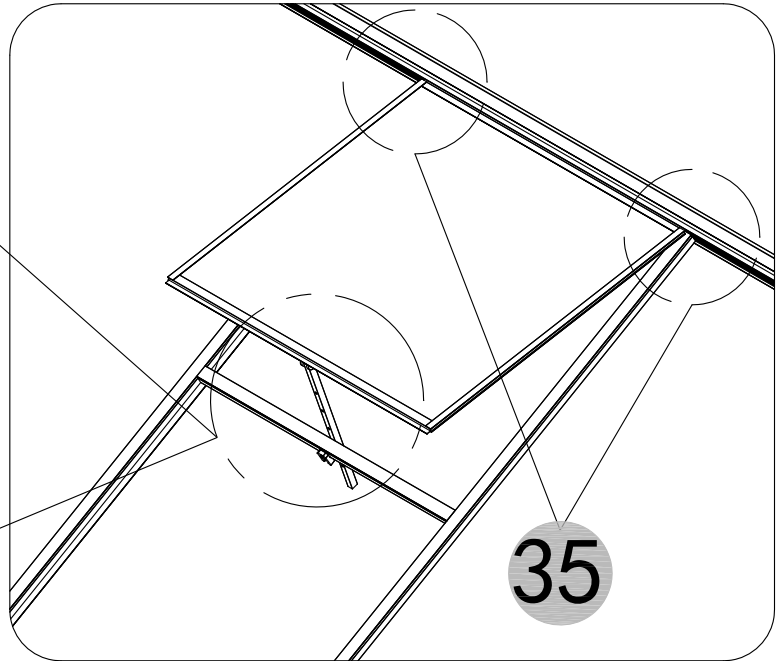
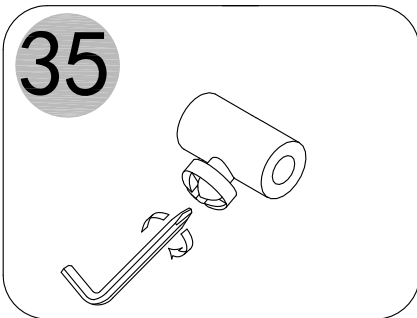
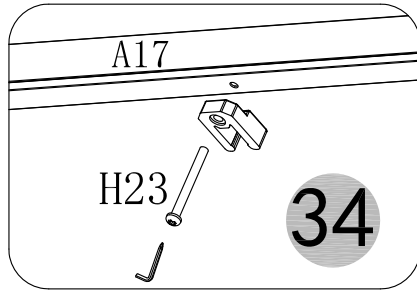
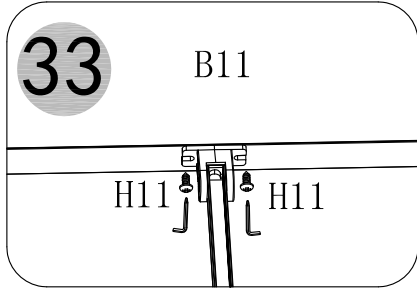
A10-2

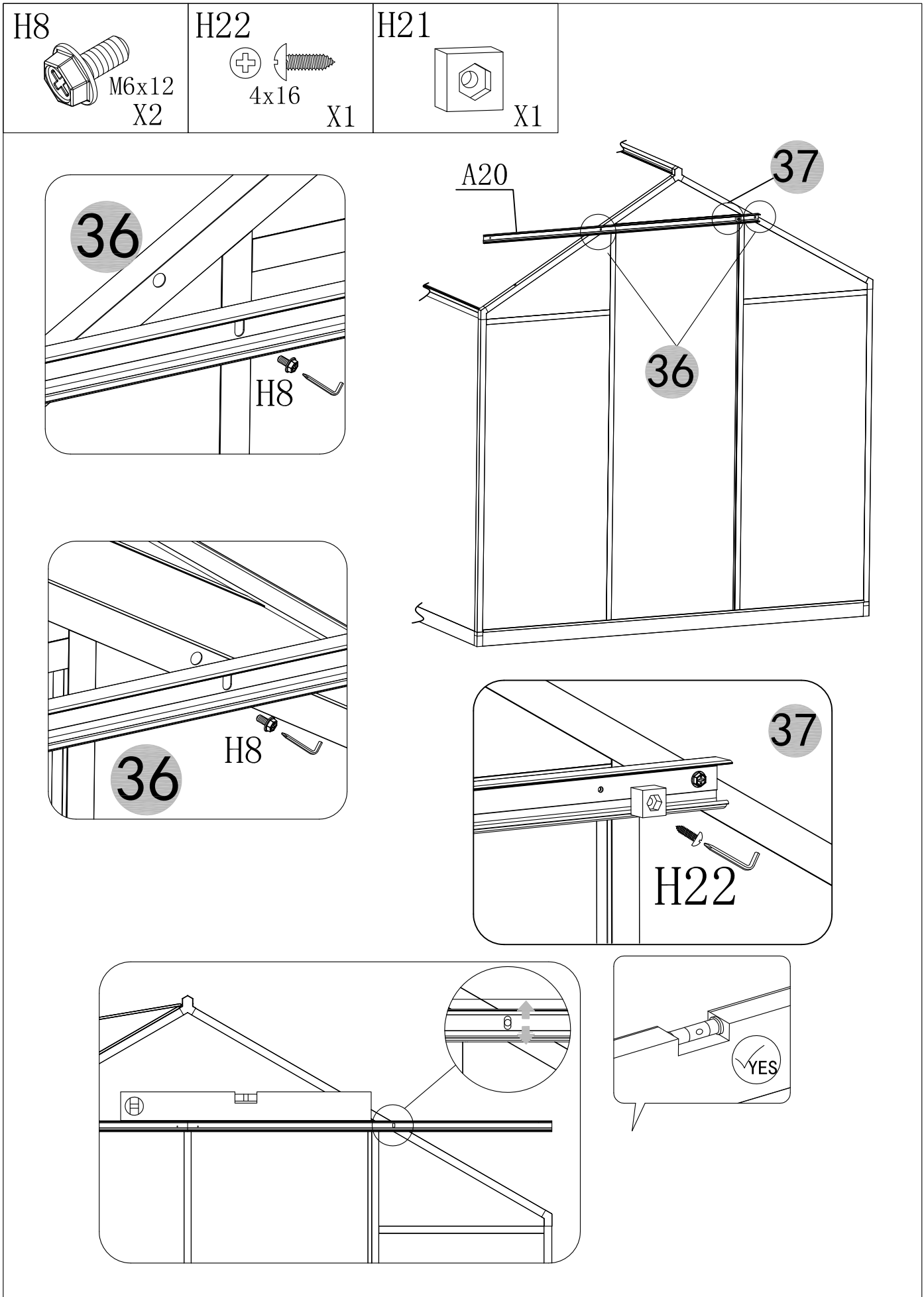


32

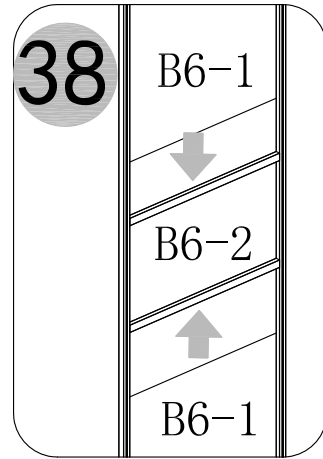
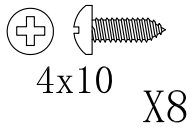


<p>H11</p>  <p>4x8 X4</p>	<p>A30</p>  <p>X2</p>	<p>H16</p>  <p>X2</p>	<p>H23</p> <p>M4X40</p>  <p>X2</p>
--	--	--	--

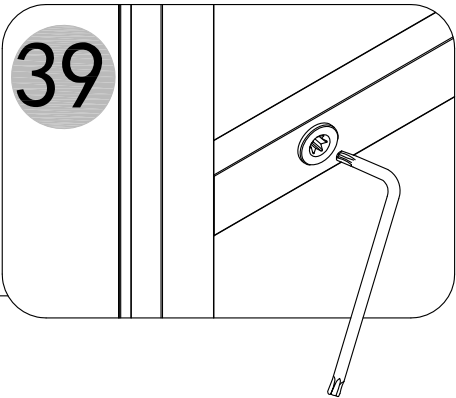
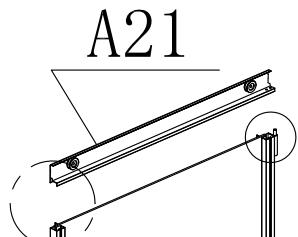




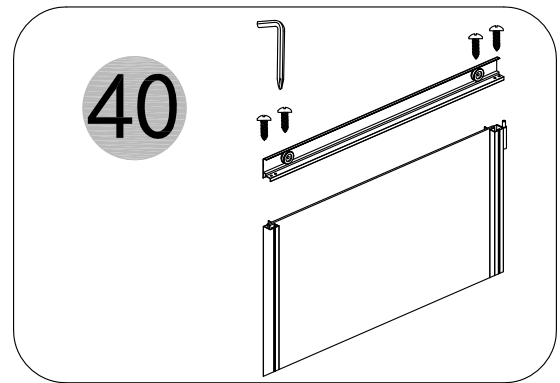
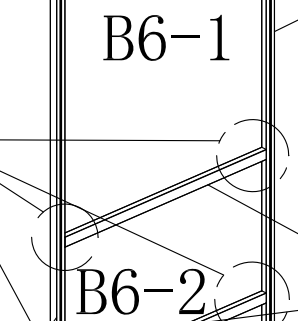
H10



40

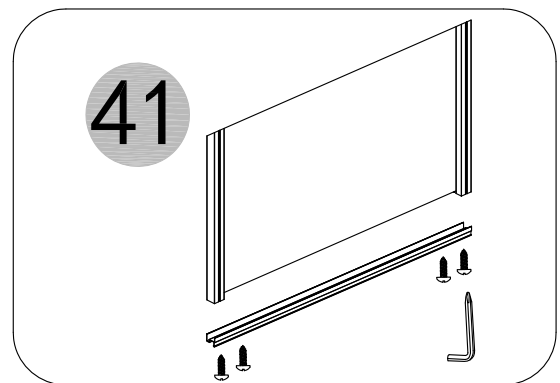
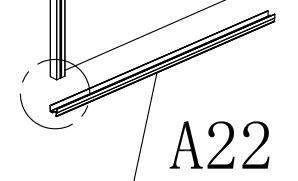


39

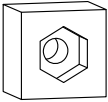
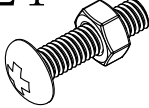
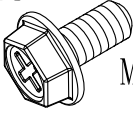


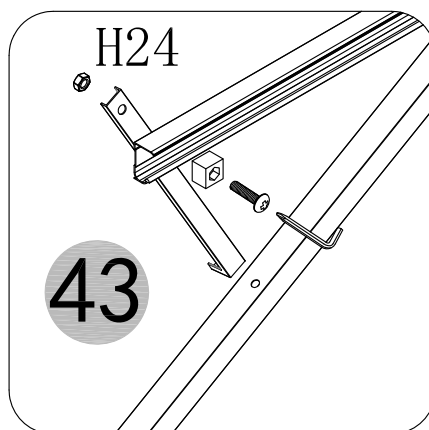
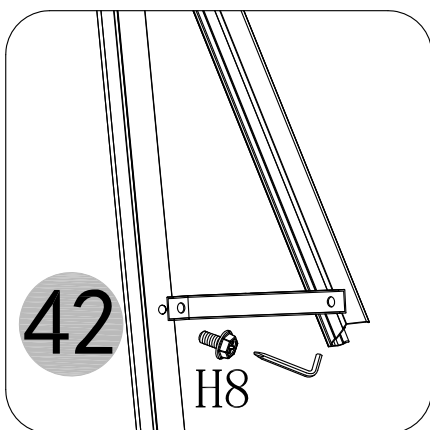
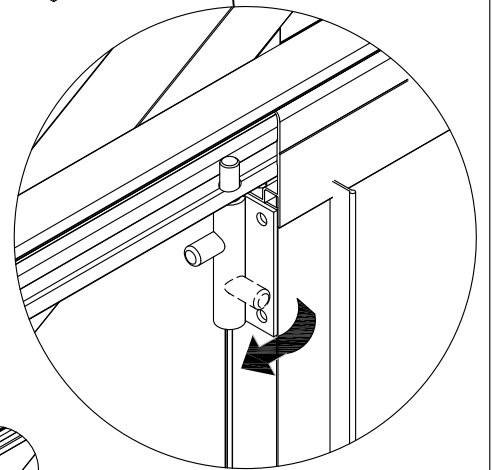
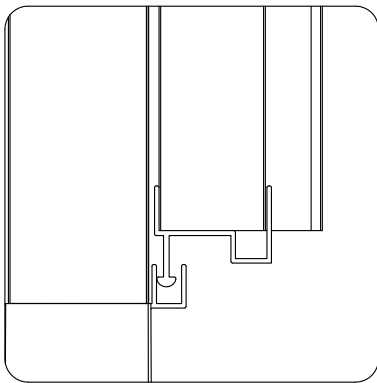
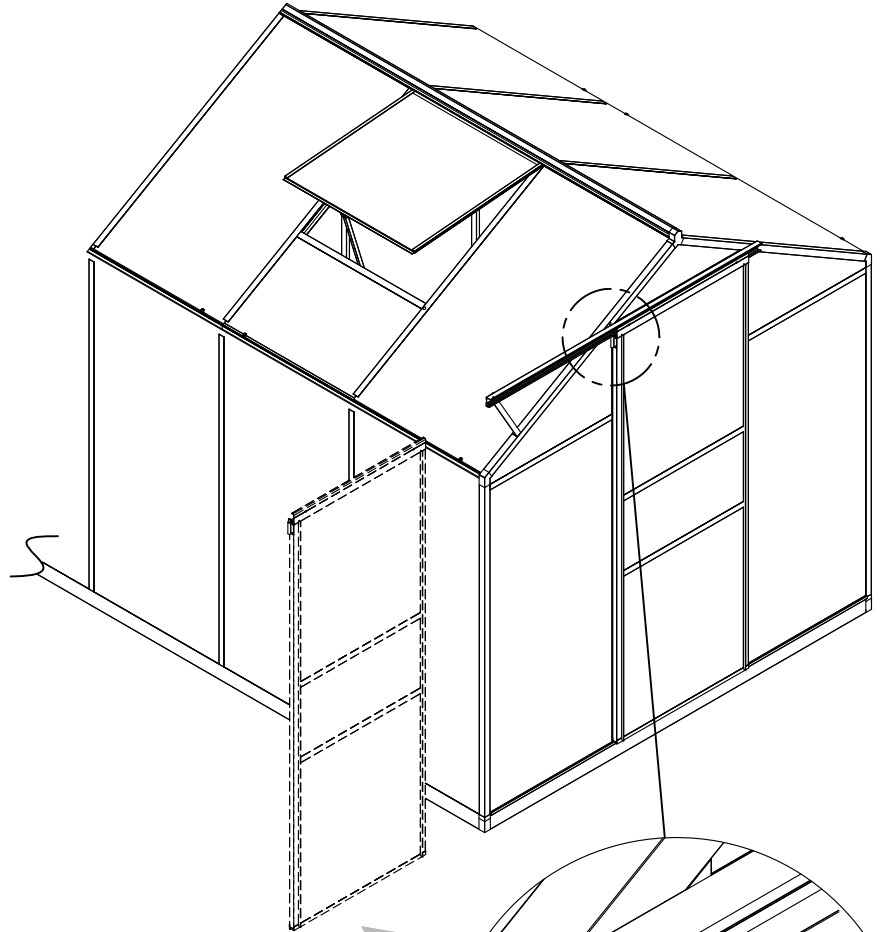
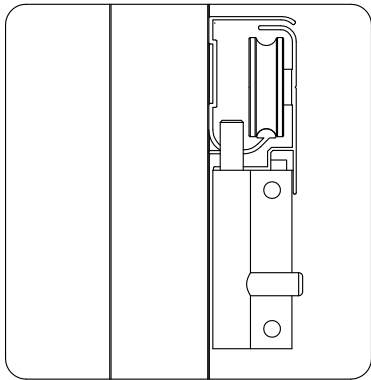
A23-3

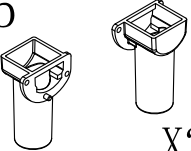
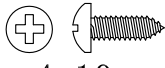
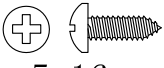

41

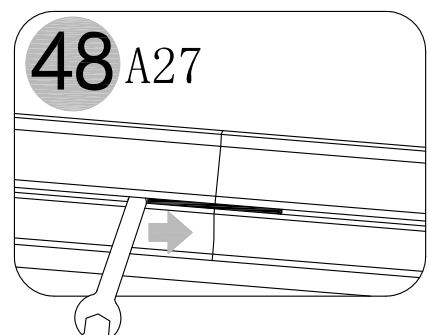
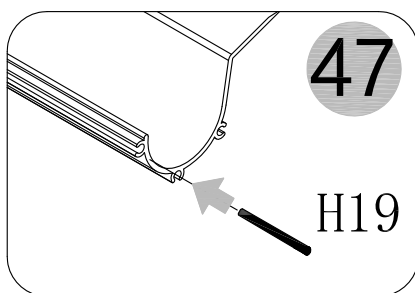
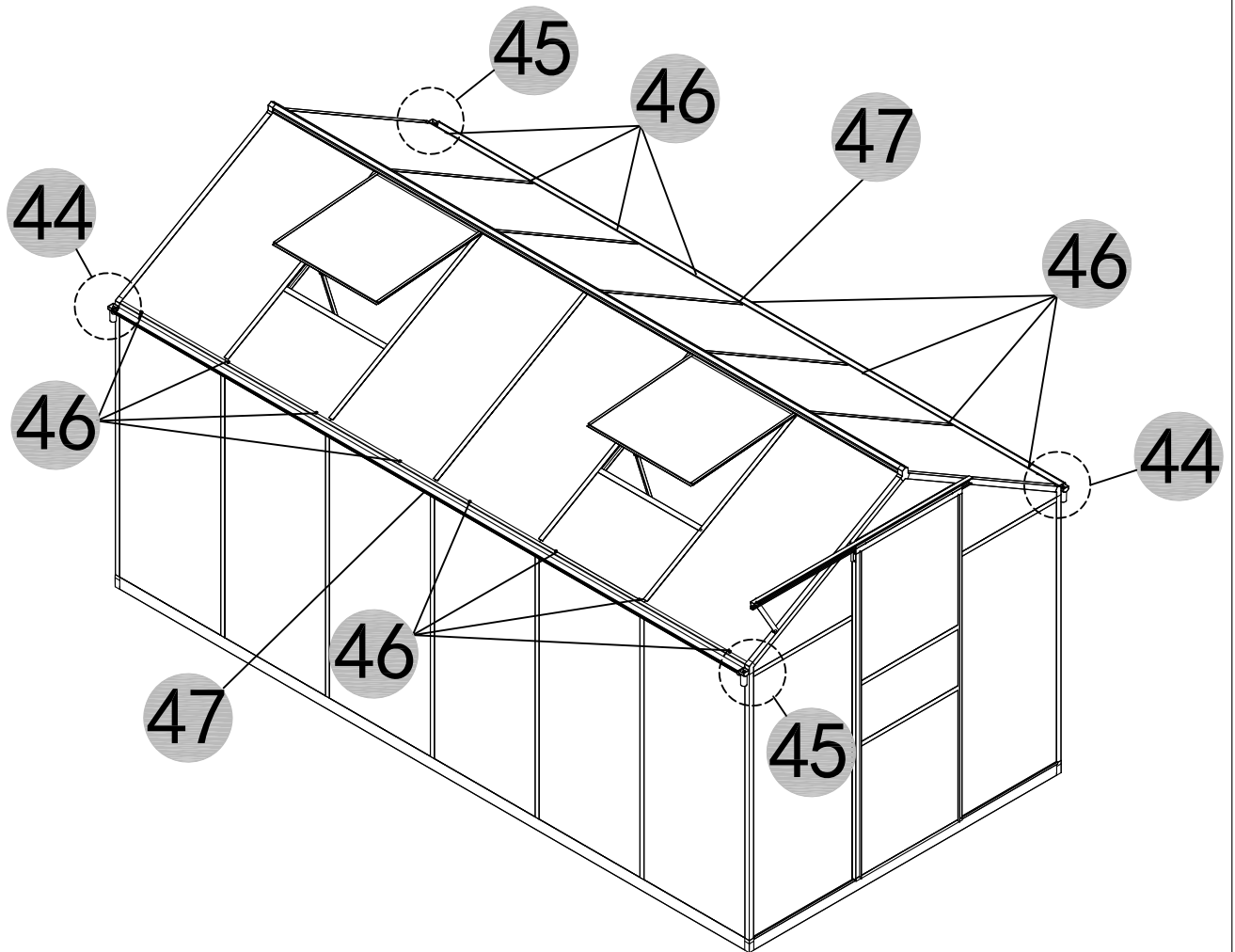
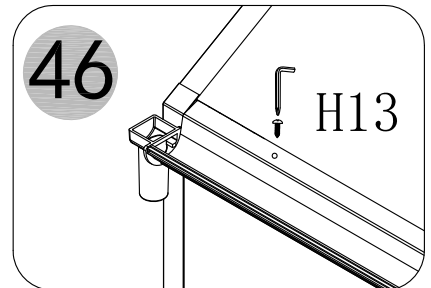
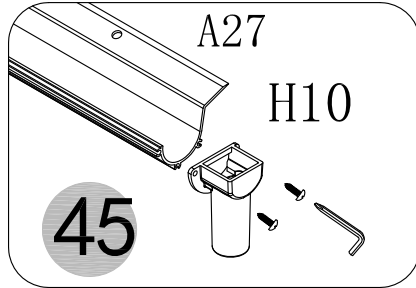
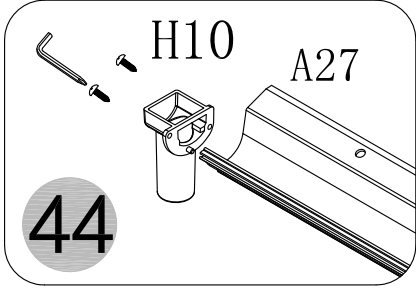




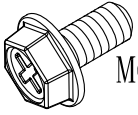
<p>H21</p>  <p>X1</p>	<p>H24</p>  <p>X1</p>	<p>H8</p>  <p>M6x12 X1</p>
--	--	---



<p>H5</p>  <p>X2</p>	<p>H10</p>  <p>4x10 X8</p>	<p>H13</p>  <p>5x16 X16</p>	<p>H19</p>  <p>X2</p>
---	---	--	--



H18



M6x20  
X16

