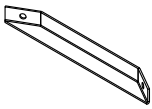

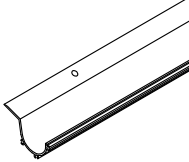
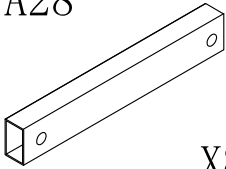
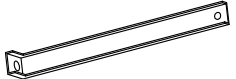
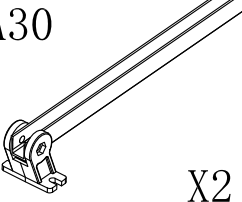
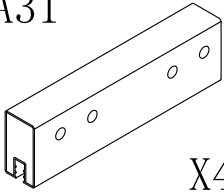
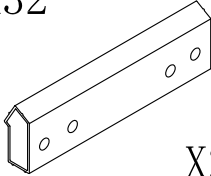
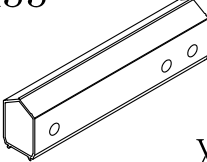

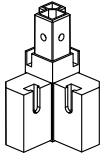
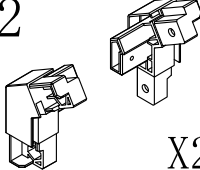
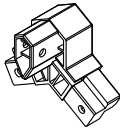
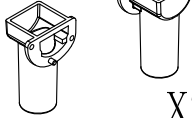
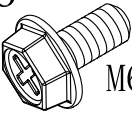



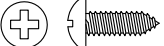
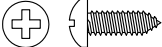


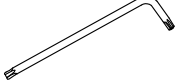

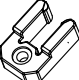
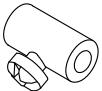

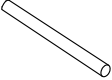
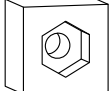

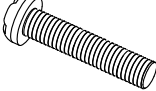
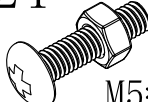
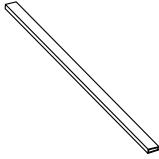

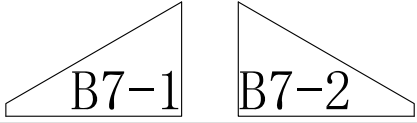
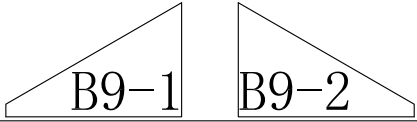
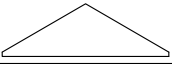

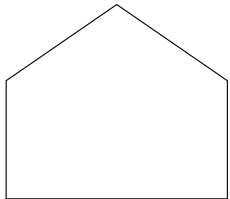
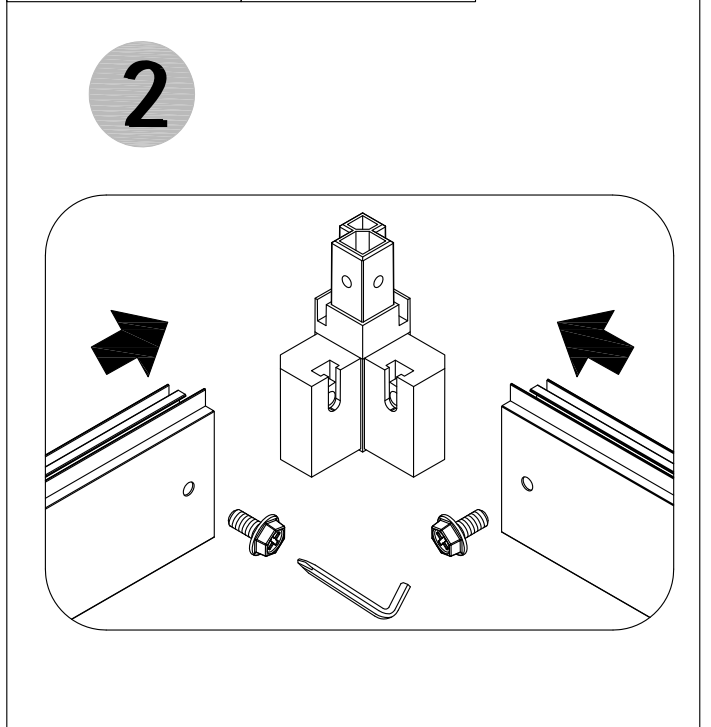
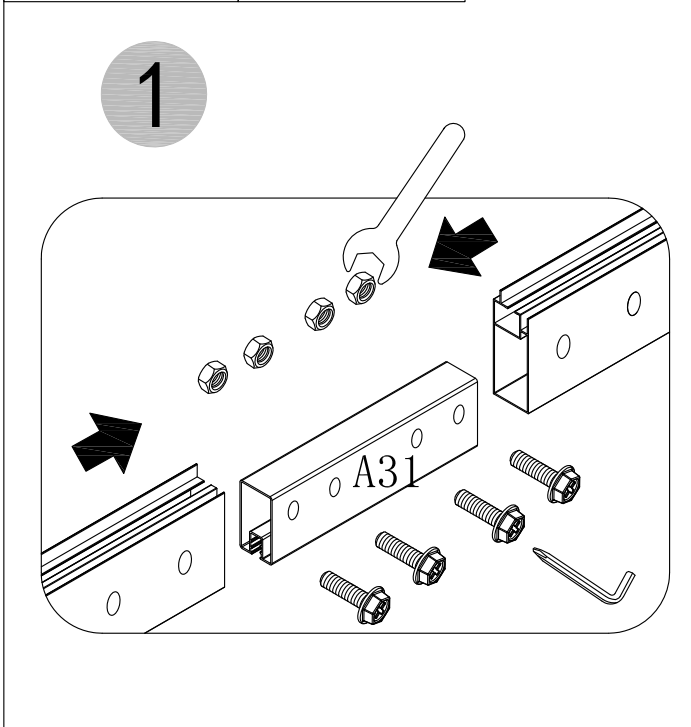
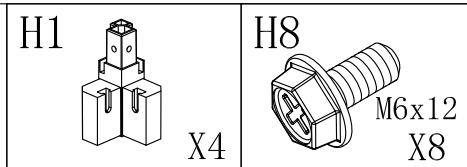
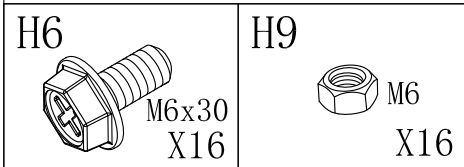
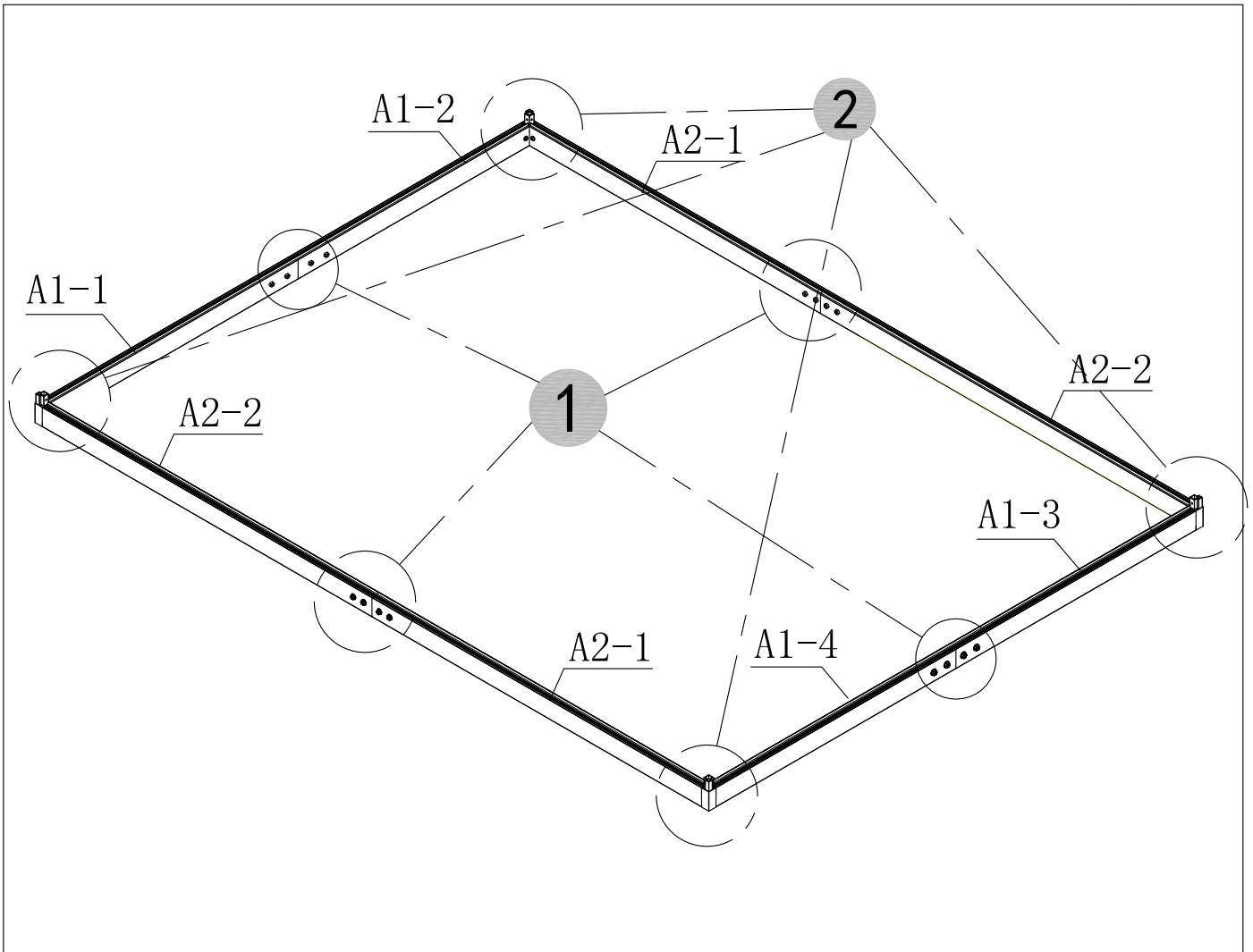


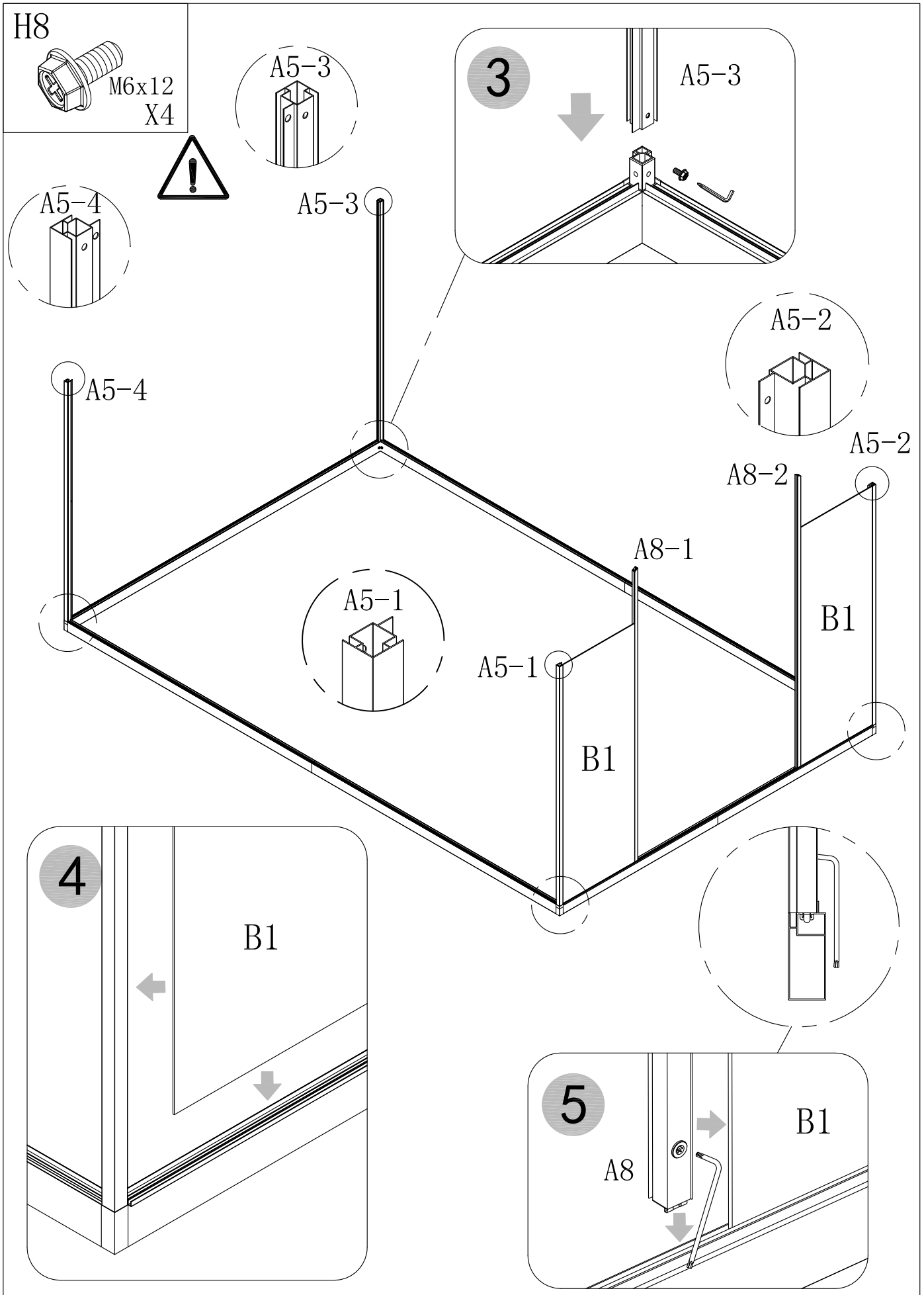
362x247x210cm

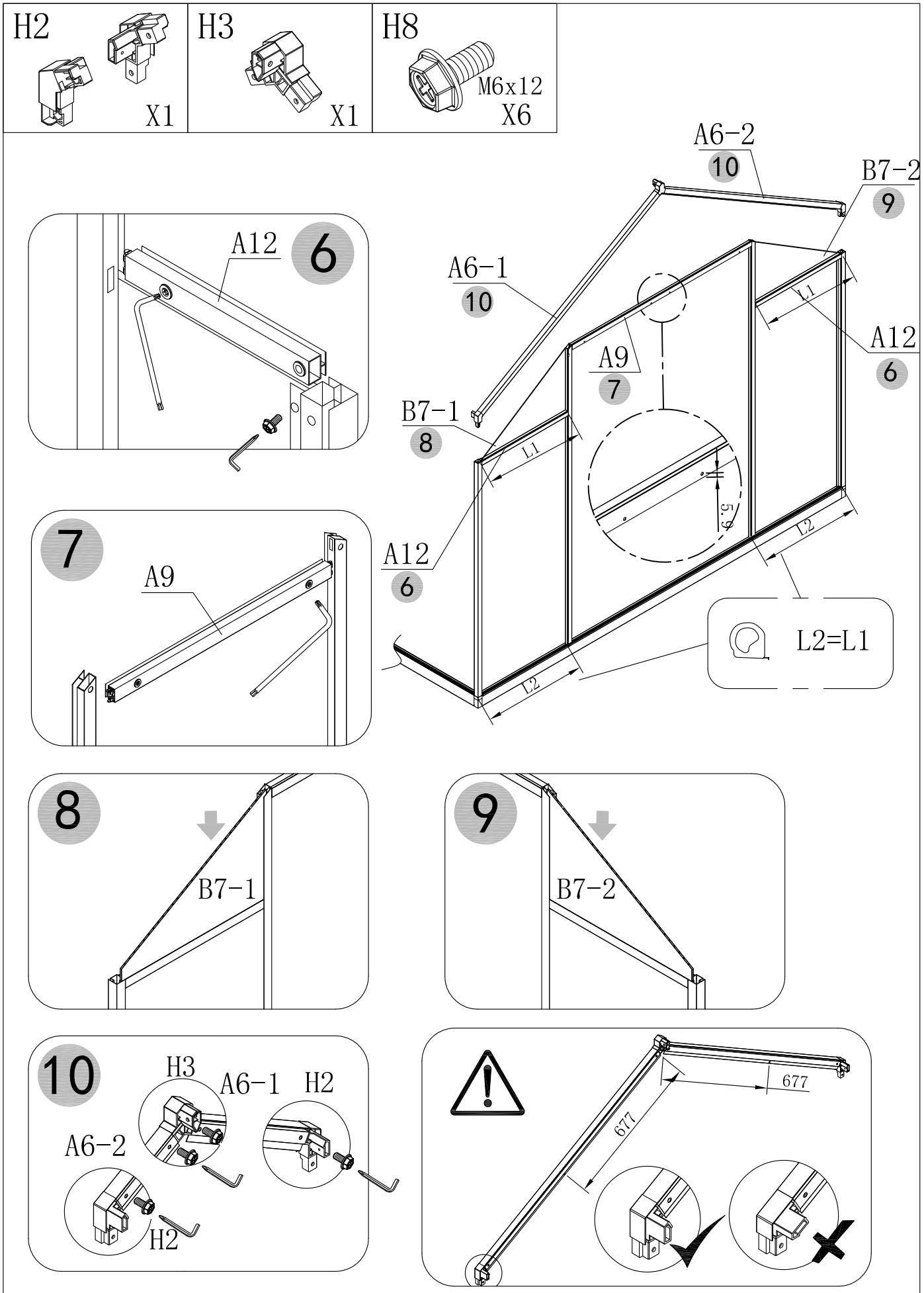
<p>A</p>	<p>A1-1 X1</p>	<p>A1-2 X1</p>	<p>A1-3 X1</p>	<p>A1-4 X1</p>
<p>A2-1 X2</p>	<p>A2-2 X2</p>	<p>A3-1 X2</p>	<p>A3-2 X2</p>	<p>A4 X2</p>
<p>A5-1 X1</p>	<p>A5-2 X1</p>	<p>A5-3 X1</p>	<p>A5-4 X1</p>	<p>A6-1 X1</p>
<p>A6-2 X1</p>	<p>A7-1 X1</p>	<p>A7-2 X1</p>	<p>A8-1 X1</p>	<p>A8-2 X1</p>
<p>A9 X1</p>	<p>A10-1 X2</p>	<p>A10-2 X2</p>	<p>A11-1 X1</p>	<p>A11-2 X1</p>
<p>A12 X2</p>	<p>A13 X4</p>	<p>A14 X1</p>	<p>A15 X10</p>	<p>A16 X6</p>
<p>A18 X2</p>	<p>A19 X4</p>	<p>A20-1 X1</p>	<p>A20-2 X1</p>	<p>A21 X2</p>
<p>A22 X2</p>	<p>A23-1 X1</p>	<p>A23-2 X1</p>	<p>A23-3 X2</p>	

A25  X5	A26  X10	A27  X4	A28  X8	A29  X2
A30  X2	A31  X4	A32  X2	A33  X1	
	H1  X4	H2  X2	H3  X2	H5  X2
H6  M6x30 X22	H7  X1	H8  M6x12 X72	H9  M6 X30	H10  4x10 X24
H11  4x8 X4	H12  5x10 X4	H13  5x16 X16	H14  X1	H15  X1
H16  X2	H17  X4	H18  M6x20 X24	H19  X2	H21  X4
H22  4x16 X2	H23  M4x40 X2	H24  M5*20 X2	H25  X15	

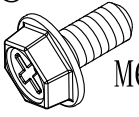
B		B1	2PCS
		B2	4PCS
		B3	12PCS
		B4	10PCS
		B5	2PCS
		B6-1	4PCS
		B6-2	2PCS
		B12	1PC
		B7-1	1PC
		B7-2	1PC
		B9-1	1PC
		B9-2	1PC
		B8	1PC
		B11	2PCS
	B10	1PC	





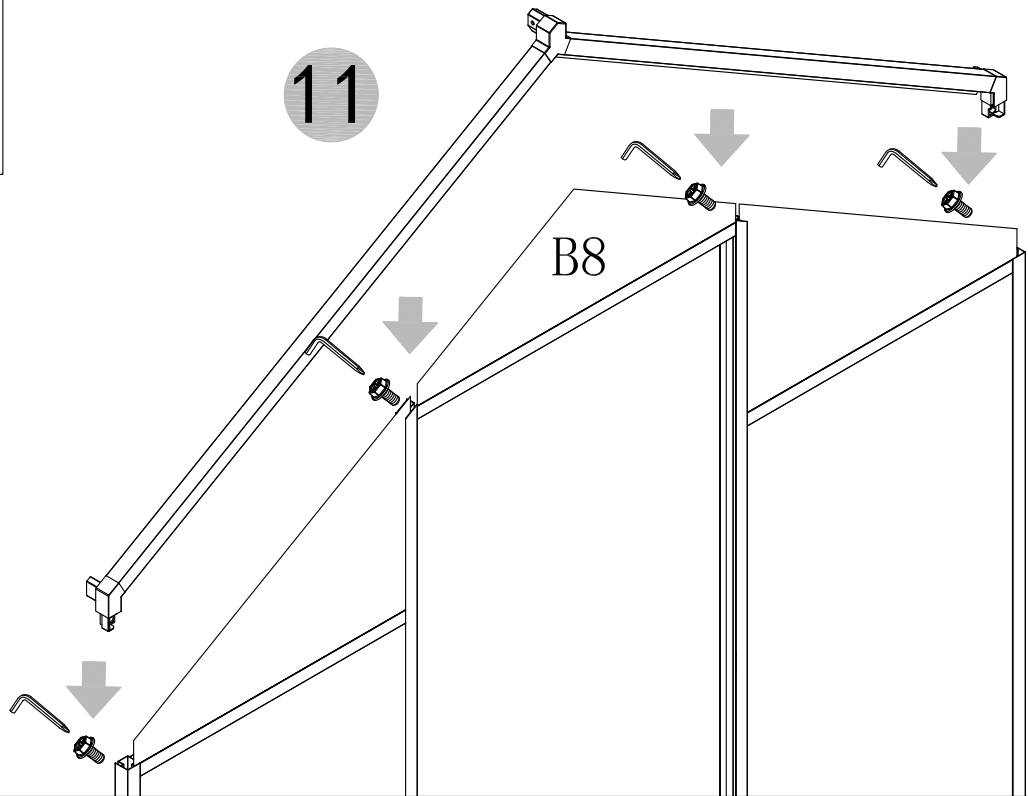


H8

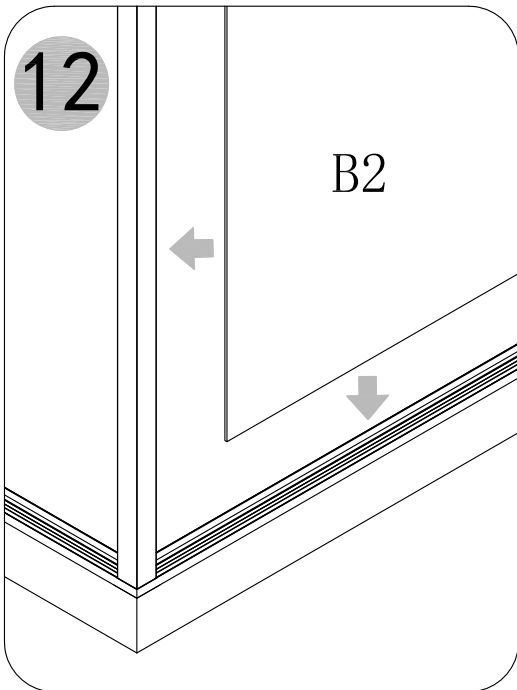


M6x12  
X4

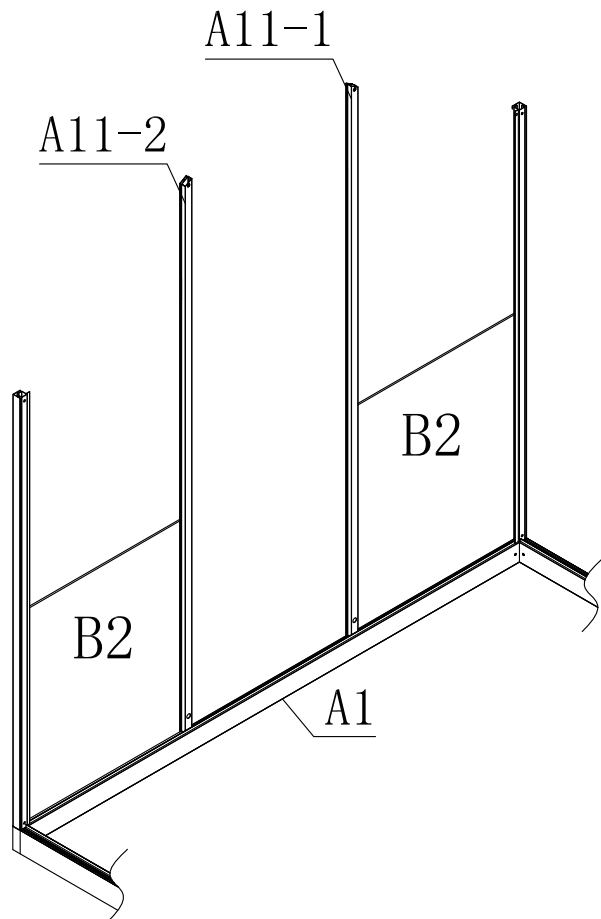
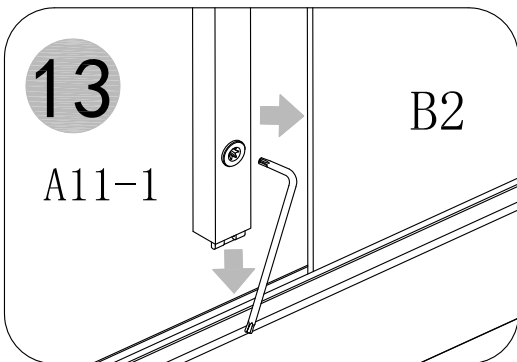
11



12

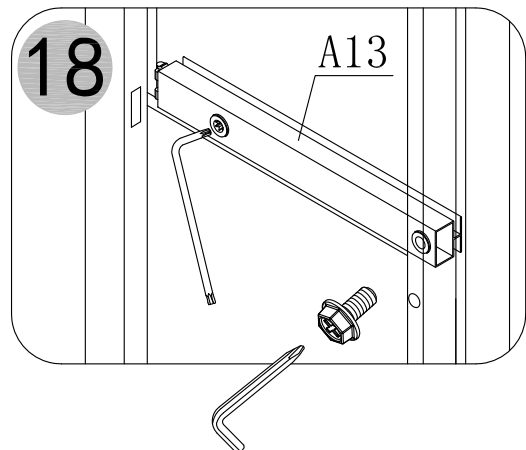
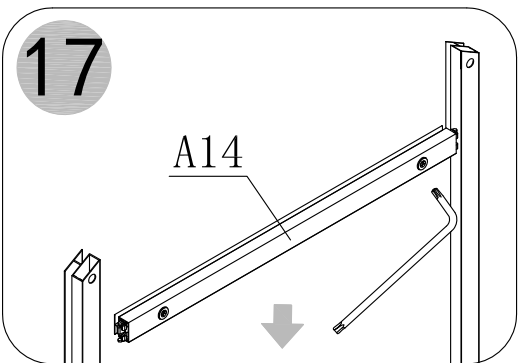
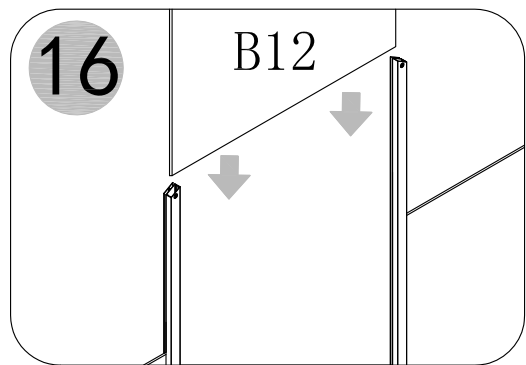
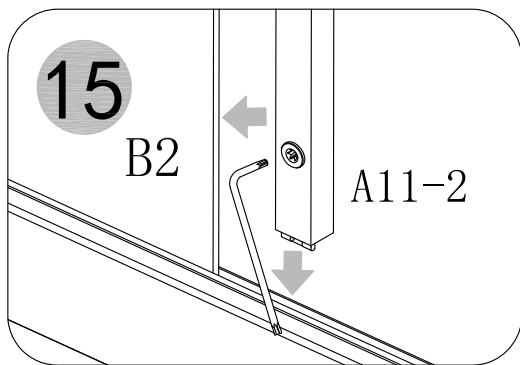
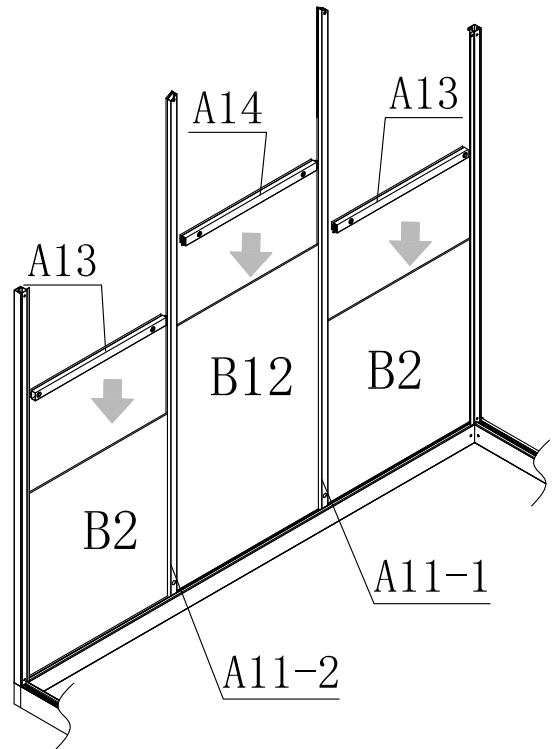
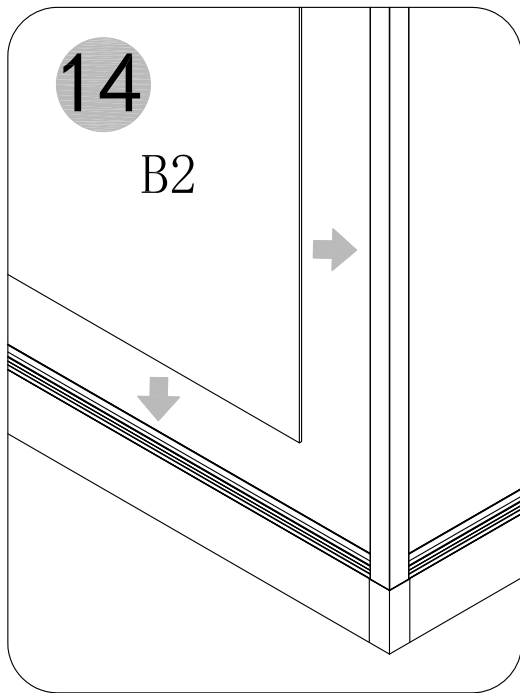
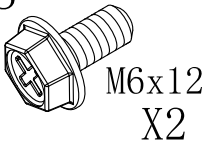


13

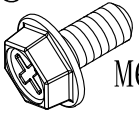




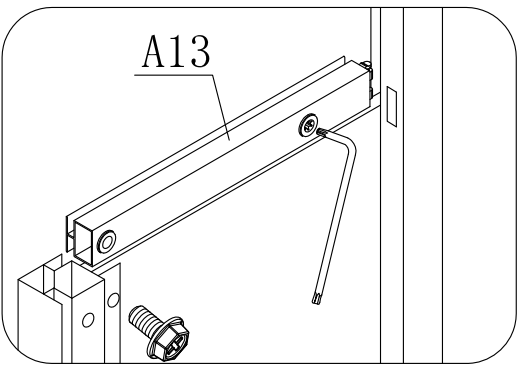
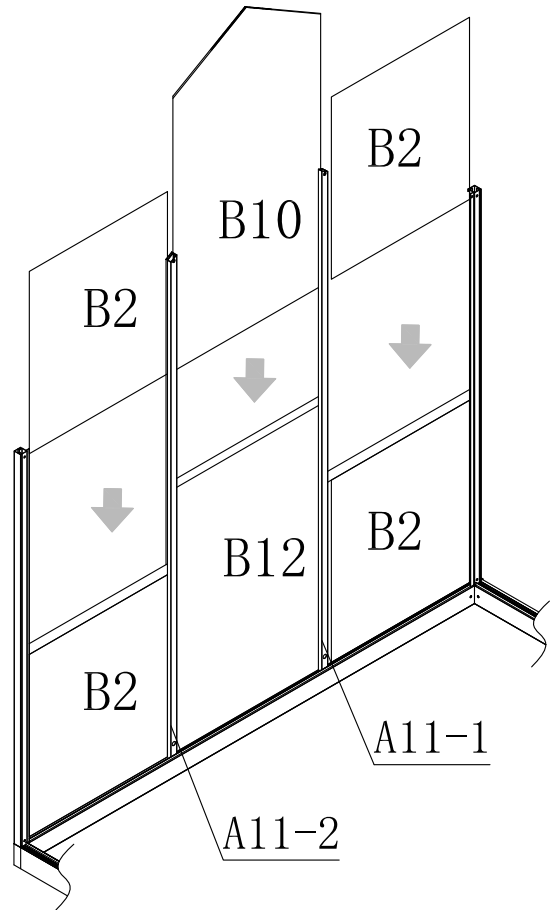
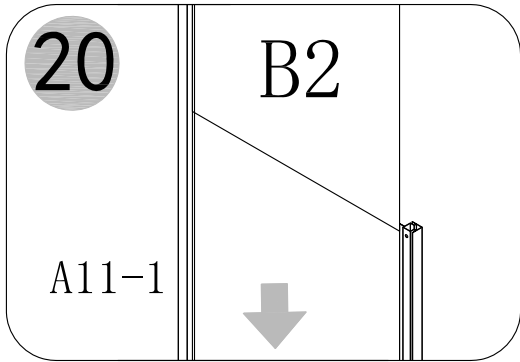
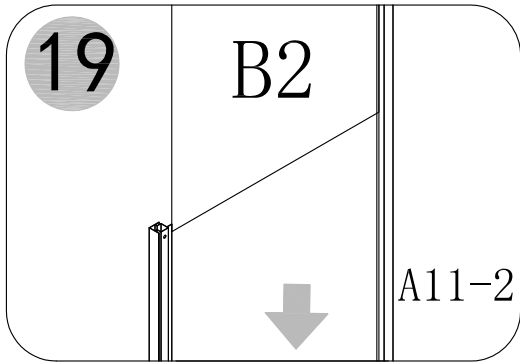
H8



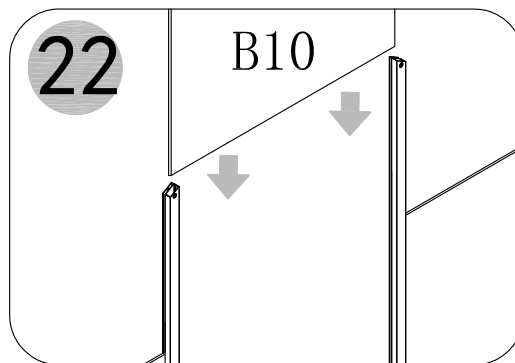
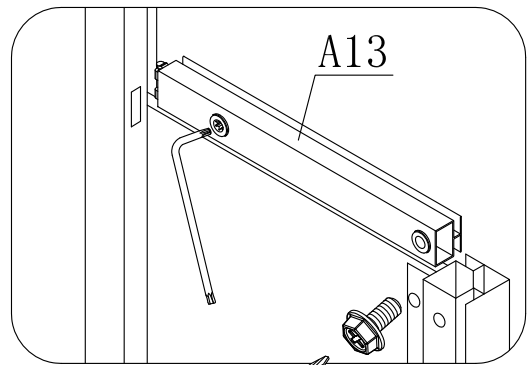
H8

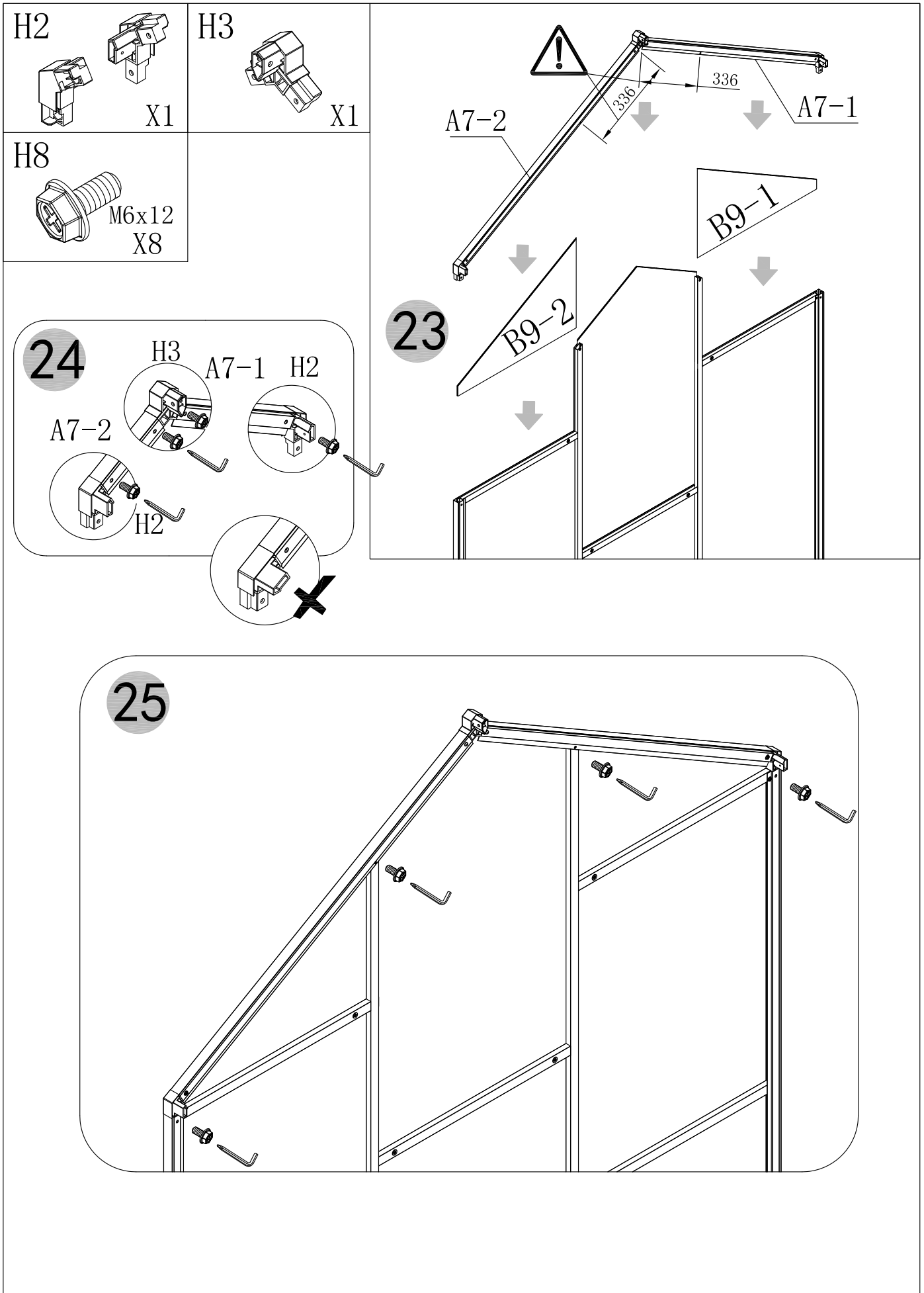


M6x12  
X2

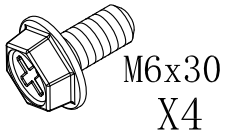


21

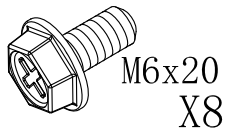




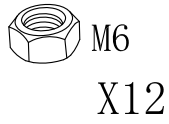
H6



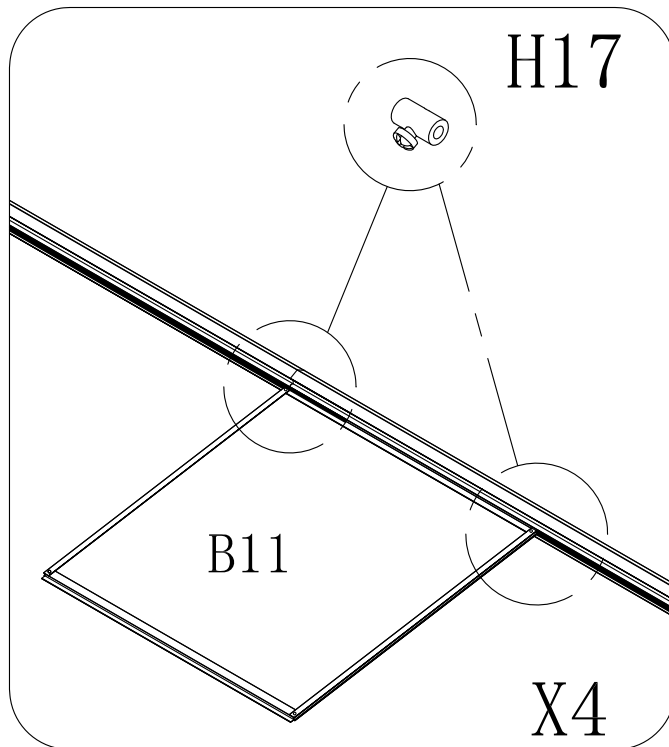
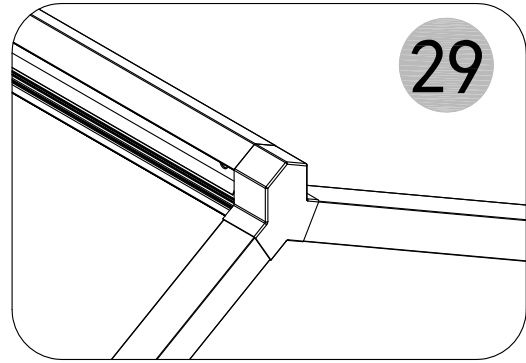
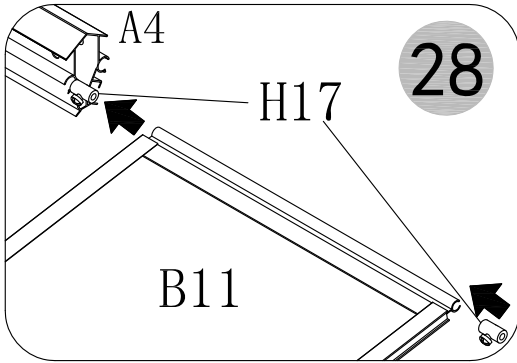
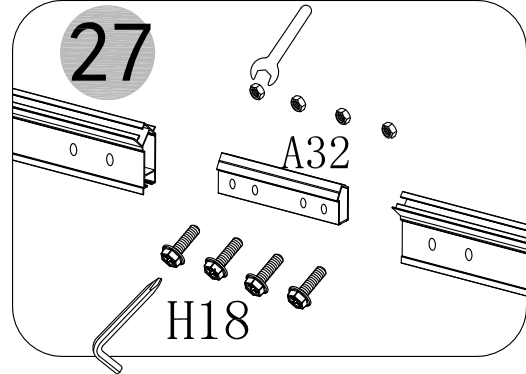
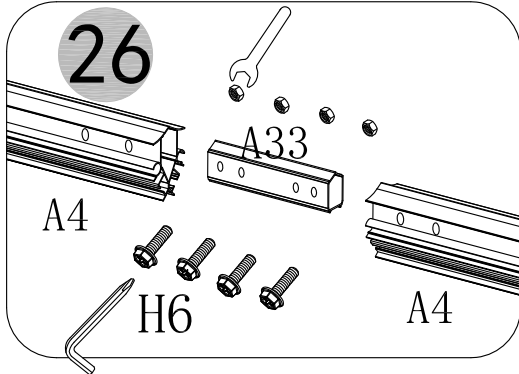
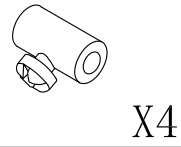
H18

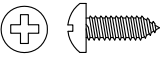
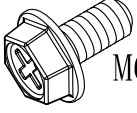
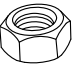


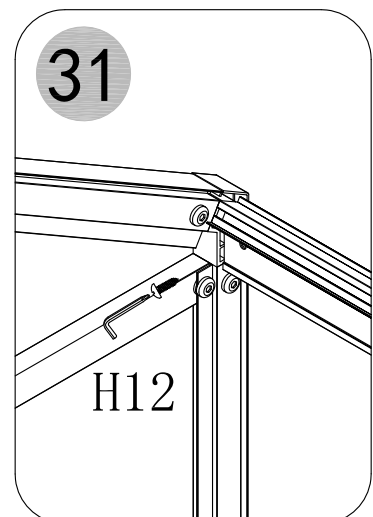
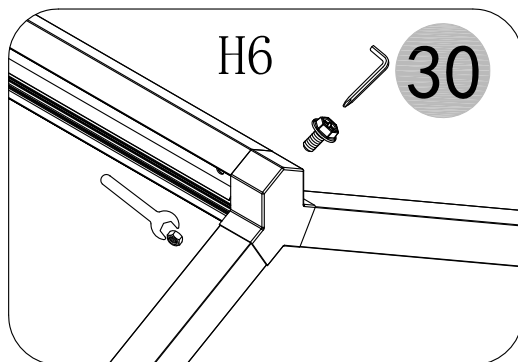
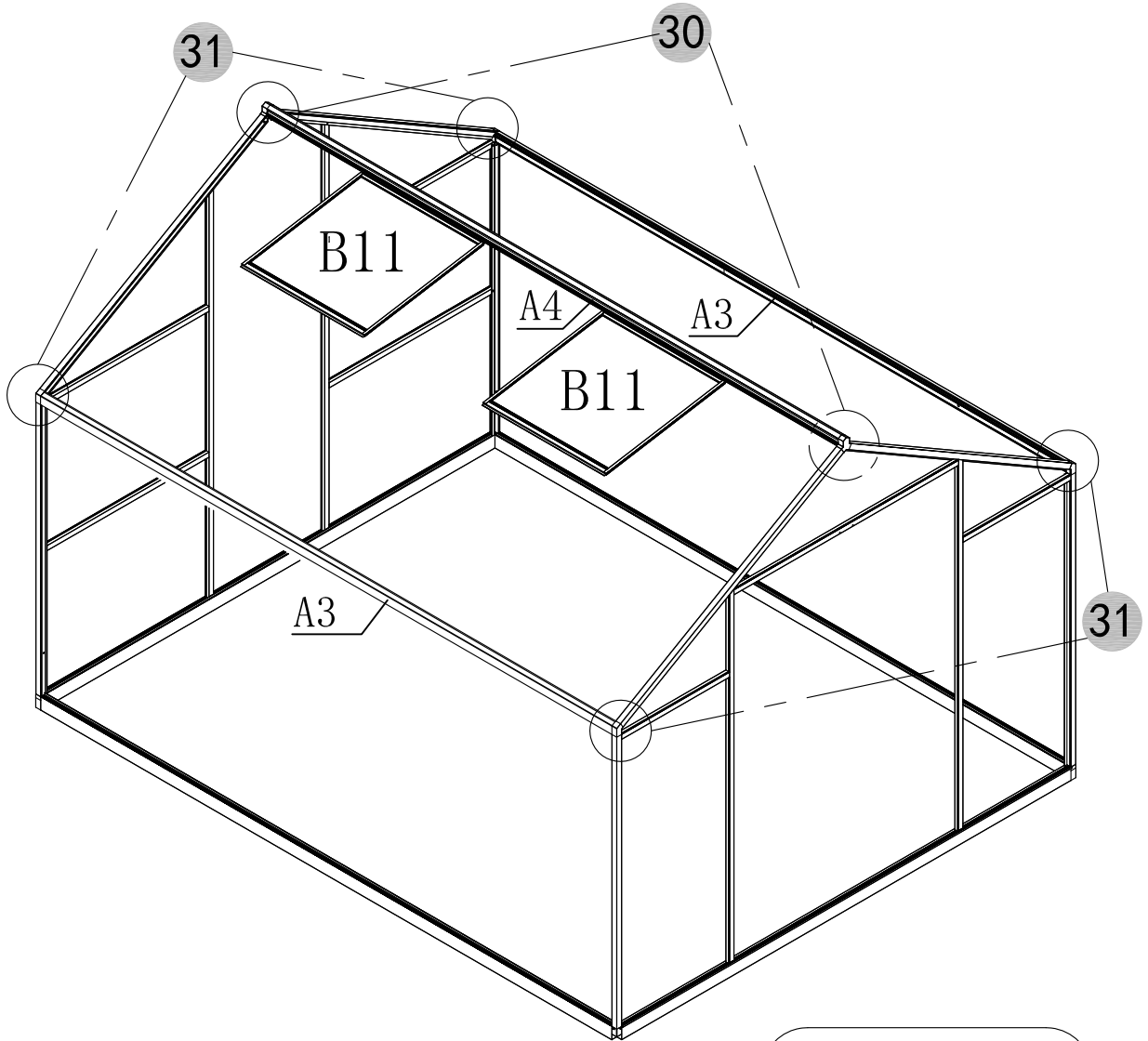
H9

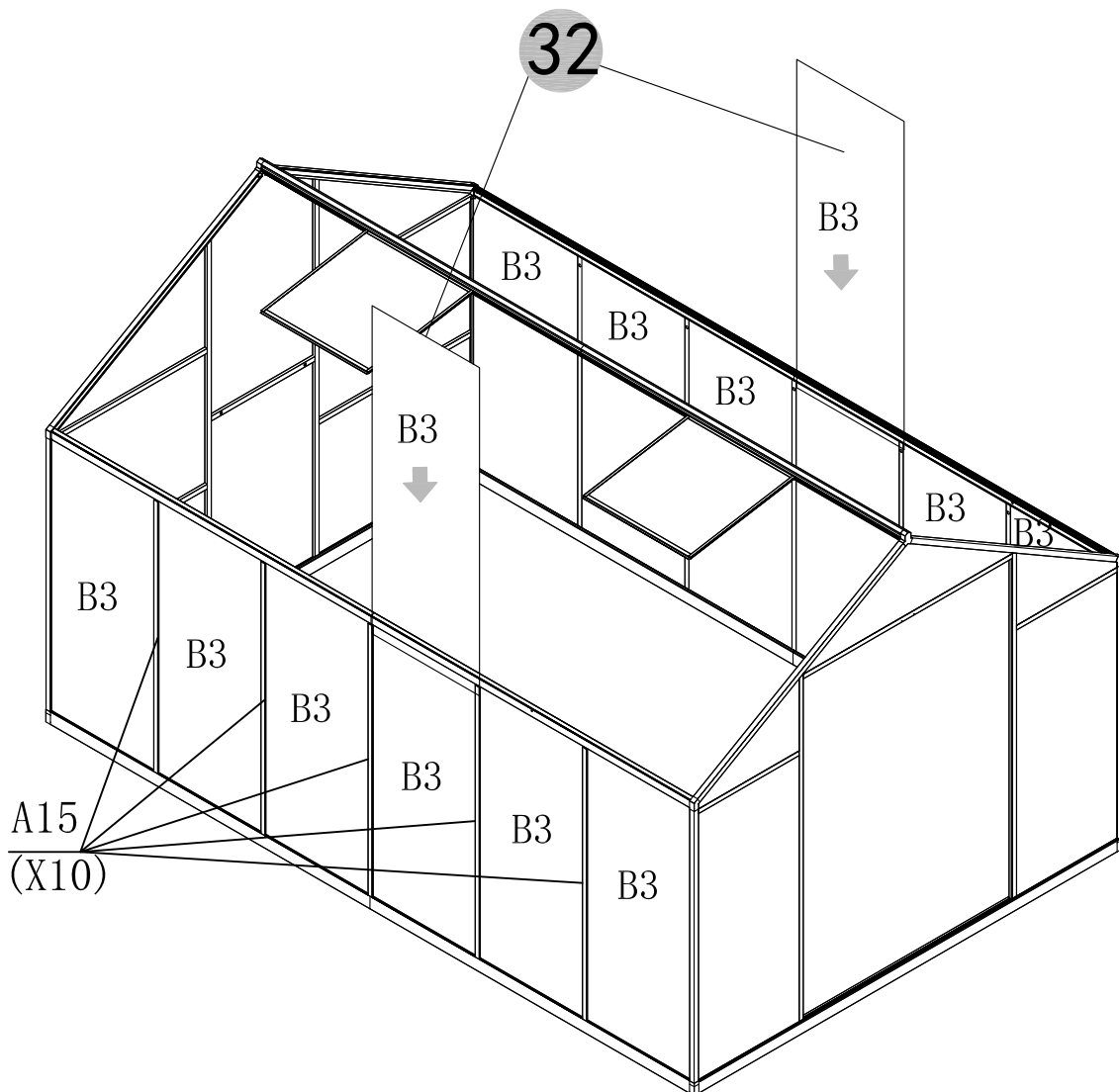
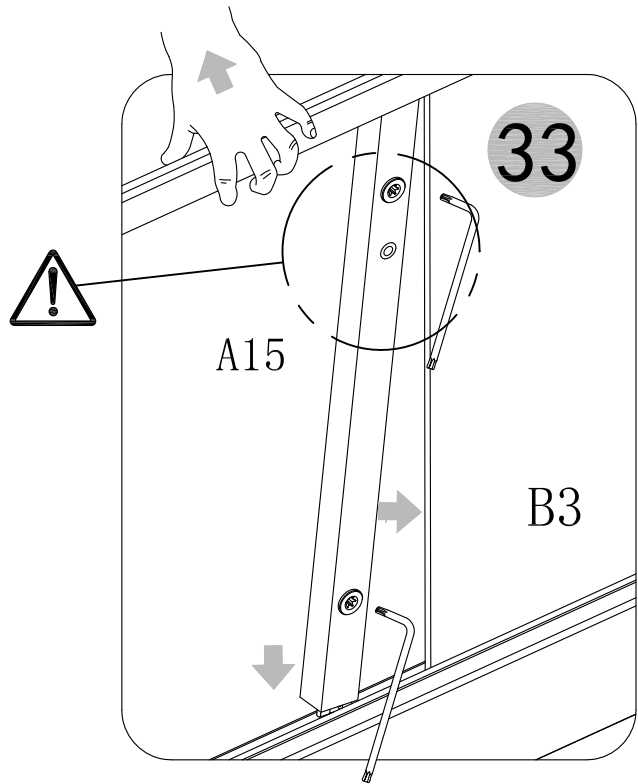
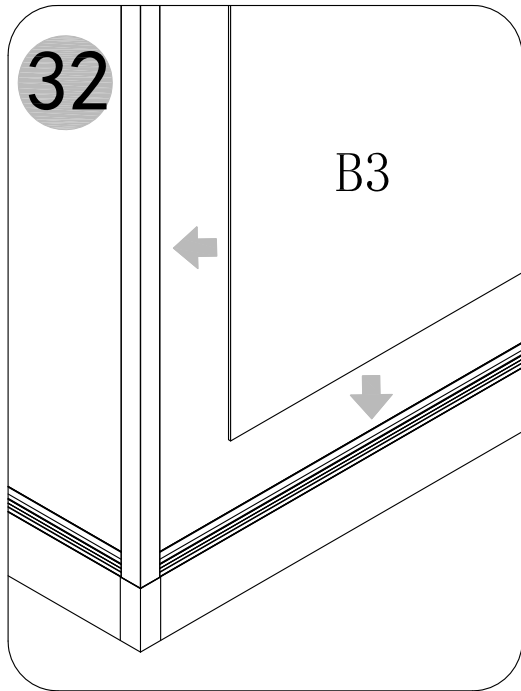


H17

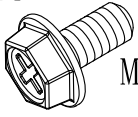


<p>H12</p>  <p>5x10 X4</p>	<p>H6</p>  <p>M6x30 X2</p>	<p>H9</p>  <p>M6 X2</p>
---	---	--

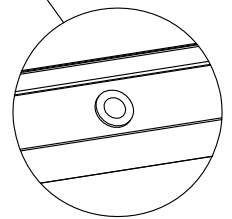
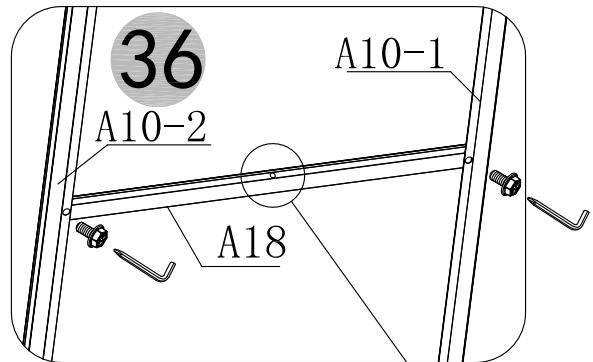
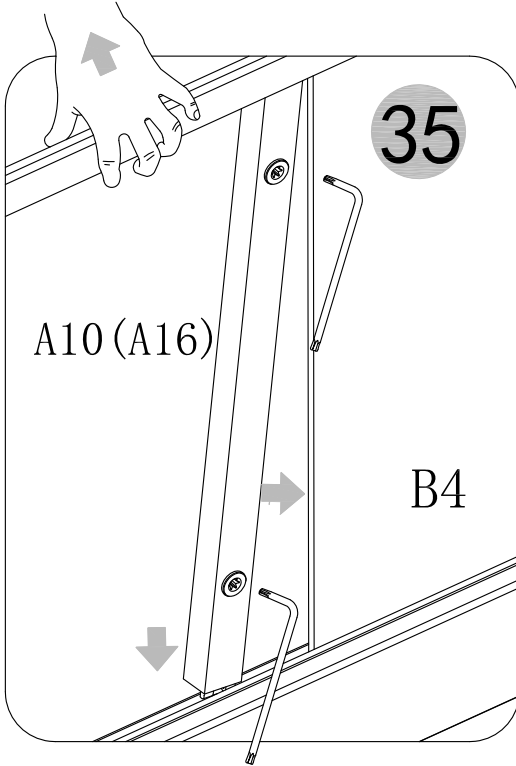
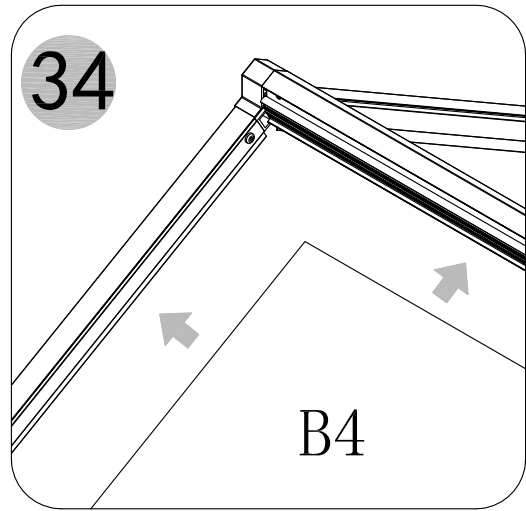




H8

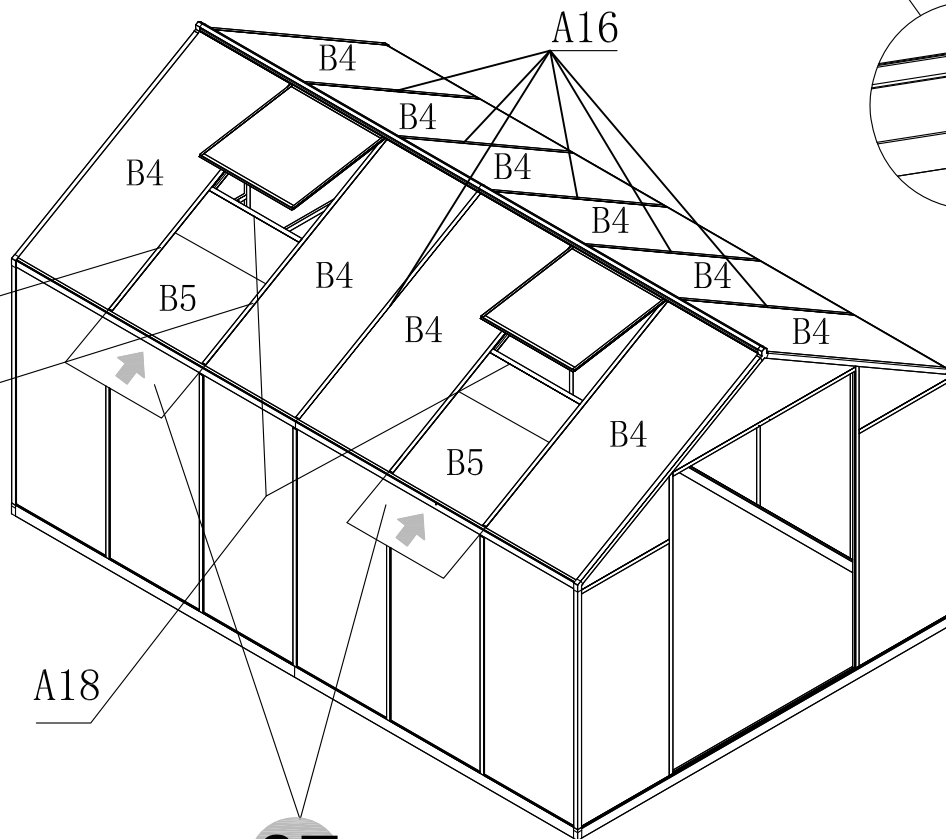


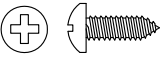
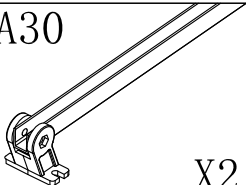
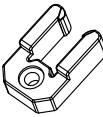
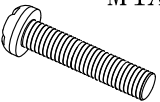
M6x12  
X4

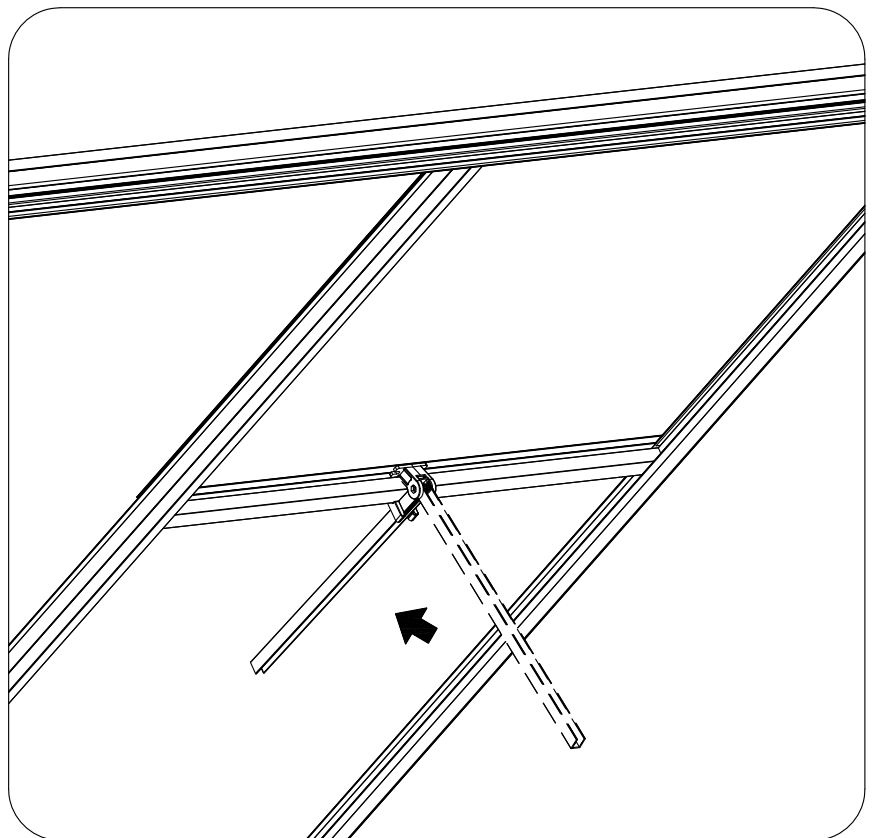
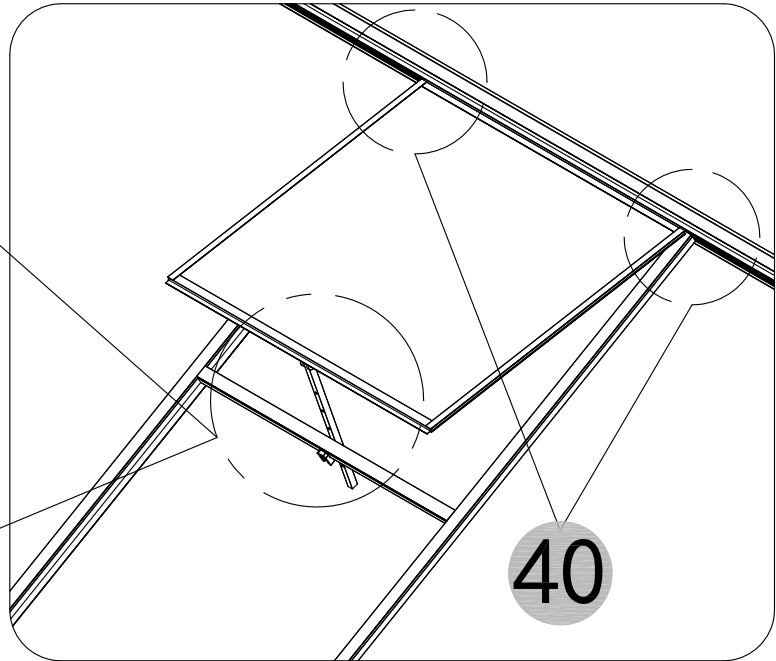
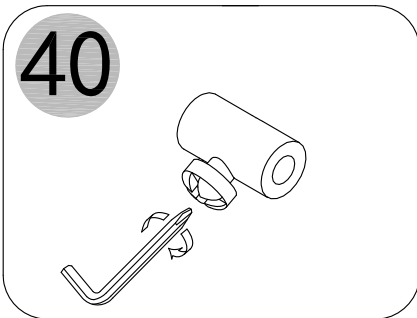
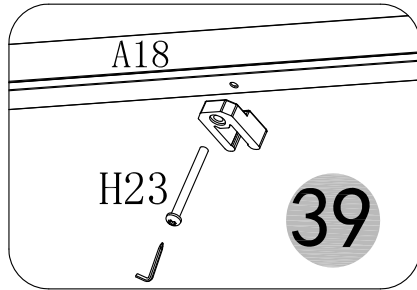
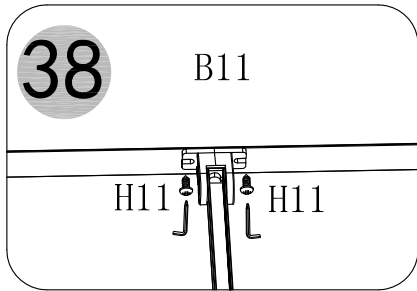


A10-1

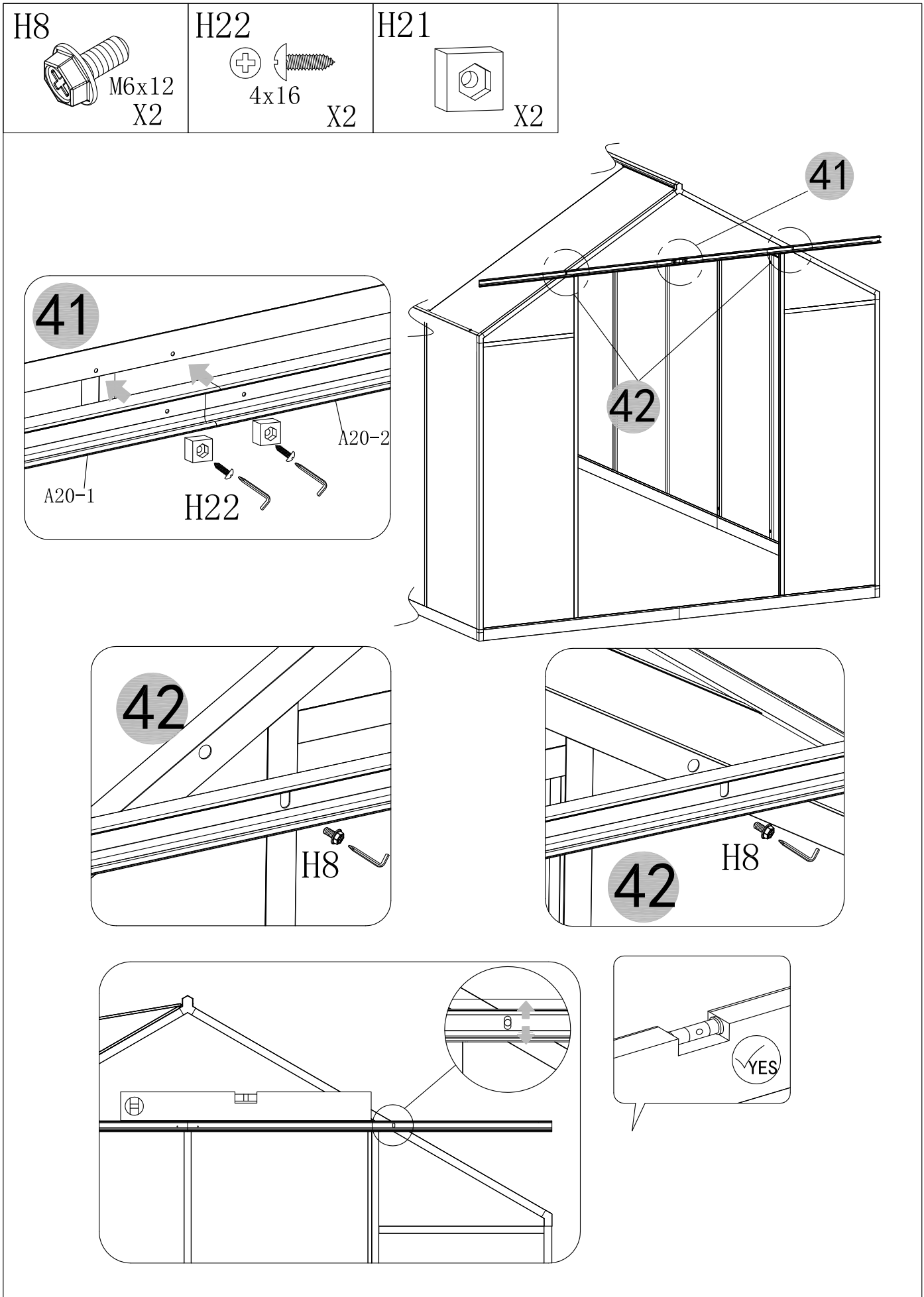
A10-2



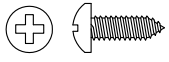
<p>H11</p>  <p>4x8 X4</p>	<p>A30</p>  <p>X2</p>	<p>H16</p>  <p>X2</p>	<p>H23</p> <p>M4X40</p>  <p>X2</p>
--	--	--	--





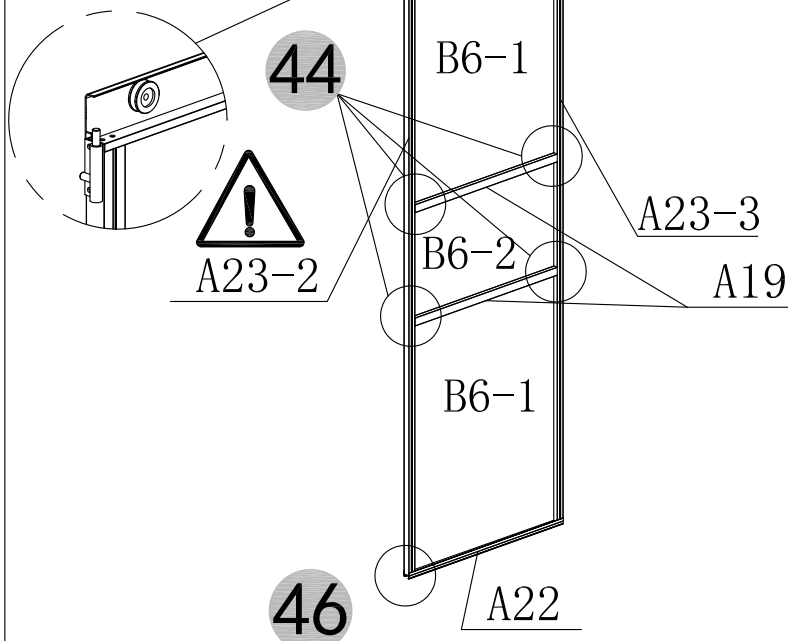
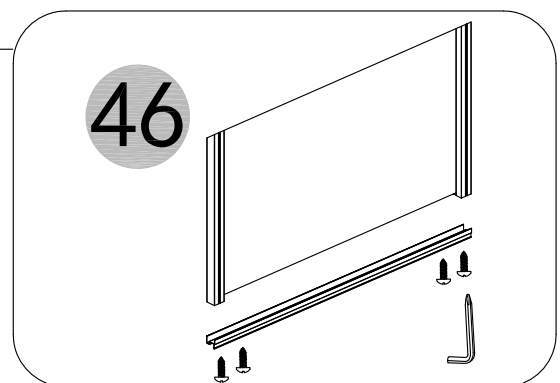
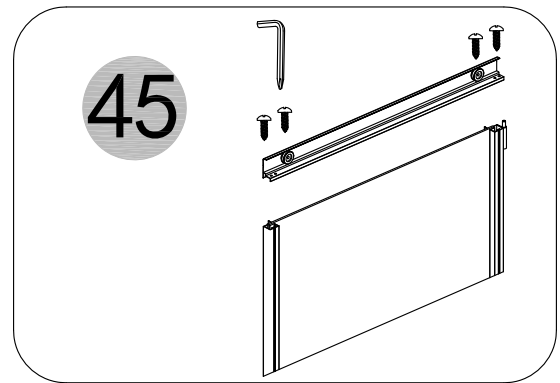
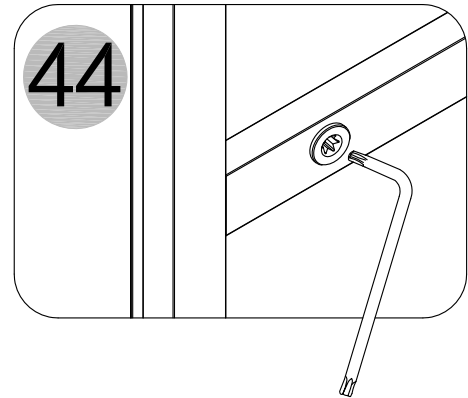
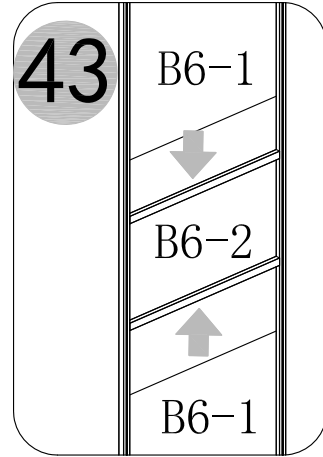
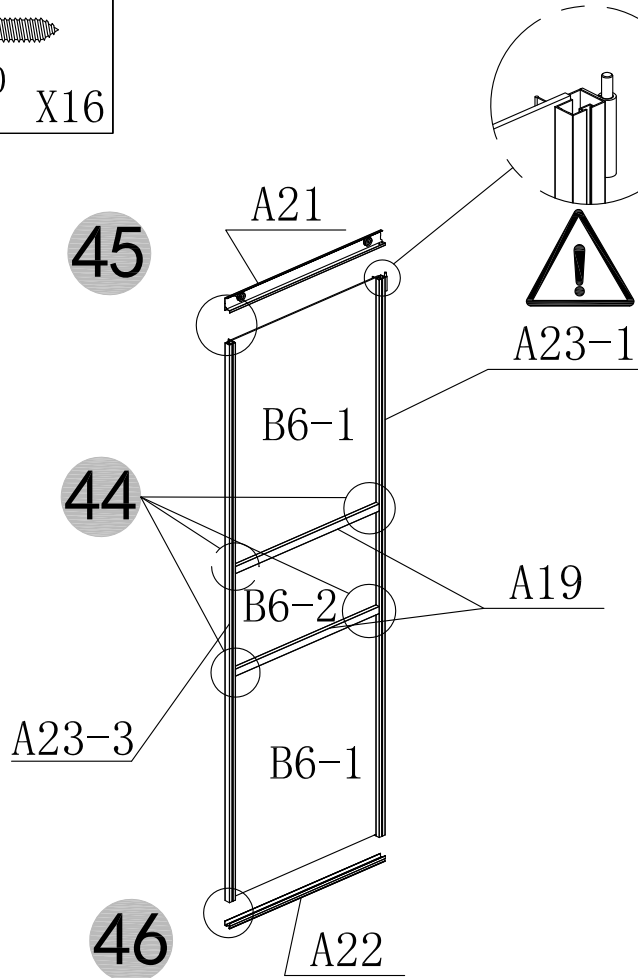


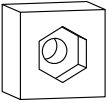
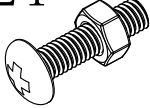
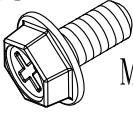
H10

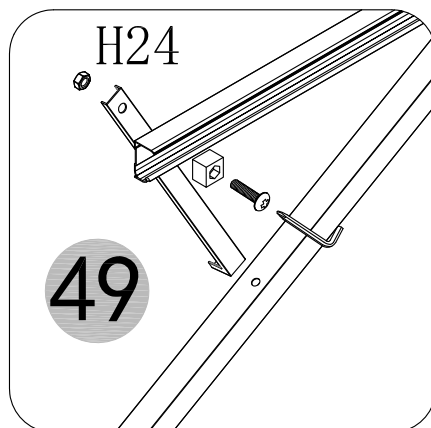
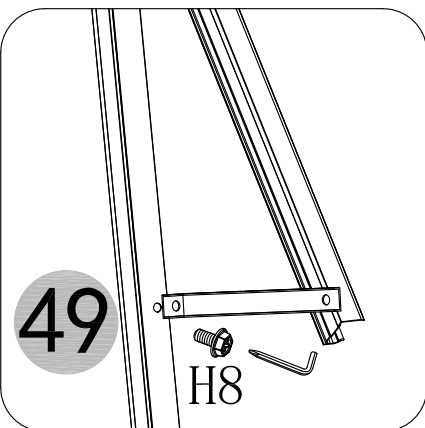
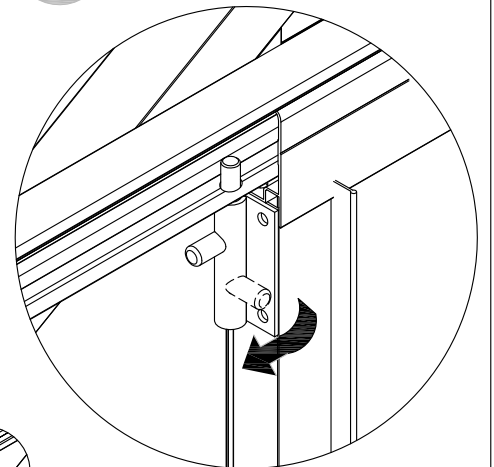
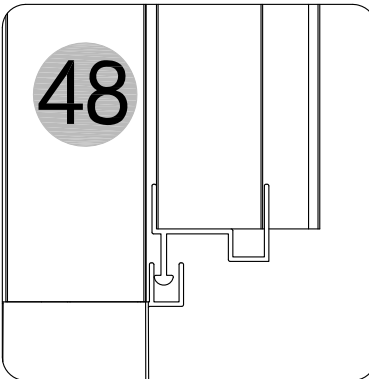
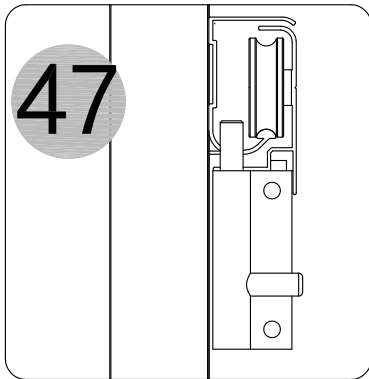
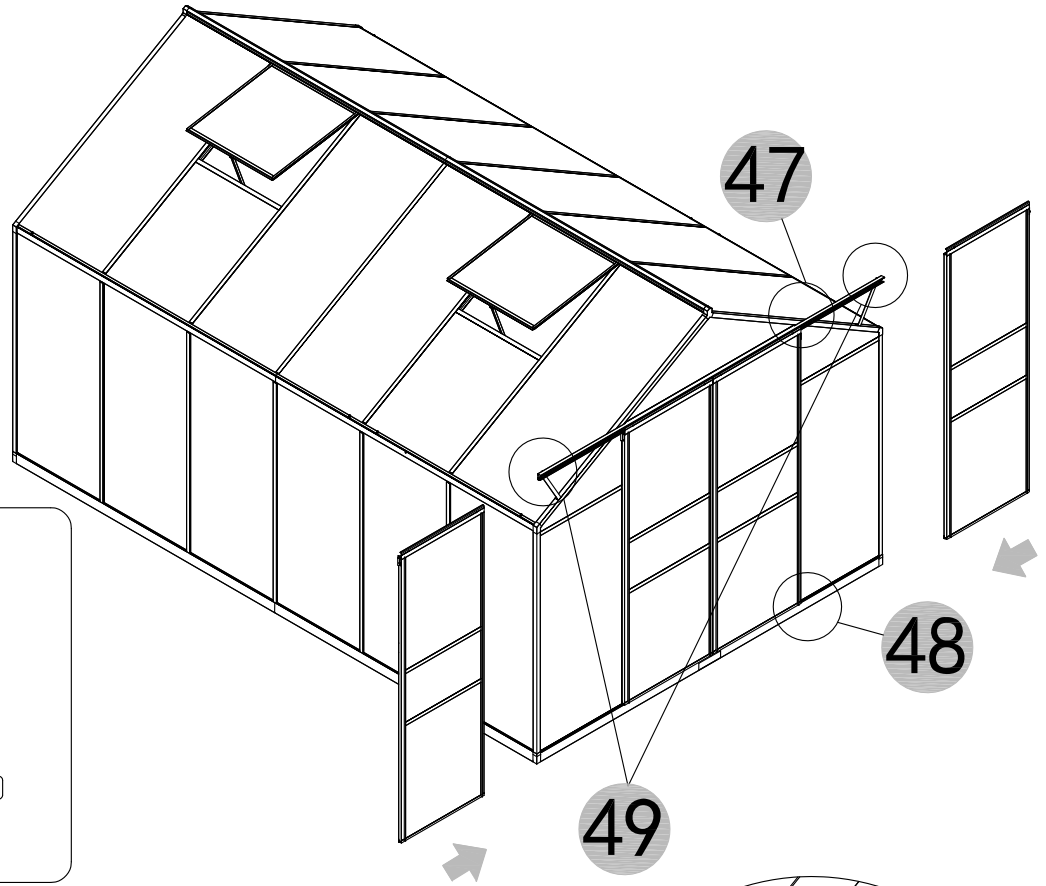


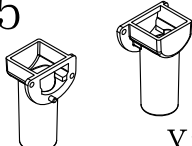
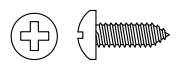
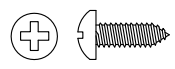

4x10

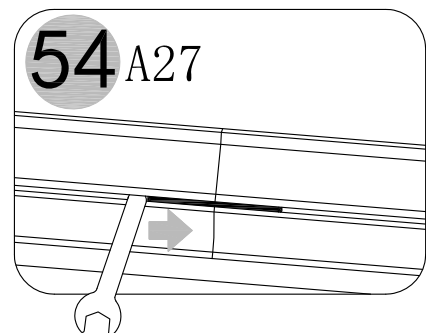
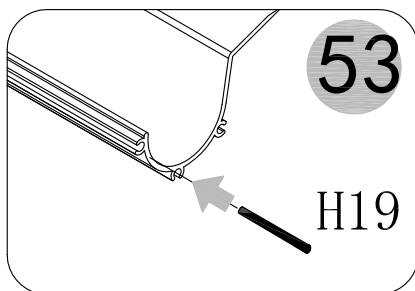
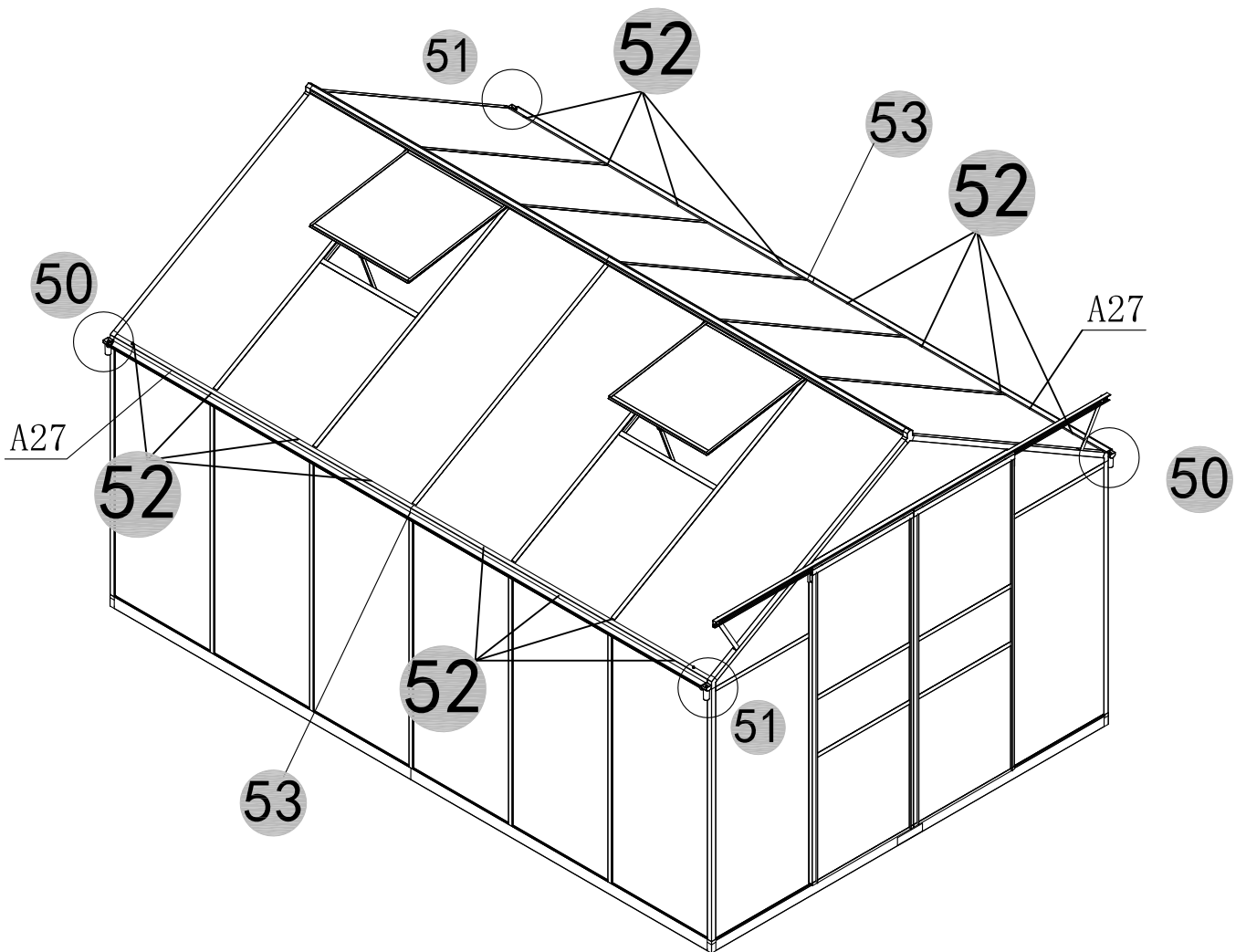
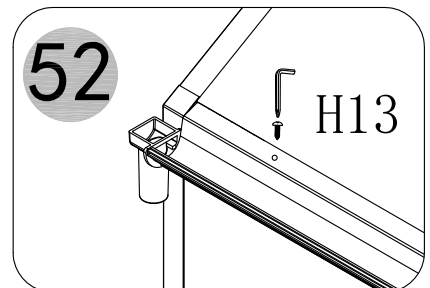
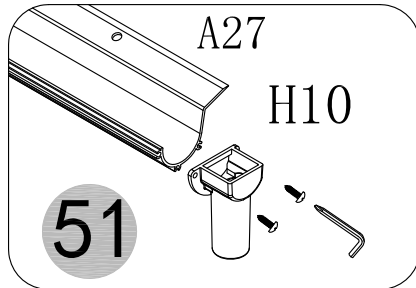
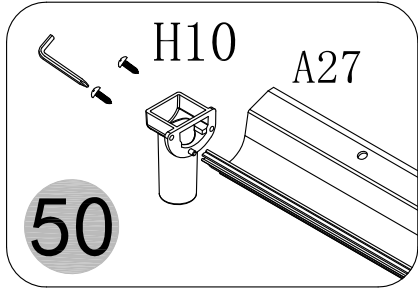
X16



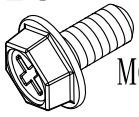
<p>H21</p>  <p>X2</p>	<p>H24</p>  <p>X2</p>	<p>H8</p>  <p>M6x12 X2</p>
--	--	---



<p>H5</p>  <p>X2</p>	<p>H10</p>  <p>4x10 X8</p>	<p>H13</p>  <p>5x16 X16</p>	<p>H19</p>  <p>X2</p>
---	---	--	--



H18



M6x20  
X16

