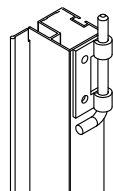
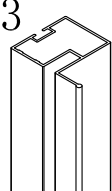
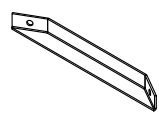
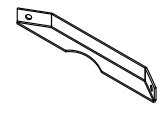
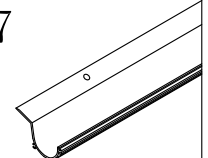
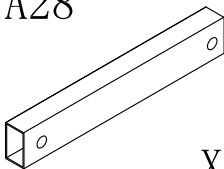
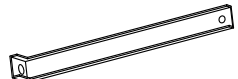
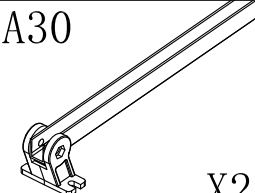
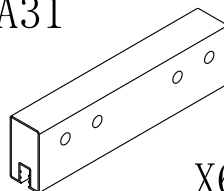
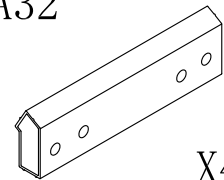
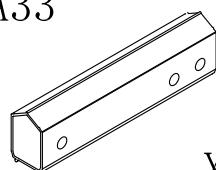

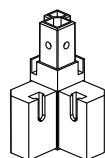
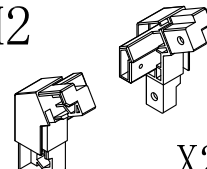
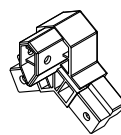
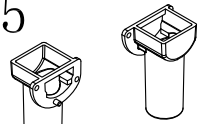
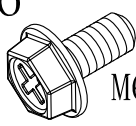

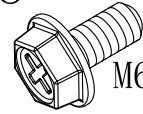
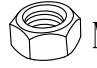
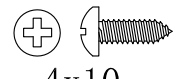
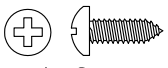
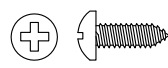
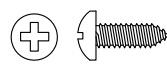
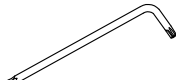

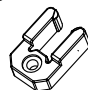

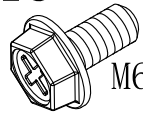
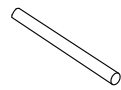
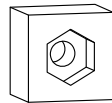
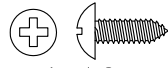
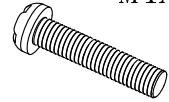
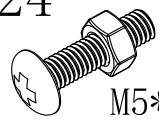
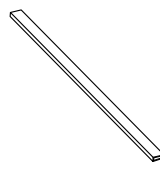
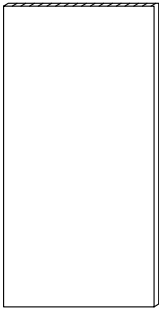
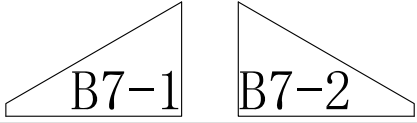
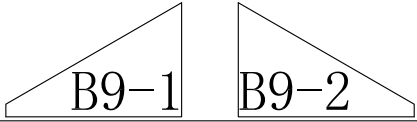
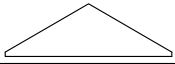

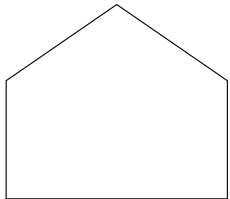
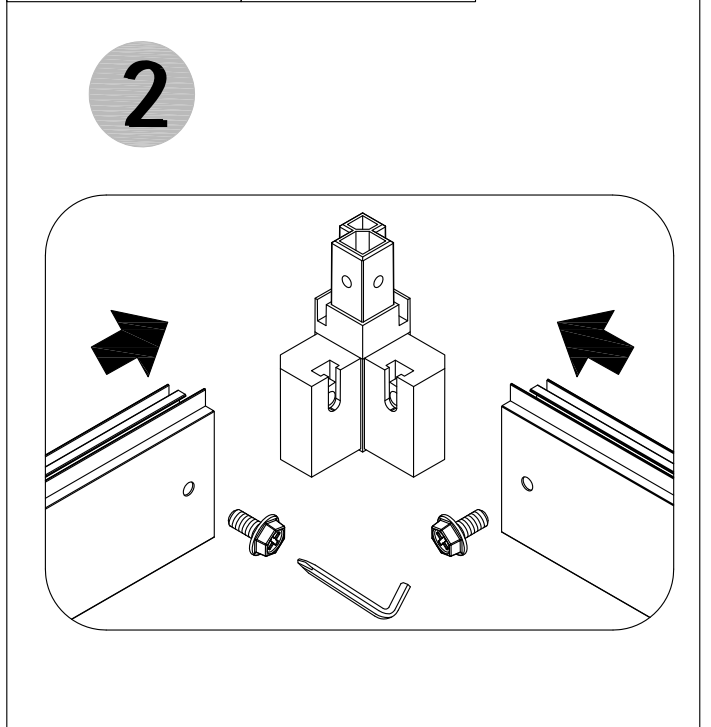
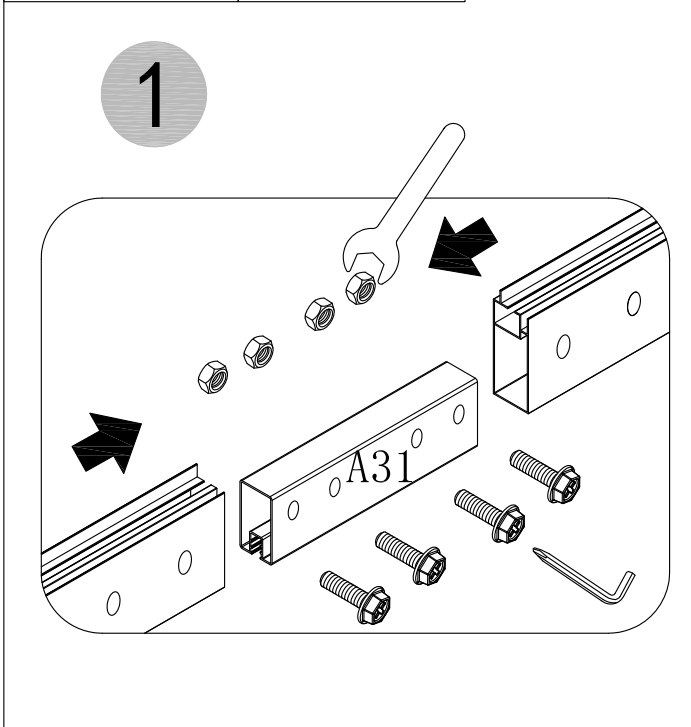
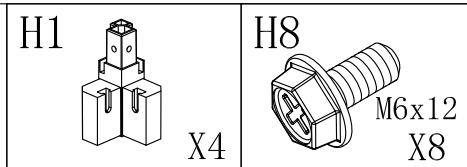
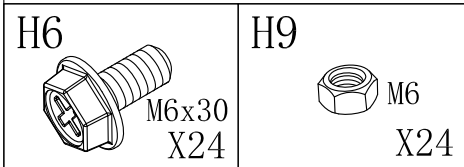
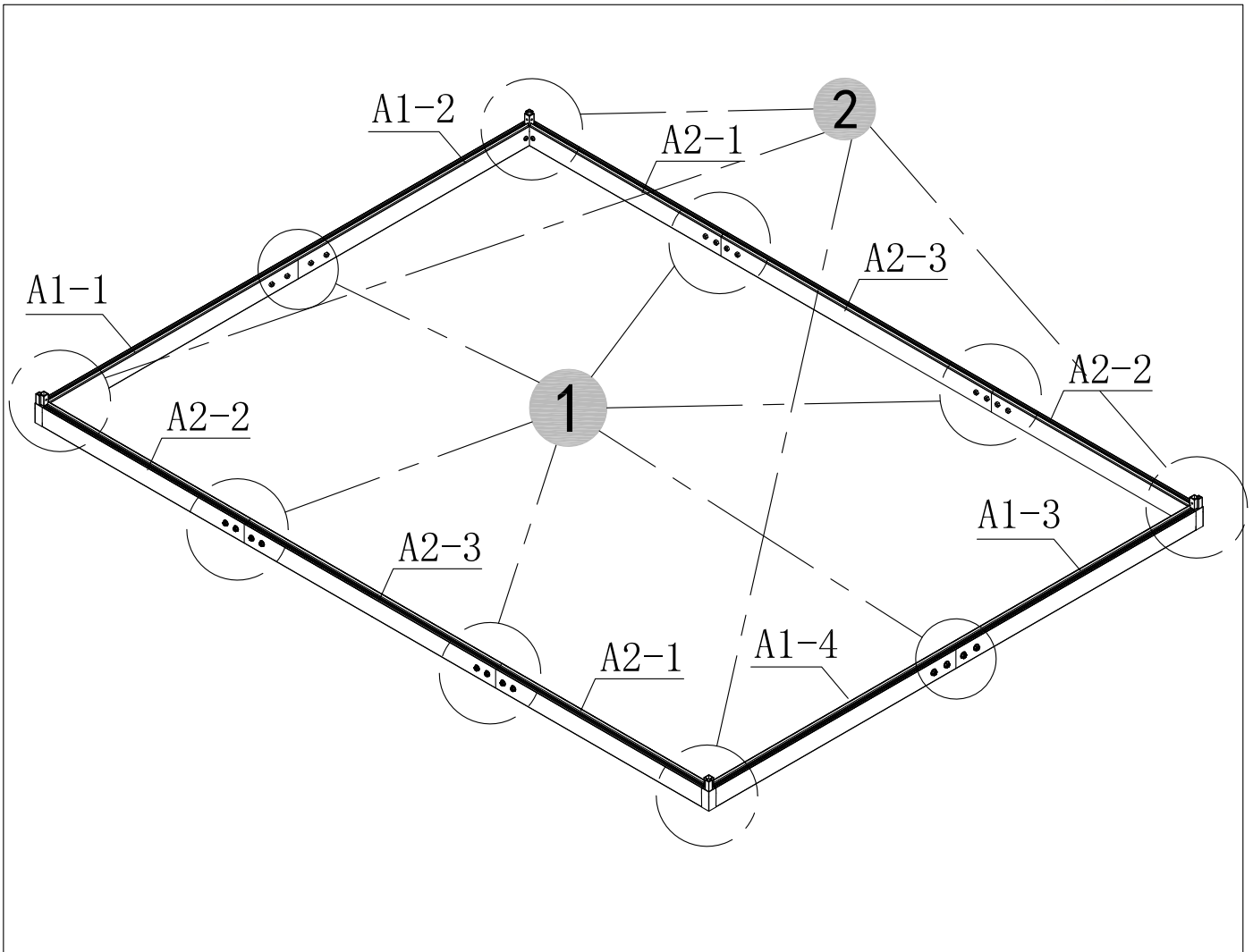


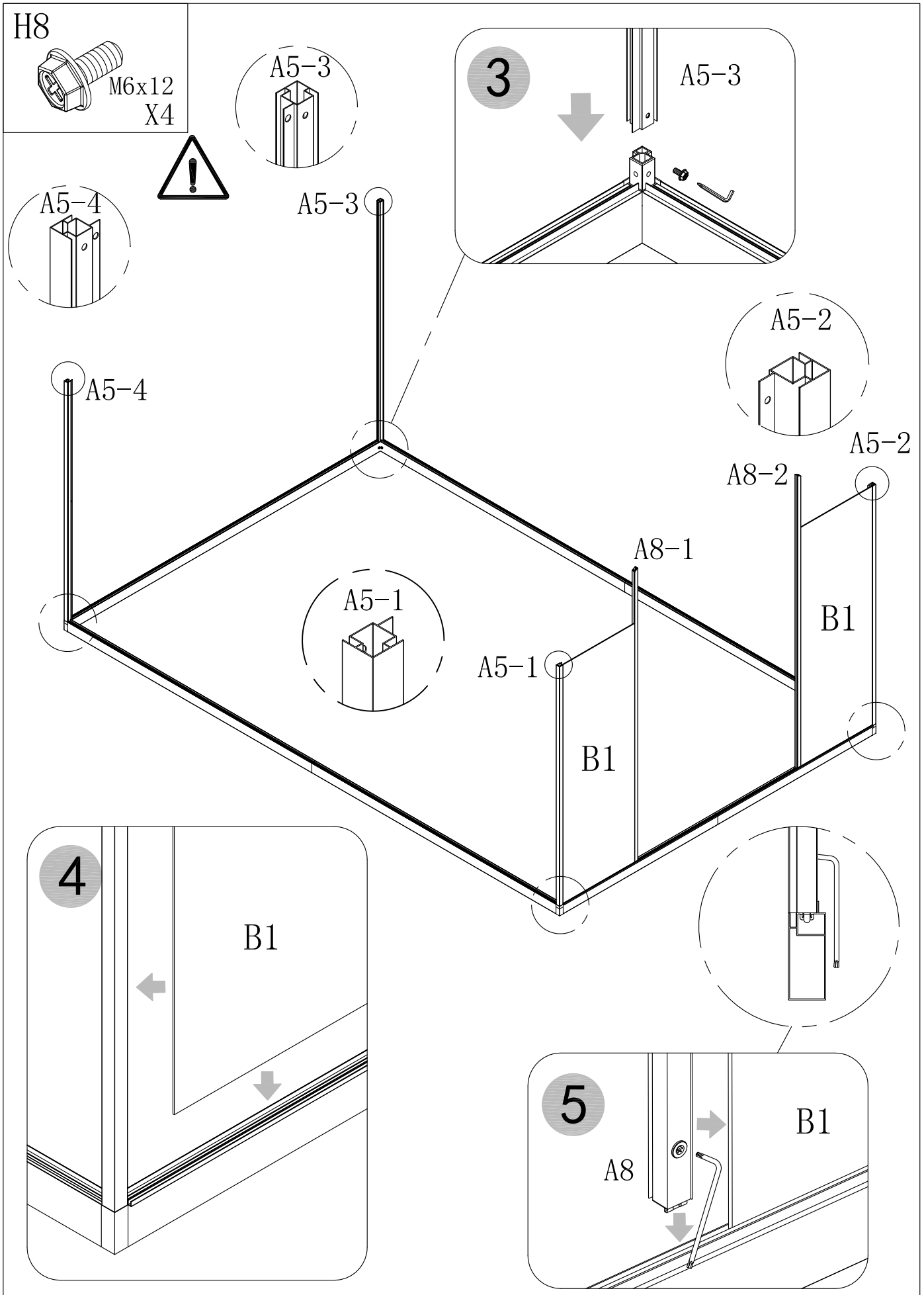
422x247x210cm

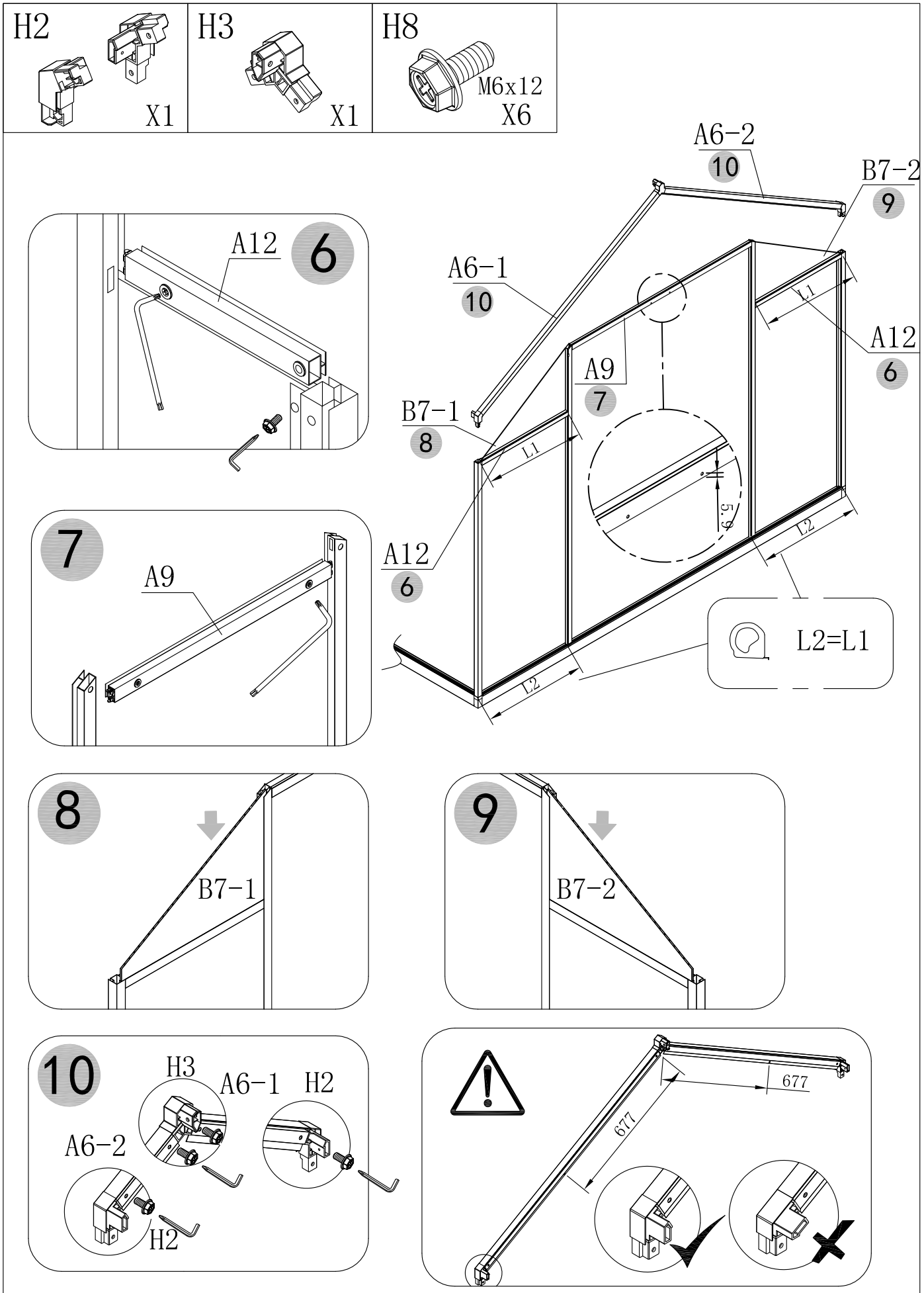
	A1-1 X1	A1-2 X1	A1-3 X1	A1-4 X1	
A2-1 X2	A2-2 X2	A2-3 X2	A3-1 X2	A3-2 X2	
A3-3 X2	A4-1 X2	A4-2 X1	A5-1 X1	A5-2 X1	
A5-3 X1	A5-4 X1	A6-1 X1	A6-2 X1	A7-1 X1	
A7-2 X1	A8-1 X1	A8-2 X1	A9 X1	A10-1 X2	
A10-2 X2	A11-1 X1	A11-2 X1	A12 X2	A13 X4	
A14 X1	A15 X12	A16 X8	A18 X2	A19 X4	
A20-1 X1	A20-2 X1	A21 X2	A22 X2	A23-1 X1	

<p>A23-2</p>  <p>X1</p>	<p>A23-3</p>  <p>X2</p>	<p>A25</p>  <p>X6</p>	<p>A26</p>  <p>X12</p>	<p>A27</p>  <p>X6</p>
<p>A28</p>  <p>X8</p>	<p>A29</p>  <p>X2</p>	<p>A30</p>  <p>X2</p>	<p>A31</p>  <p>X6</p>	<p>A32</p>  <p>X4</p>
<p>A33</p>  <p>X2</p>				
	<p>H1</p>  <p>X4</p>	<p>H2</p>  <p>X2</p>	<p>H3</p>  <p>X2</p>	<p>H5</p>  <p>X2</p>
<p>H6</p>  <p>M6x30 X34</p>	<p>H7</p>  <p>X1</p>	<p>H8</p>  <p>M6x12 X78</p>	<p>H9</p>  <p>M6 X50</p>	<p>H10</p>  <p>4x10 X24</p>
<p>H11</p>  <p>4x8 X4</p>	<p>H12</p>  <p>5x10 X4</p>	<p>H13</p>  <p>5x16 X18</p>	<p>H14</p>  <p>X1</p>	<p>H15</p>  <p>X1</p>
<p>H16</p>  <p>X2</p>	<p>H17</p>  <p>X4</p>	<p>H18</p>  <p>M6x20 X32</p>	<p>H19</p>  <p>X4</p>	<p>H21</p>  <p>X4</p>
<p>H22</p>  <p>4x16 X2</p>	<p>H23</p>  <p>M4x40 X2</p>	<p>H24</p>  <p>M5*20 X2</p>	<p>H25</p>  <p>X18</p>	

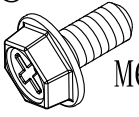
B		B1	2PCS
		B2	4PCS
		B3	14PCS
		B4	12PCS
		B5	2PCS
		B6-1	4PCS
		B6-2	2PCS
		B12	1PC
		B7-1	1PC
		B7-2	1PC
		B9-1	1PC
		B9-2	1PC
		B8	1PC
		B11	2PCS
	B10	1PC	





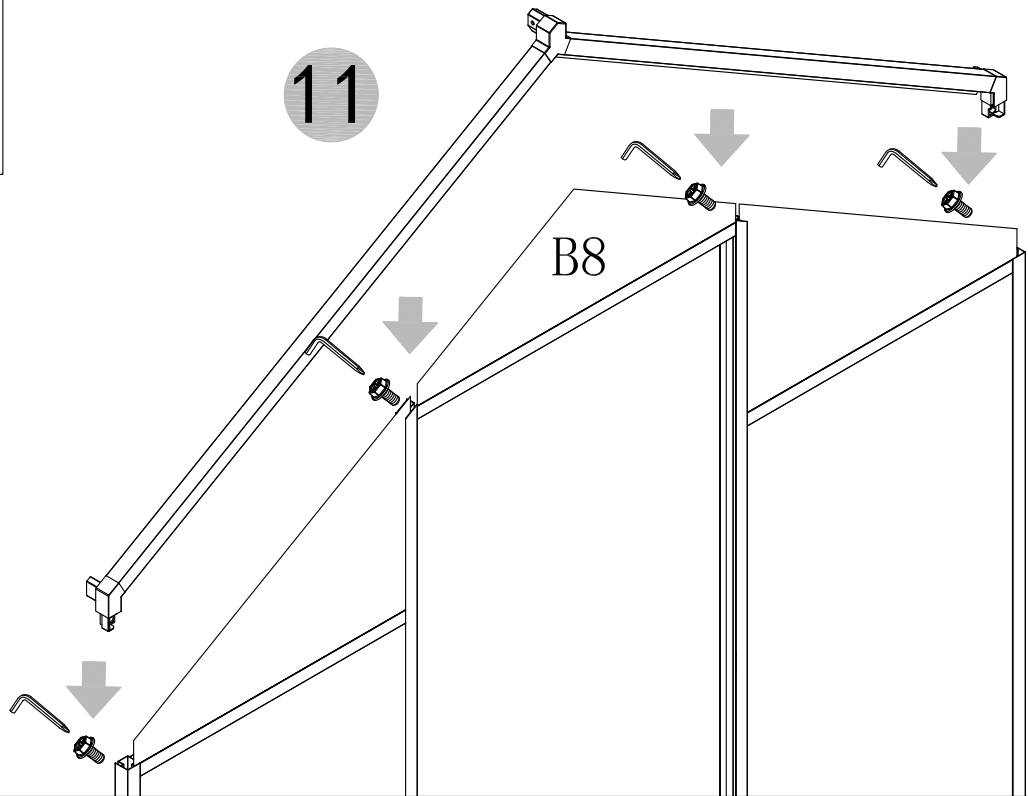


H8

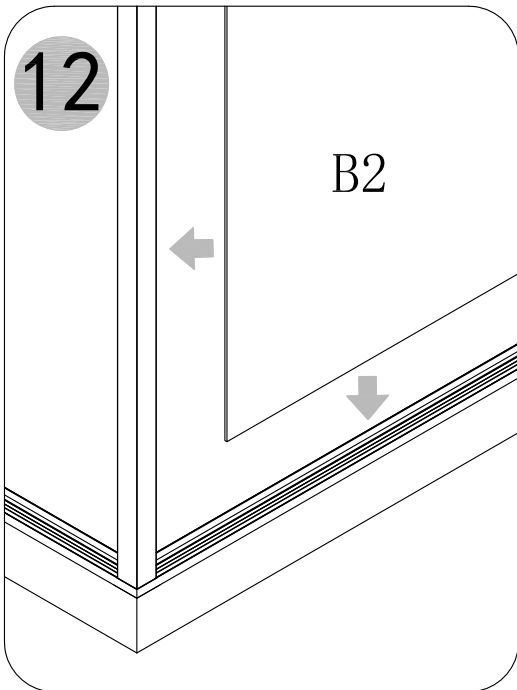


M6x12
X4

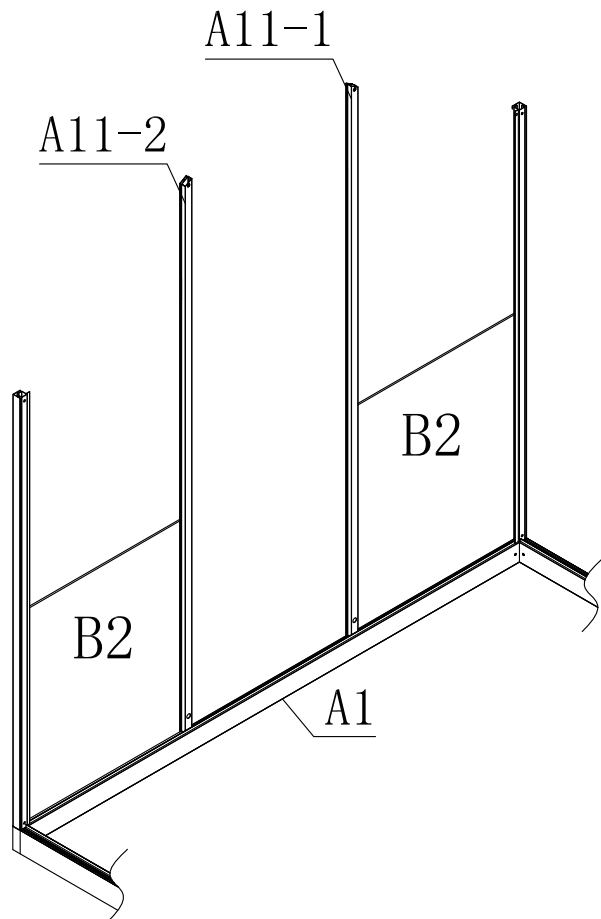
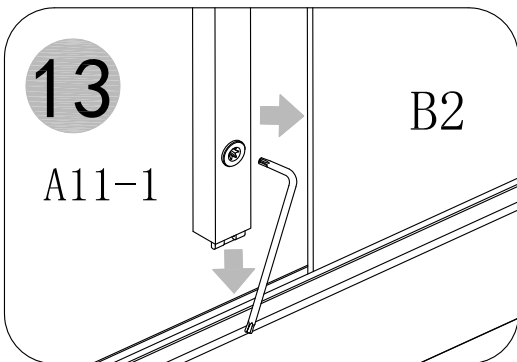
11



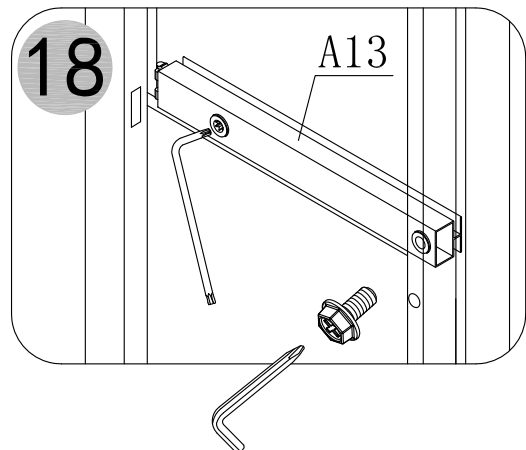
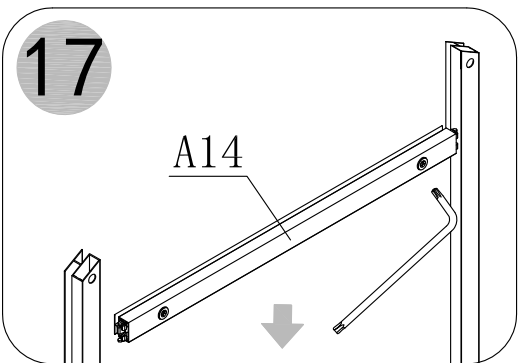
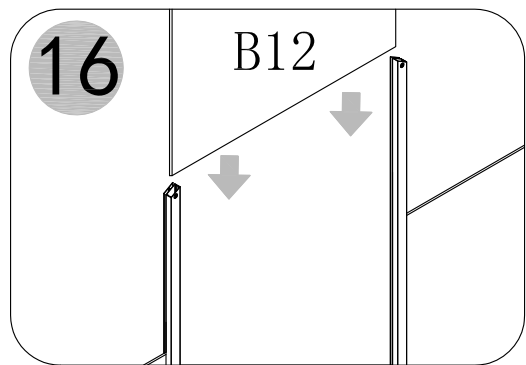
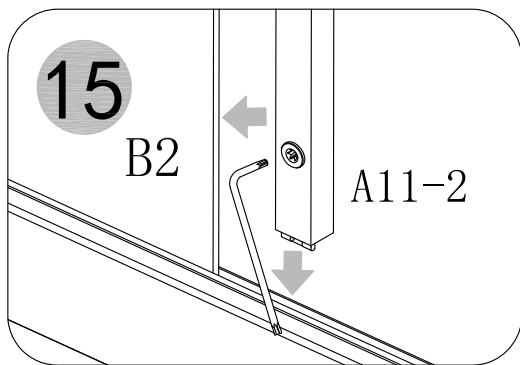
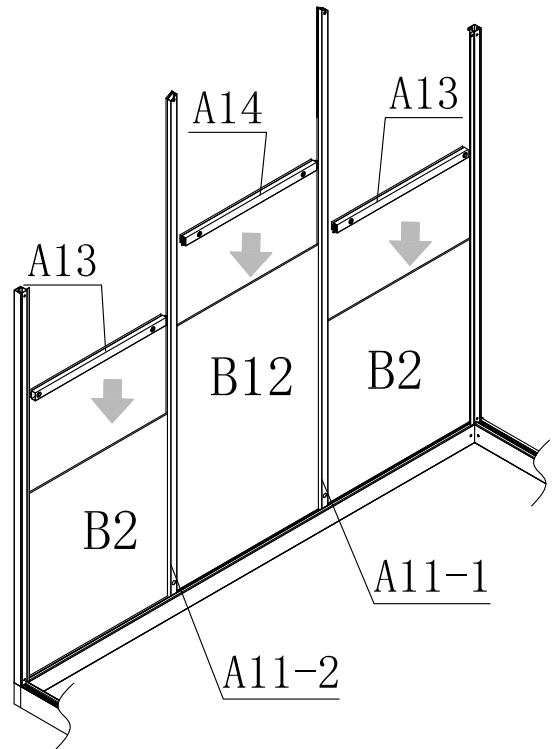
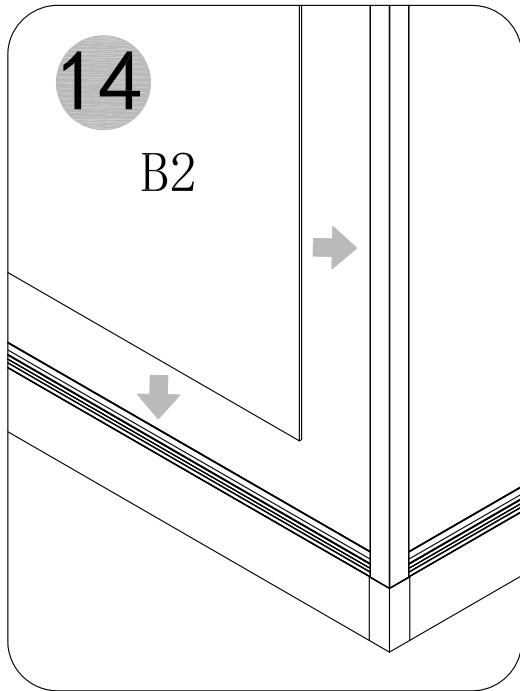
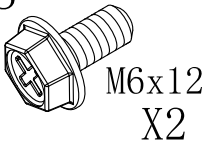
12



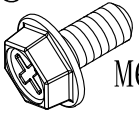
13



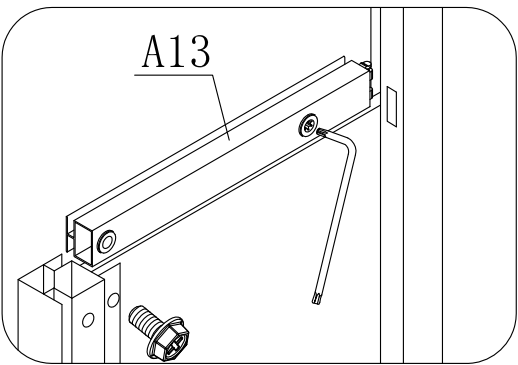
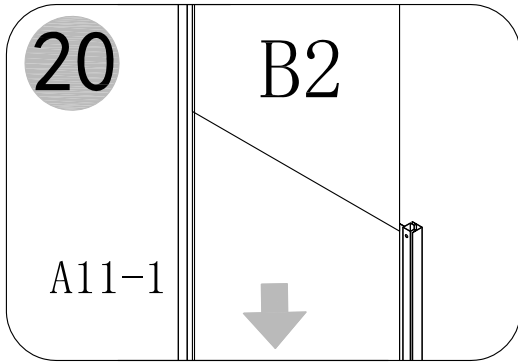
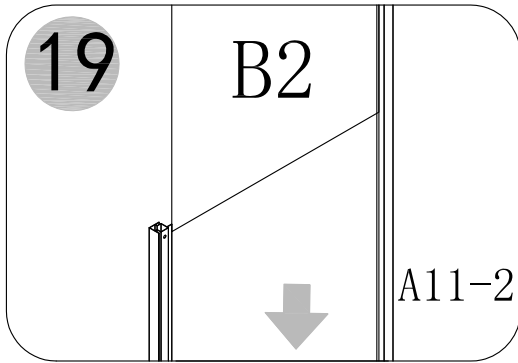
H8



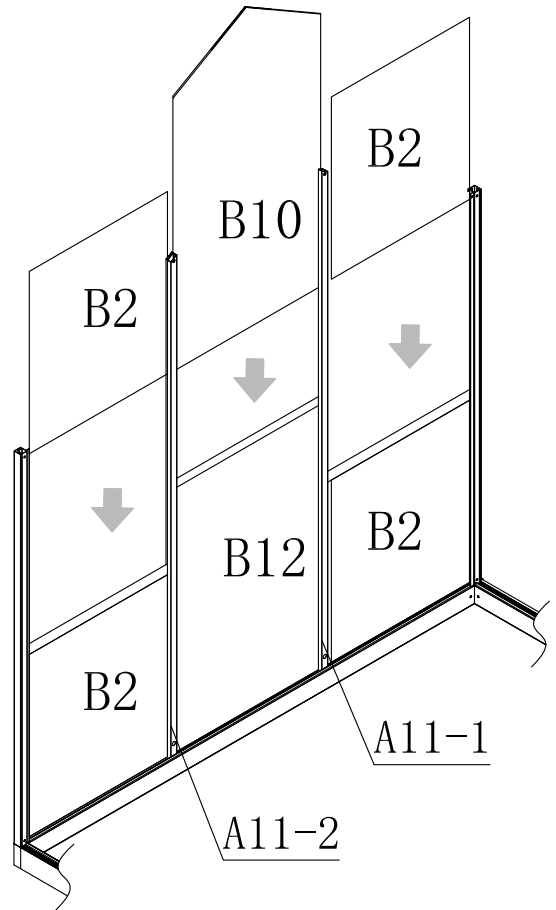
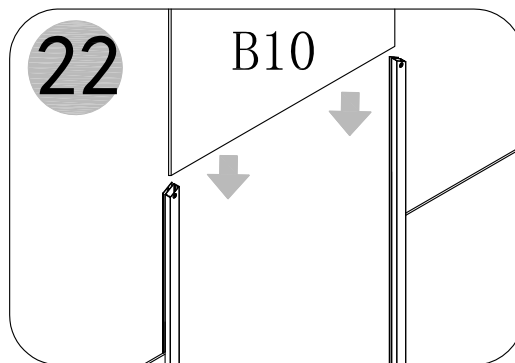
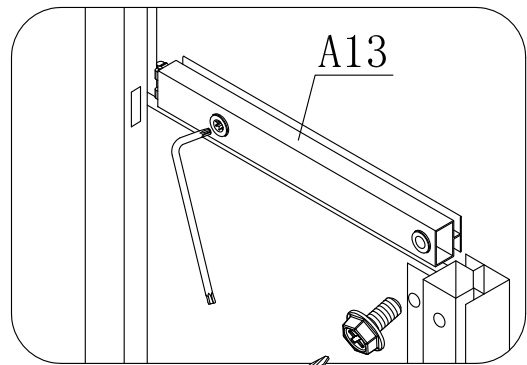
H8

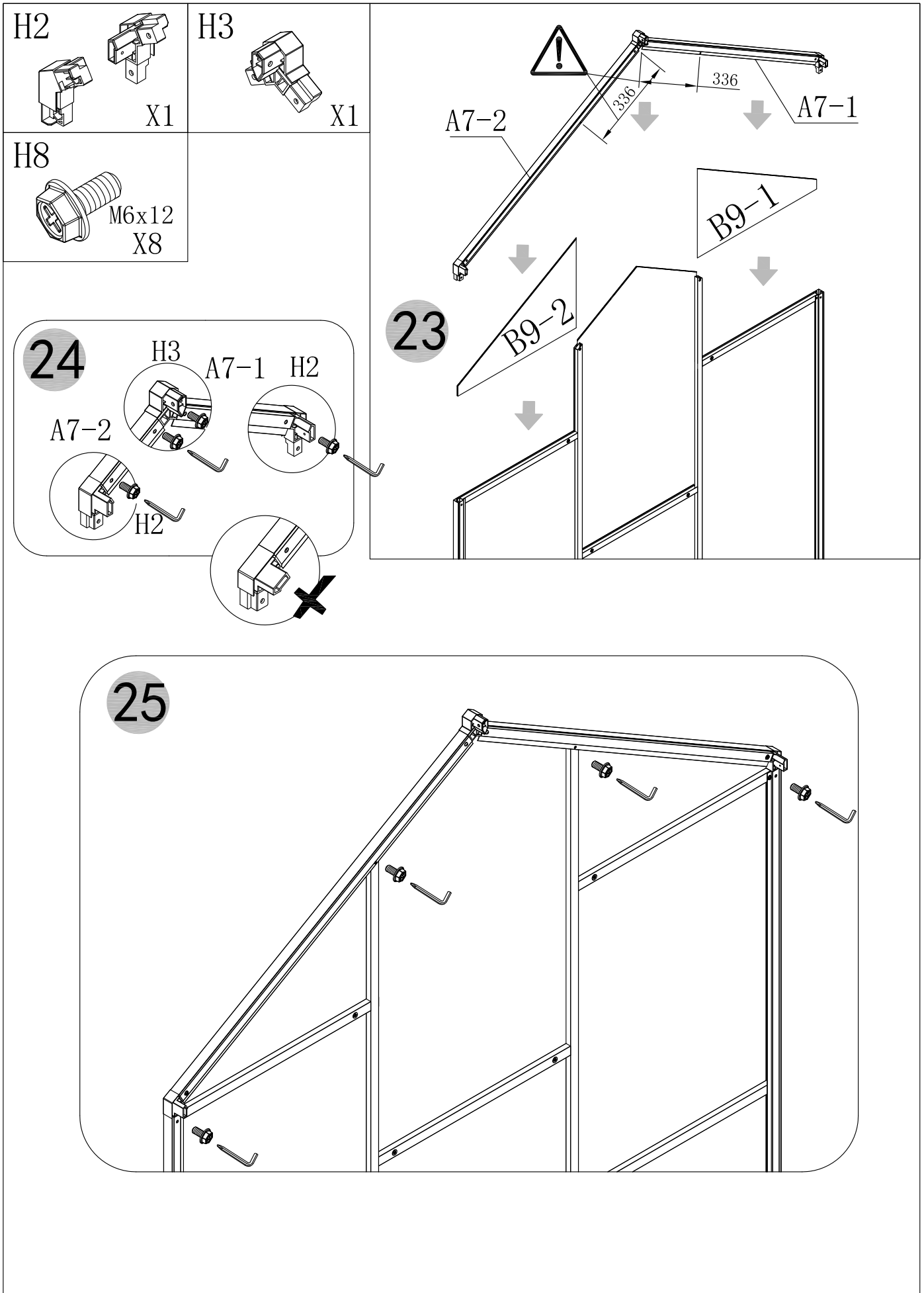


M6x12
X2

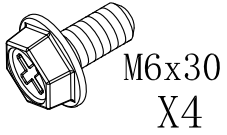


21

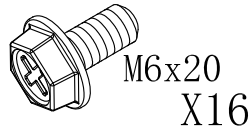




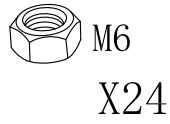
H6



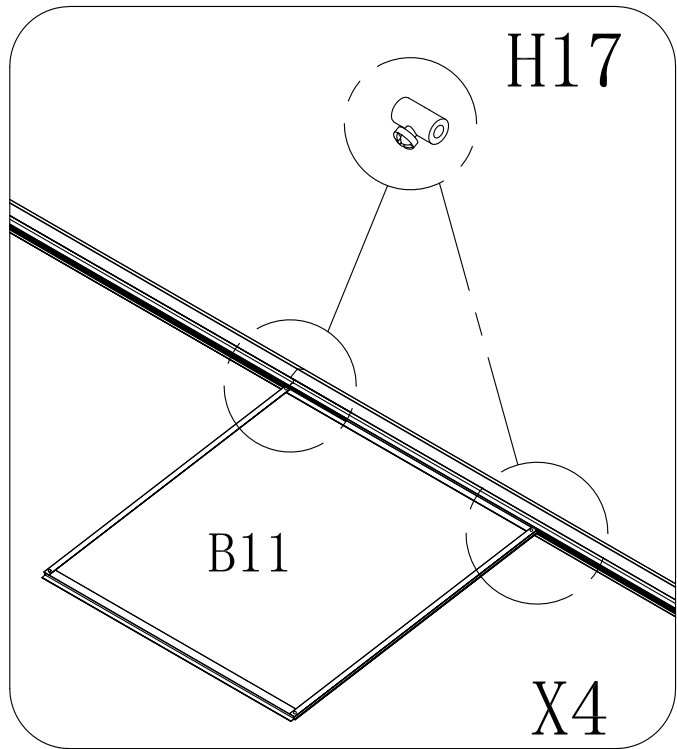
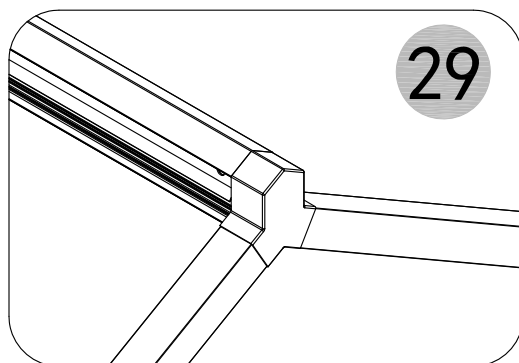
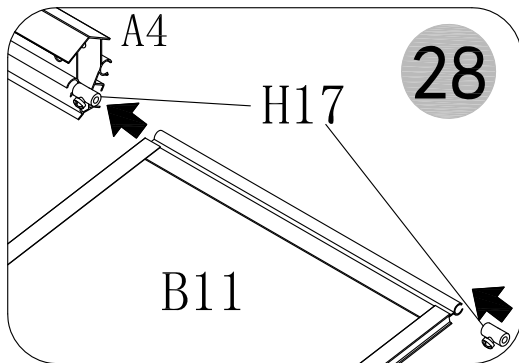
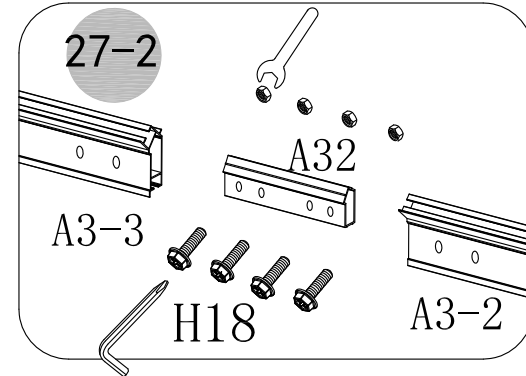
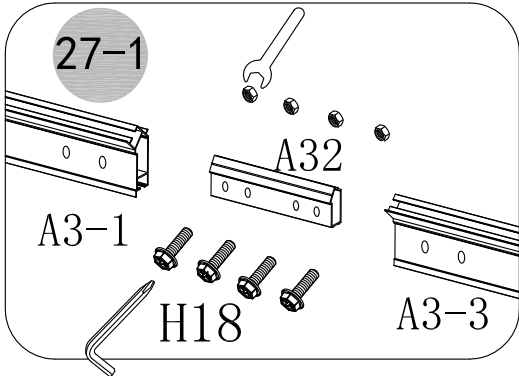
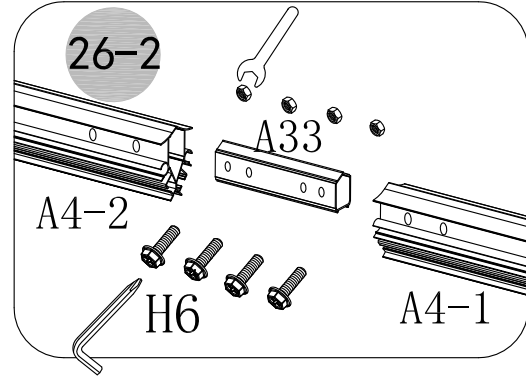
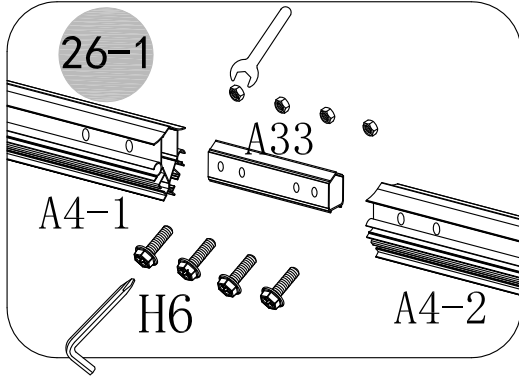
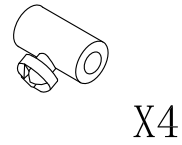
H18

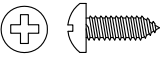
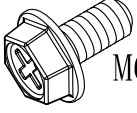
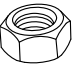


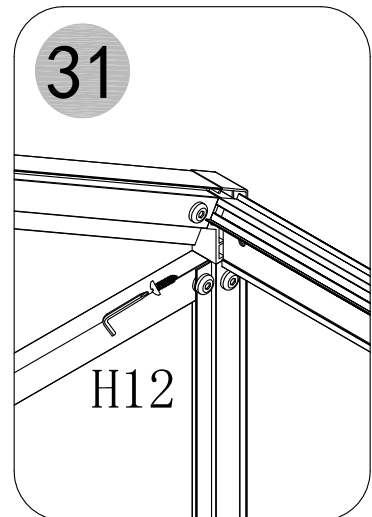
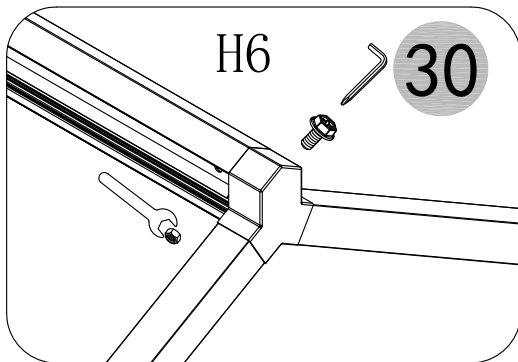
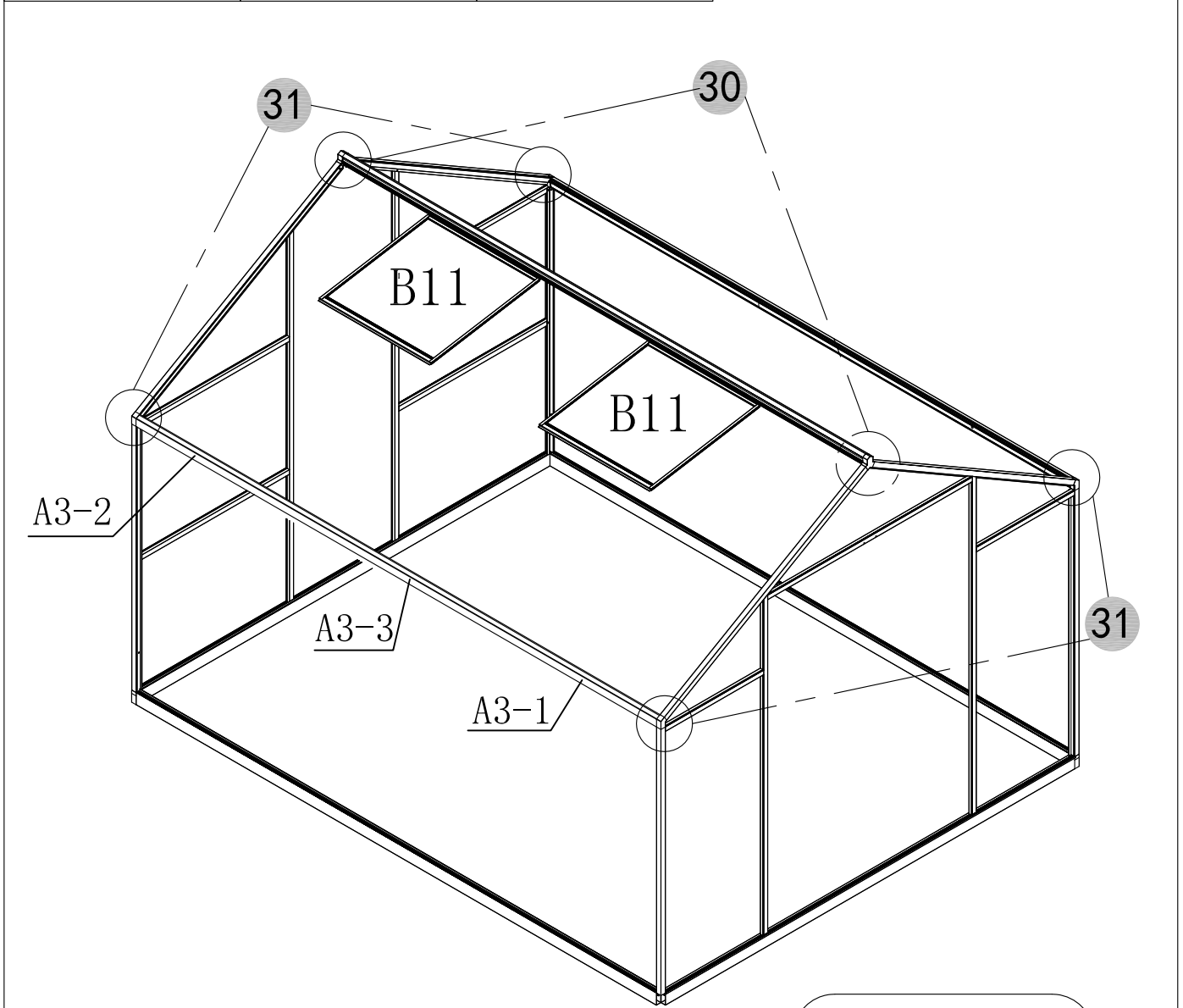
H9

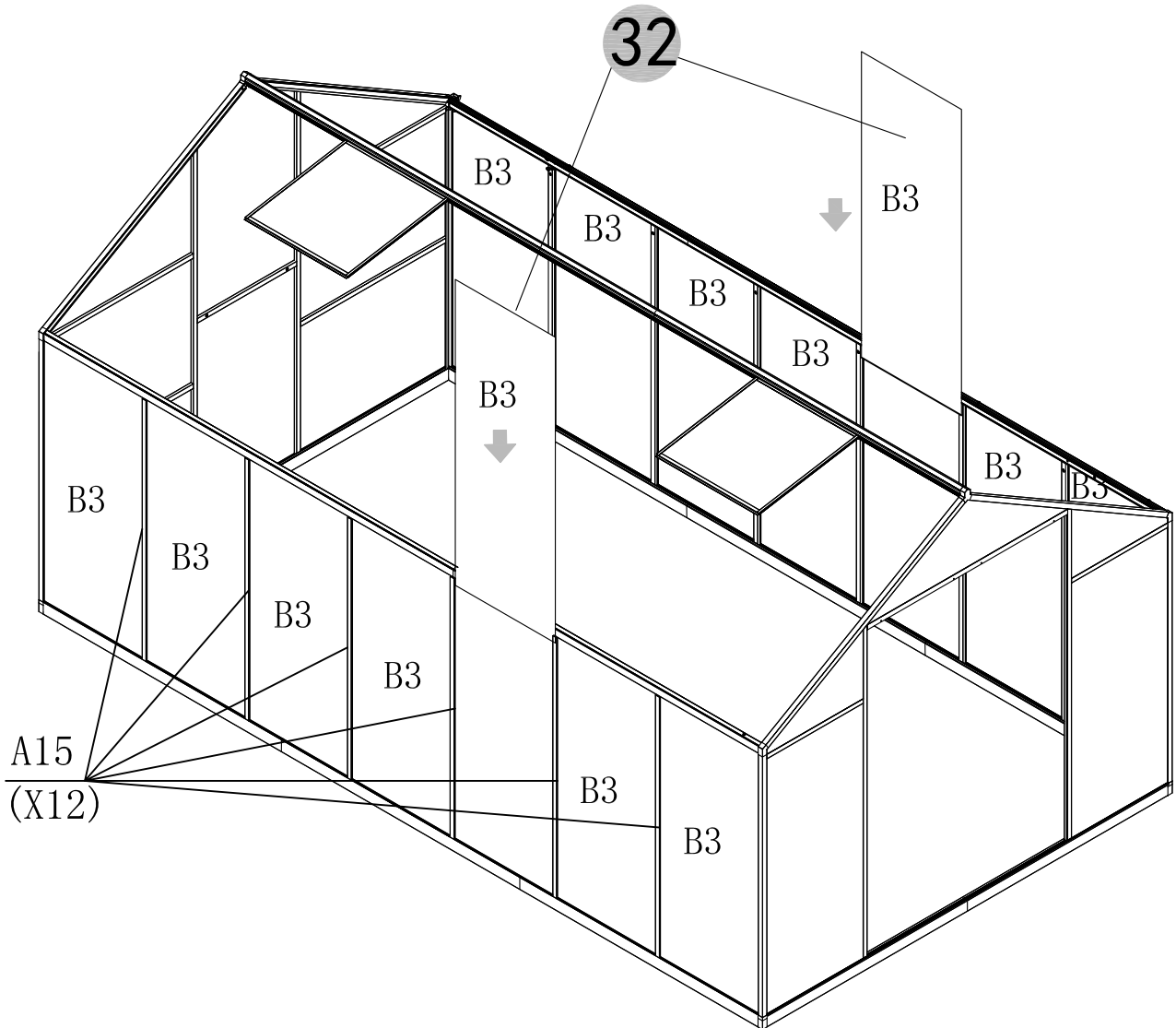
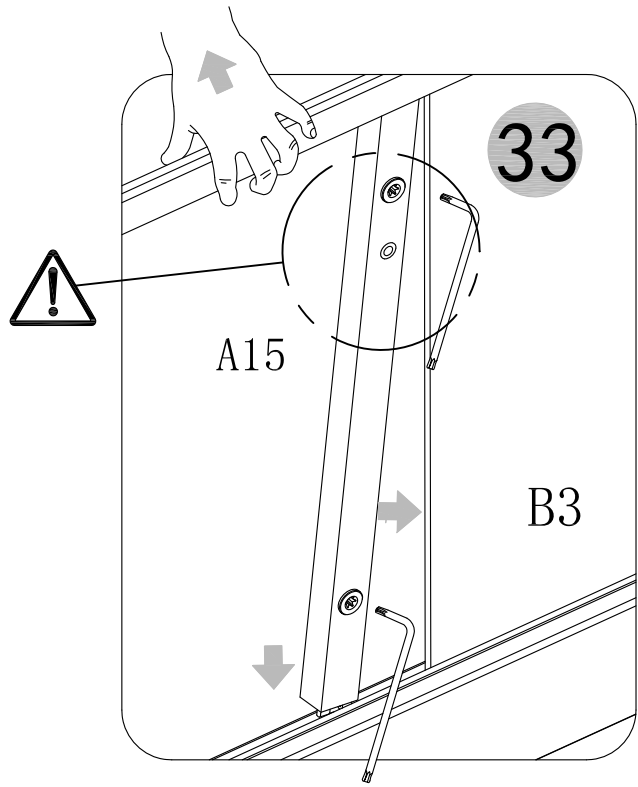
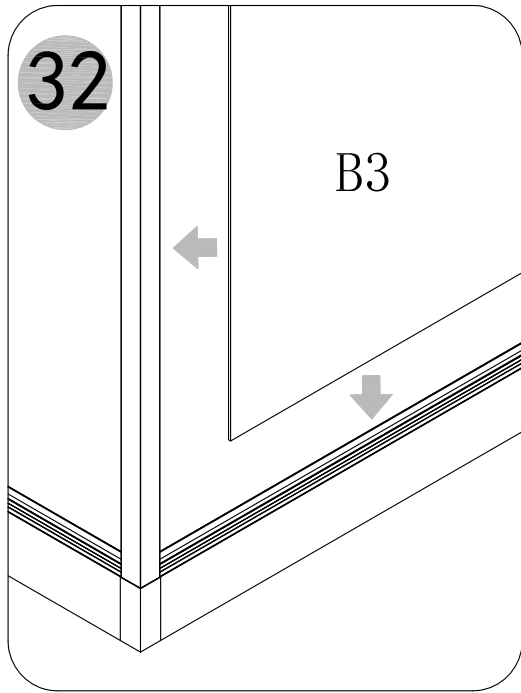


H17

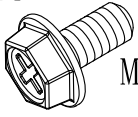


<p>H12</p>  <p>5x10 X4</p>	<p>H6</p>  <p>M6x30 X2</p>	<p>H9</p>  <p>M6 X2</p>
---	---	--

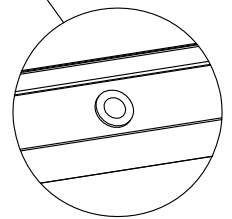
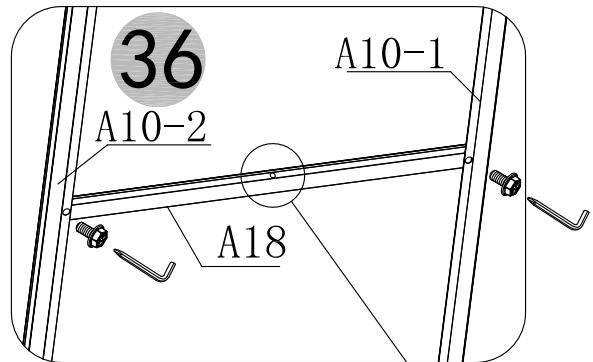
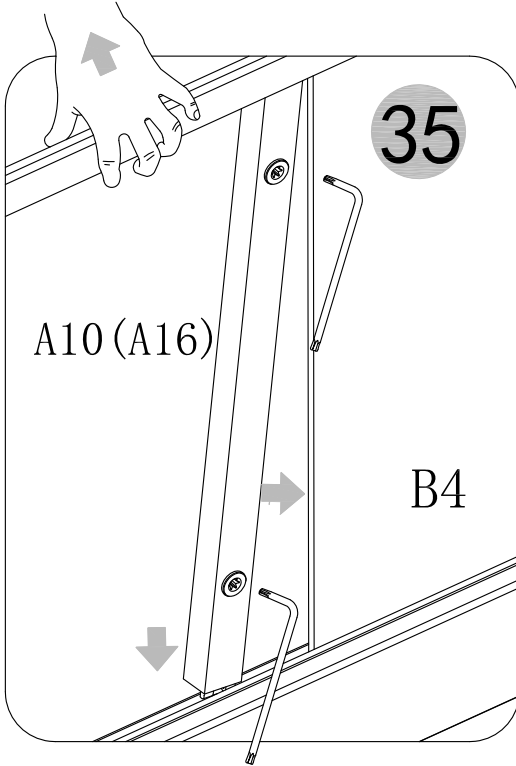
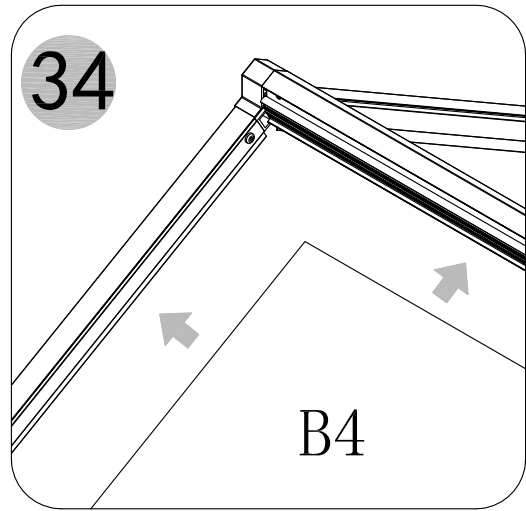




H8

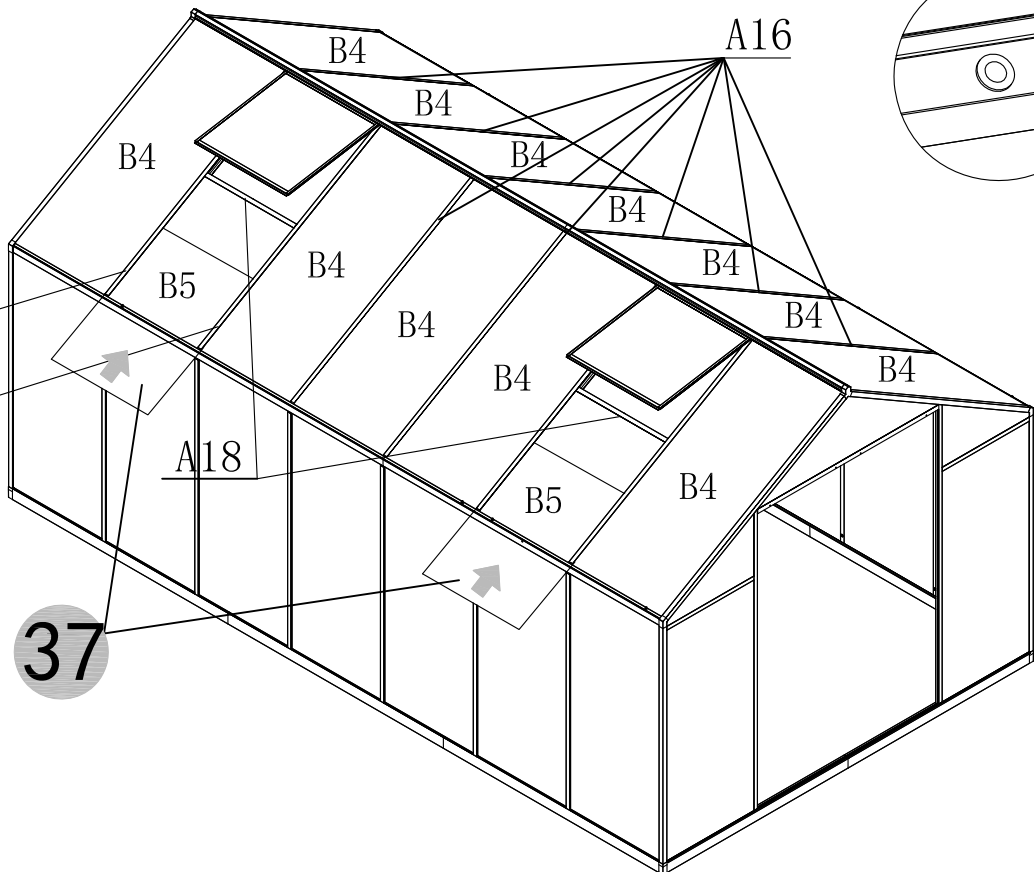


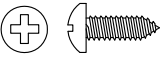
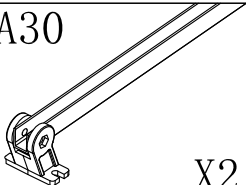
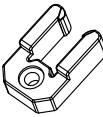
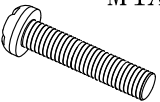
M6x12
X4

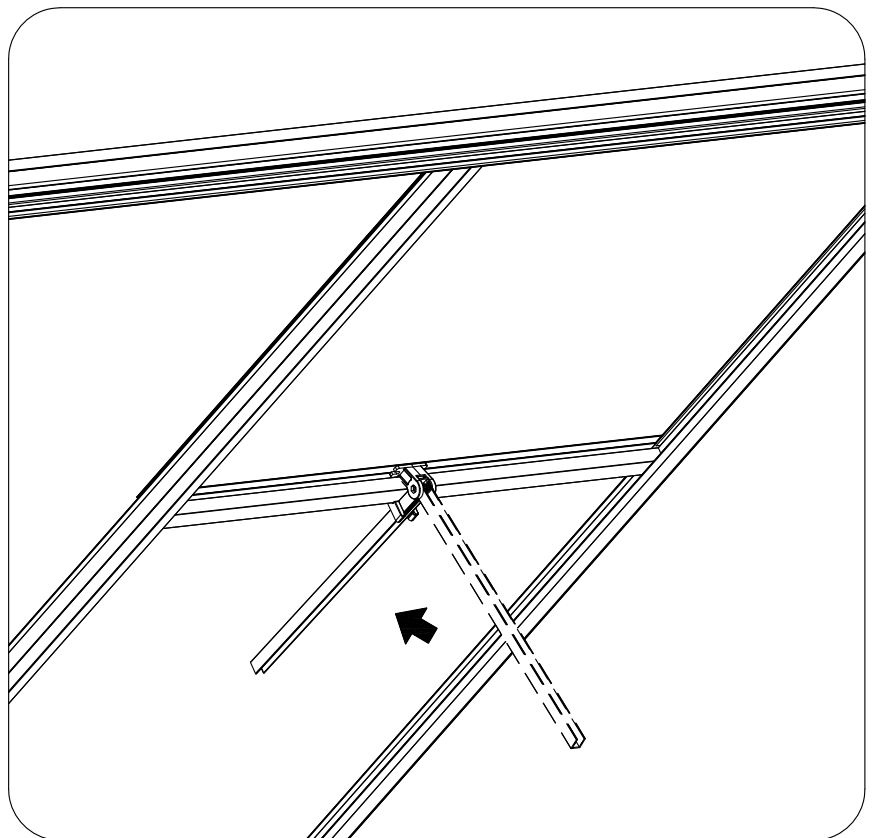
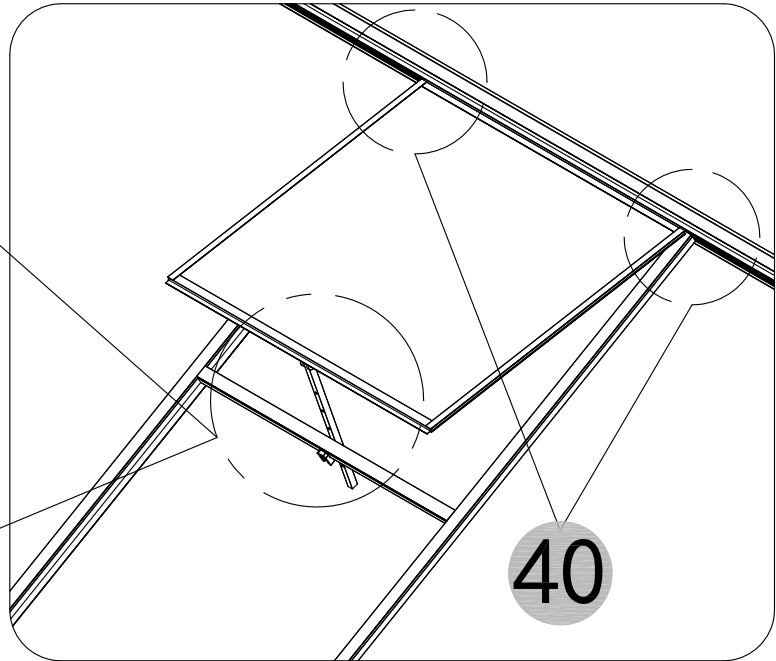
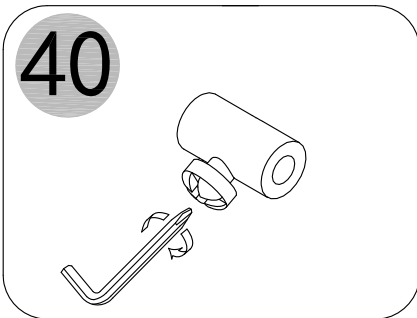
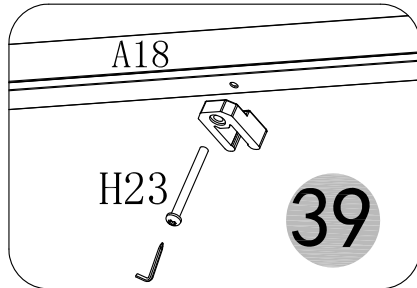
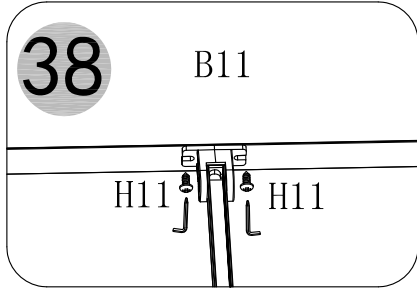


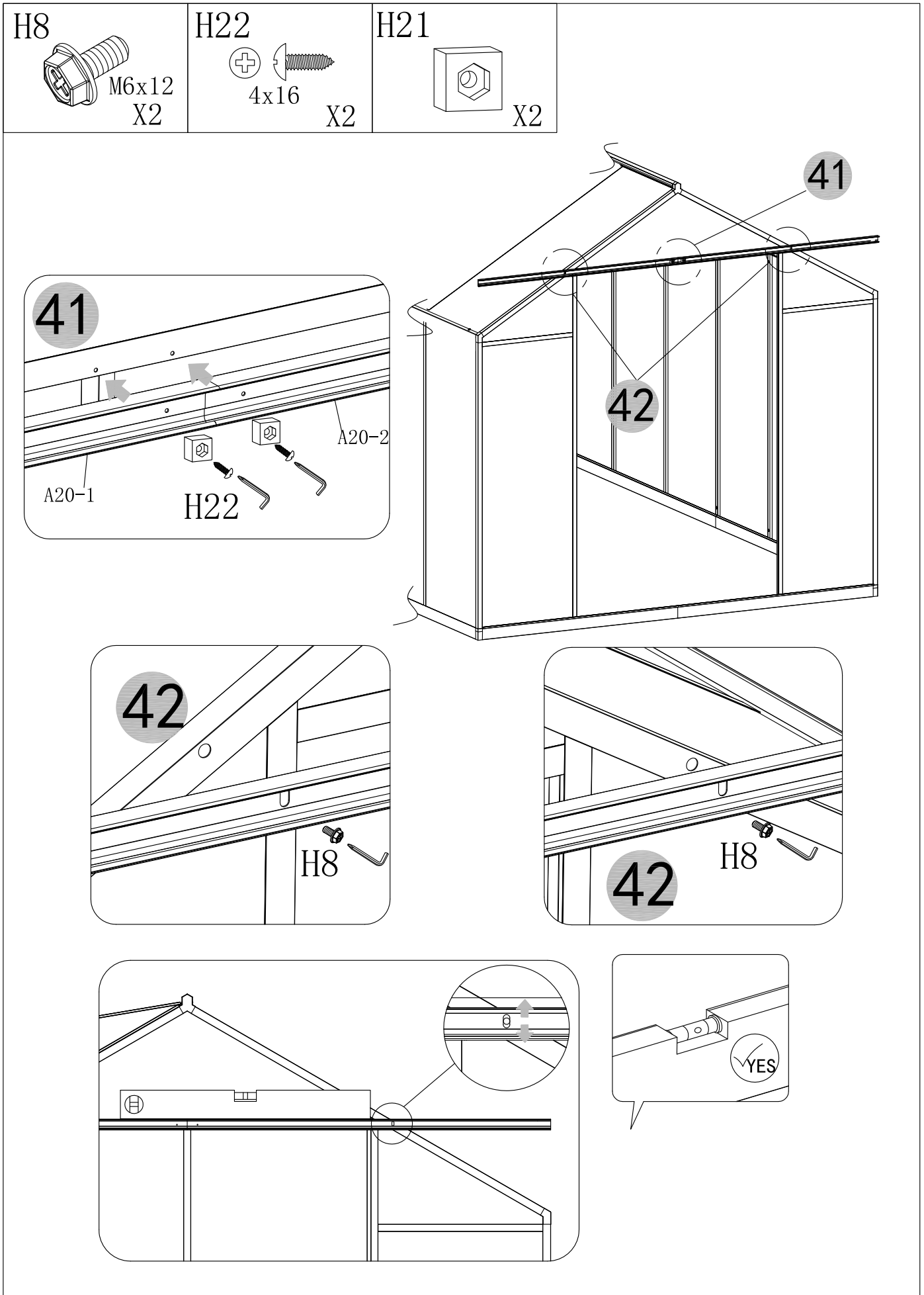
A10-1

A10-2

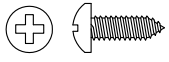


<p>H11</p>  <p>4x8 X4</p>	<p>A30</p>  <p>X2</p>	<p>H16</p>  <p>X2</p>	<p>H23</p> <p>M4X40 X2</p> 
--	--	--	---





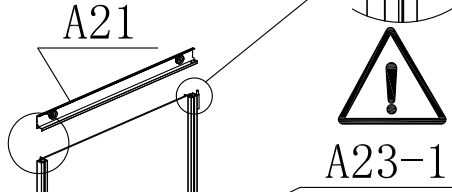
H10



4x10

X16

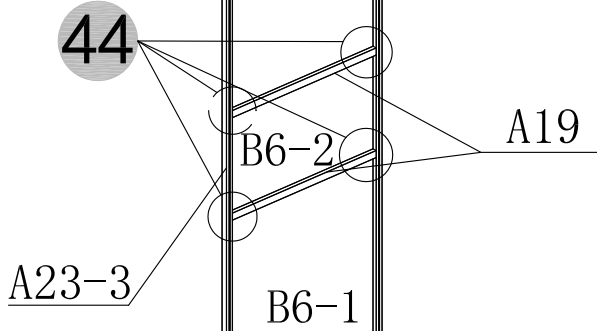
45



B6-1

A23-1

44



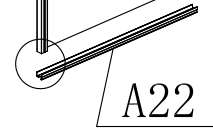
B6-2

A19

A23-3

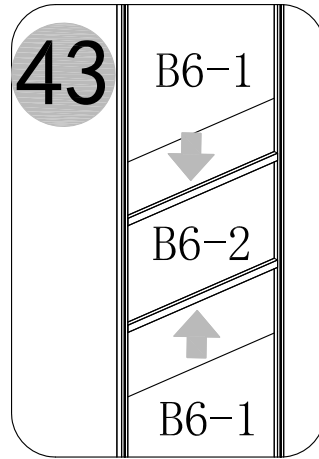
B6-1

46



A22

43

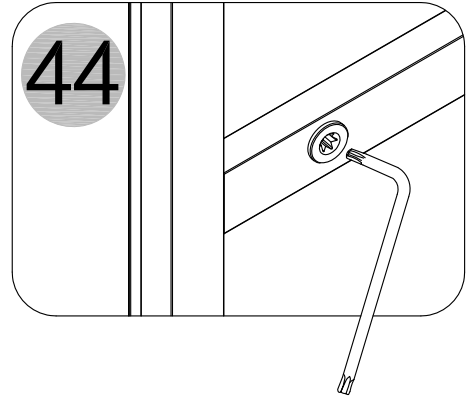


B6-1

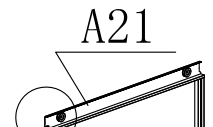
B6-2

B6-1

44

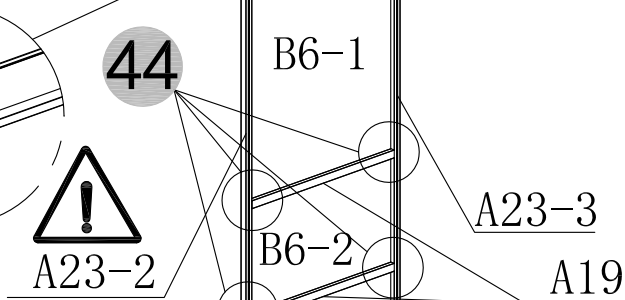


45



B6-1

44



B6-2

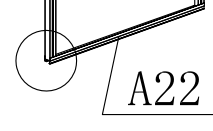
A23-3

A19

A23-2

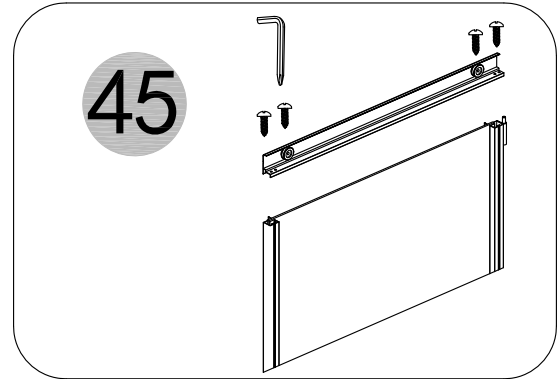
B6-1

46

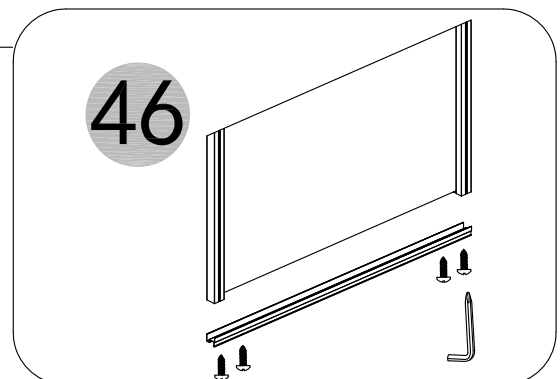


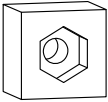
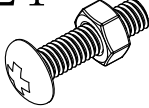
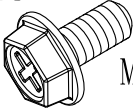
A22

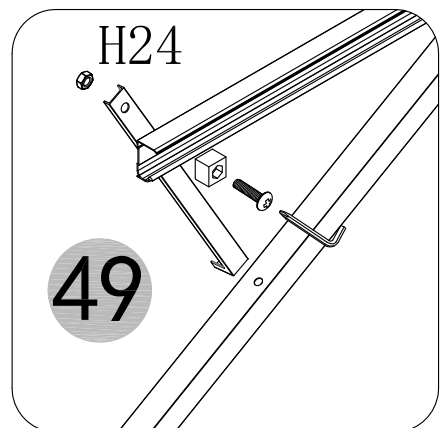
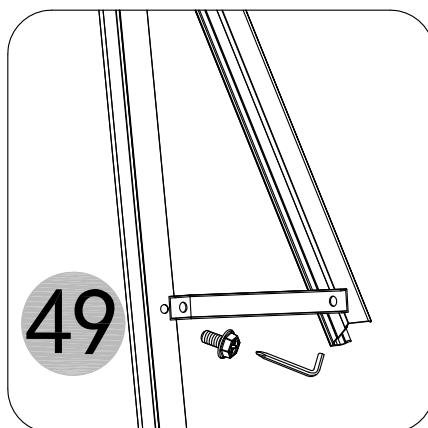
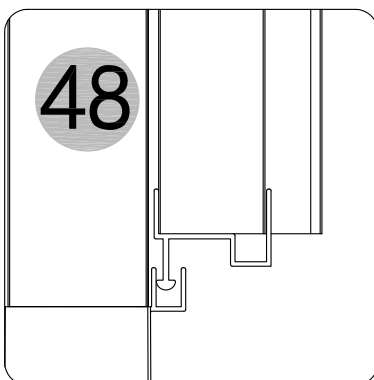
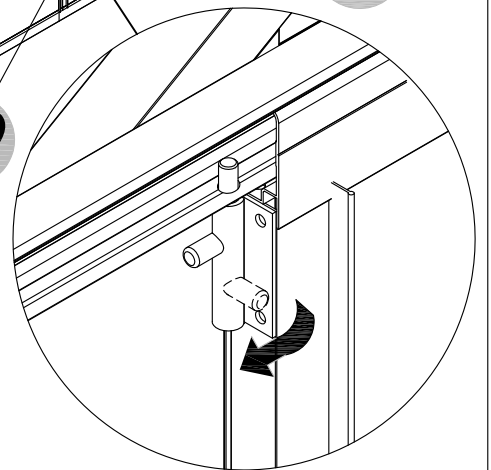
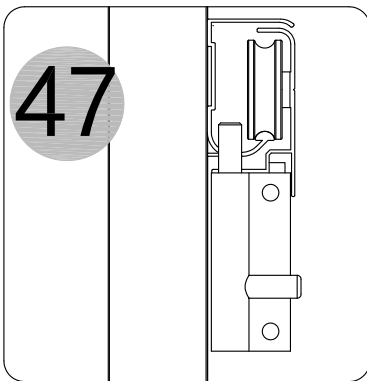
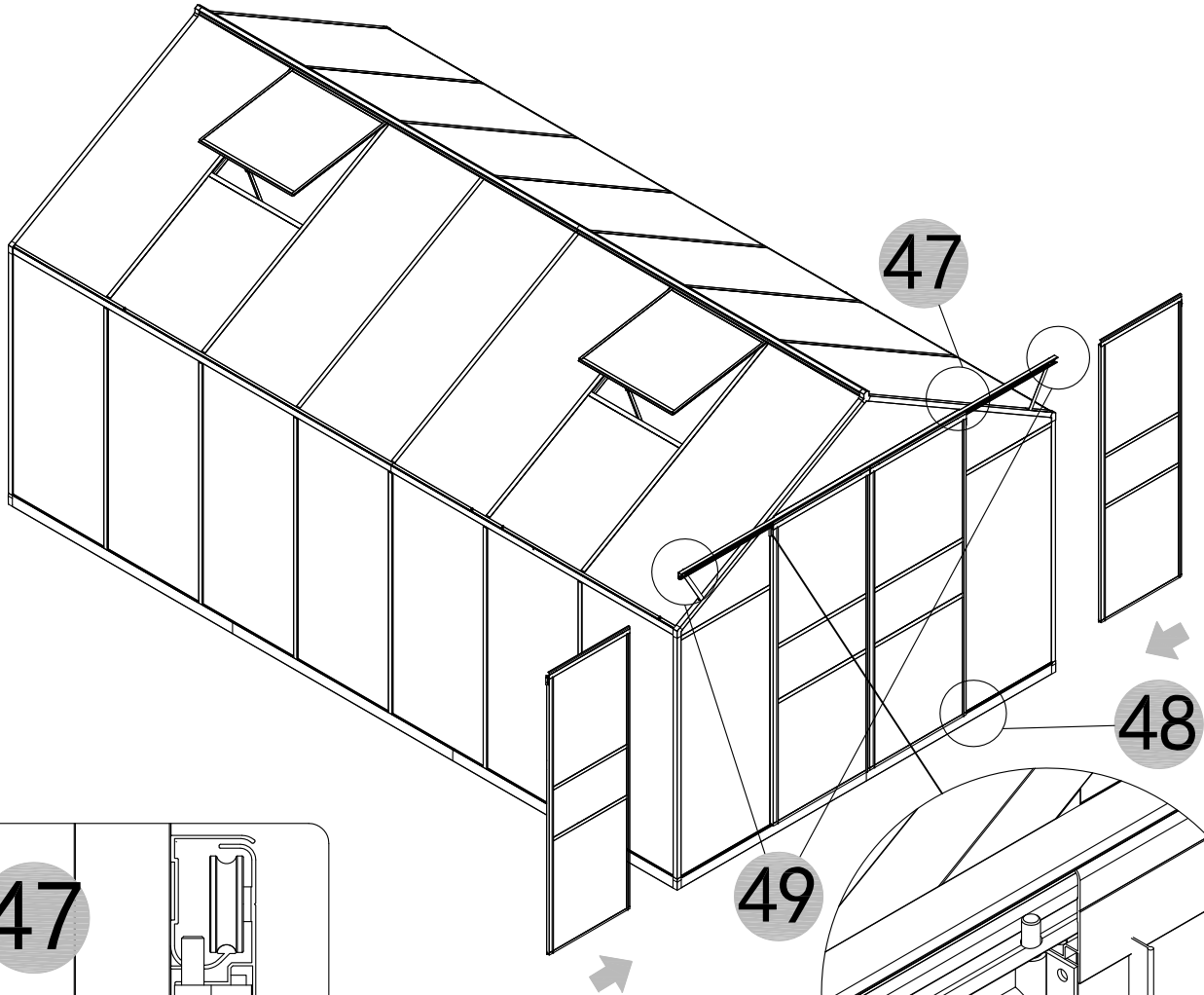
45

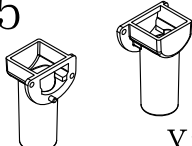
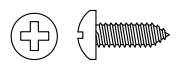
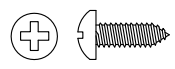



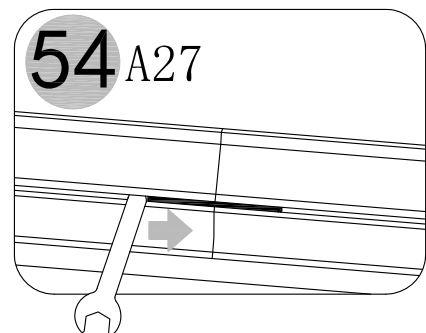
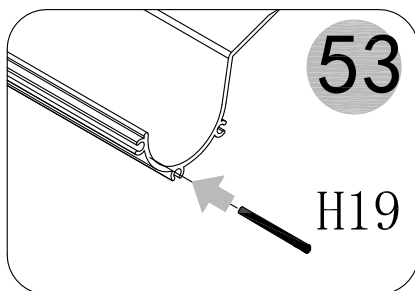
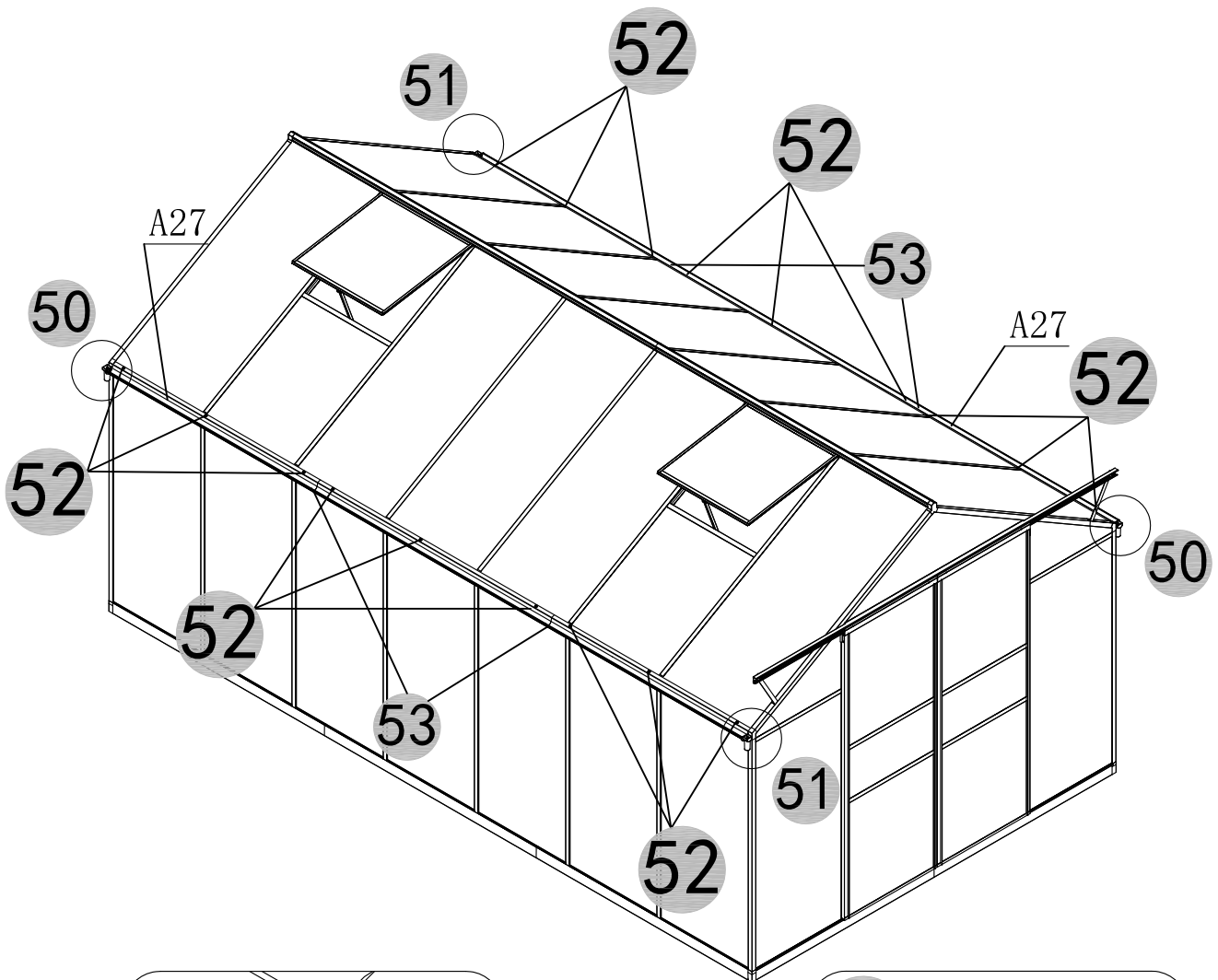
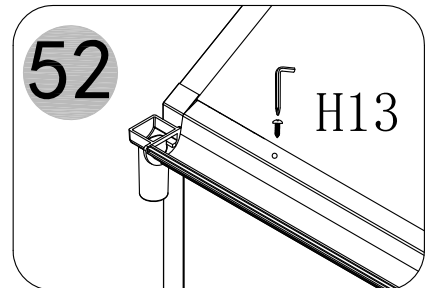
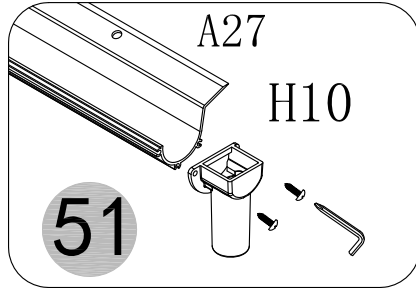
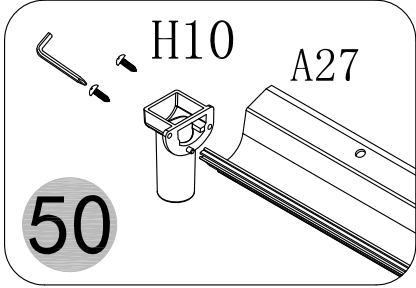
46



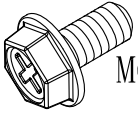
<p>H21</p>  <p>X2</p>	<p>H24</p>  <p>X2</p>	<p>H8</p>  <p>M6x12 X2</p>
--	--	---



<p>H5</p>  <p>X2</p>	<p>H10</p>  <p>4x10 X8</p>	<p>H13</p>  <p>5x16 X18</p>	<p>H19</p>  <p>X4</p>
---	---	--	--



H18



M6x20
X16

