

FOR YOUR SAFETY

If you smell gas:

1. Do not attempt to light appliance.
2. Extinguish any open flame.
3. Disconnect from fuel supply.

FOR YOUR SAFETY

Do not store or use gasoline or other liquids with flammable vapors in the vicinity of this or any other appliance.

DANGER



CARBON MONOXIDE HAZARD

- This appliance can produce carbon monoxide which has no odor.
- Using it in an enclosed space can kill you.
- Never use this appliance in an enclosed space such as a camper, tent, car or home.

This manual contains important information about the assembly, operation and maintenance of this outdoor propane appliance. General safety information is presented on this page and is also located throughout these instructions. Particular attention should be paid to information accompanied by the safety alert symbol "▲ DANGER", "▲ WARNING", "▲ CAUTION".

Keep this manual for future reference and to educate new users of this product. This manual should be read in conjunction with the labeling on the product.

Safety precautions are essential when any mechanical or propane fueled equipment is involved. These precautions are necessary when using, storing, and servicing. Using this equipment with the respect and caution demanded will reduce the possibilities of personal injury or property damage.

▲ DANGER
DANGER indicates an imminently hazardous situation which, if not avoided, will result in death or serious injury.

▲ WARNING
WARNING indicates a potentially hazardous situation which, if not avoided, could result in death or serious injury.

▲ CAUTION
CAUTION indicates a potentially hazardous situation which, if not avoided, may result in minor or moderate personal injury, or property damage.

▲ DANGER
Failure to comply with the precautions and instructions provided with this stove can result in death, serious bodily injury and property loss or damage from hazards of fire, explosion, burn, asphyxiation, and/or carbon monoxide poisoning.

Only persons who can understand and follow the instructions should use or service these stoves.

If you need assistance or information such as an instruction manual or labels, contact The Coleman Company, Inc.

CALIFORNIA PROPOSITION 65:
WARNING: This fuel, and byproducts of combustion of this fuel, contain chemicals known to the state of California to cause cancer, birth defects, or other reproductive harm.

▲ WARNING
• This product is fueled by propane gas. Propane gas is invisible, odorless, and flammable. An odorant is normally added to help detect leaks and can be described as a "rotten egg" smell. The odorant can fade over time so leaking gas is not always detectable by smell alone.
• Propane gas is heavier than air and leaking propane will sink to the lowest level possible. It can ignite by ignition sources including matches, lighters, sparks or open flames of any kind many feet away from the original leak. Use only propane gas set up for vapor withdrawal.
• Propane gas should be stored or used in compliance with local ordinances and codes or with ANS/NFPA 58. Turn off propane when not in use.

▲ DANGER
• **EXPLOSION - FIRE HAZARD**
• Never store propane near high heat, open flames, pilot lights, direct sunlight, other ignition sources or where temperatures exceed 120 degrees F (49°C).
• Propane is heavier than air and can accumulate in low places. If you smell gas, leave the area immediately.
• Never install or remove propane tank while outdoor stove is lighted, near flame, pilot lights, other ignition sources or while outdoor stove is hot to touch.
• During lighting and operation, this product can be a source of ignition. Never use the stove in spaces that contain or may contain volatile or airborne combustibles, or products such as gasoline, solvents, paint thinner, dust particles or unknown chemicals. Minimum clearances from combustible materials: 12 inches from the sides and 48 inches from the top.
• Provide adequate clearances around air openings into the combustion chamber.

▲ CAUTION
• **SERVICE SAFETY**
• Keep all connections and fittings clean. Inspect propane cylinder and stove propane connections for damage before attaching.
• During set up, check all connections and fittings for leaks using soapy water. Never use a flame. Bubbles indicate a leak. Check that the connection is not cross-threaded and that it is tight. Perform another leak check. If there is still a leak, remove the cylinder and contact Coleman for service or repairs.
• Use as a cooking appliance only. Never alter in any way or use with any device or part not expressly approved by Coleman.
• Clean stove frequently to avoid grease accumulation and possible grease fires.

▲ WARNING
Not for home or recreational vehicle use. We can not foresee every use which may be made of our products.
Check with your local fire safety authority if you have questions about use.
• Other standards govern the use of fuel gases and heat producing products for specific uses. Your local authorities can advise you properly.
• Never refill disposable cylinders.
• Use the preset regulator that came with the stove. Do not attempt to adjust.
• Use only Coleman® accessories or parts. During stove set-up, check all fittings for leaks using soapy water. Never use a flame.

▲ WARNING
• **BURN HAZARD**
• Never leave stove unattended when hot or in use.
• Keep out of reach of children.

▲ DANGER
• **CARBON MONOXIDE HAZARD**
• This stove is a combustion appliance. All combustion appliances produce carbon monoxide (CO) during the combustion process. This product is designed to produce extremely minute, non-hazardous amounts of CO if used and maintained in accordance with all warnings and instructions. Do not use block air flow into or out of the stove.
• Carbon Monoxide (CO) poisoning produces flu-like symptoms, watery eyes, headaches, dizziness, fatigue and possibly death. You can't see it and you can't smell it. It's an invisible killer. If these symptoms are present during operation of this product get fresh air immediately!
• For outdoor use only.
• Never use inside house, camper, tent, vehicle or other unventilated or enclosed areas. This stove consumes air (oxygen). Do not use in unventilated or enclosed areas to avoid endangering your life.

▲ CAUTION
• **SERVICE SAFETY**
• Keep all connections and fittings clean. Inspect propane cylinder and stove propane connections for damage before attaching.
• During set up, check all connections and fittings for leaks using soapy water. Never use a flame. Bubbles indicate a leak. Check that the connection is not cross-threaded and that it is tight. Perform another leak check. If there is still a leak, remove the cylinder and contact Coleman for service or repairs.
• Use as a cooking appliance only. Never alter in any way or use with any device or part not expressly approved by Coleman.
• Clean stove frequently to avoid grease accumulation and possible grease fires.

▲ CAUTION
• **SERVICE SAFETY**
• Keep all connections and fittings clean. Inspect propane cylinder and stove propane connections for damage before attaching.
• During set up, check all connections and fittings for leaks using soapy water. Bubbles indicate a leak. Never use a flame.

▲ WARNING
Not for home or recreational vehicle use. We can not foresee every use which may be made of our products.
Check with your local fire safety authority if you have questions about use.
• Other standards govern the use of fuel gases and heat producing products for specific uses. Your local authorities can advise you properly.
• Never refill disposable cylinders.
• Use the preset regulator that came with the stove. Do not attempt to adjust.
• Use only Coleman® accessories or parts. During stove set-up, check all fittings for leaks using soapy water. Never use a flame.

Technical Characteristics

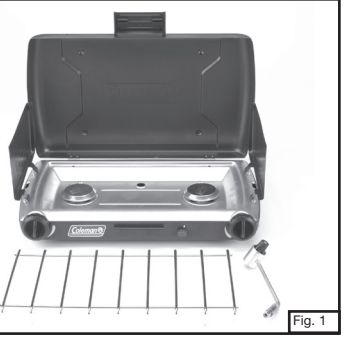
Input: 11,000 BTU/H per burner
Category: Pressure regulated propane
Fuel: 16.4 oz. disposable propane cylinders
Regulator: 5430

To Set Up

▲ DANGER
• **CARBON MONOXIDE HAZARD**
• For outdoor use only.
• Never use inside house, camper, tent, vehicle or other unventilated or enclosed areas. This stove consumes air (oxygen). Do not use in unventilated or enclosed areas to avoid endangering your life.

NOTE: Use Coleman 16.4 oz. disposable propane cylinders. The LP-gas cylinder(s) used with stoves must be constructed and marked in accordance with the specifications for LP-gas cylinders of the U.S. Department of Transportation or Transport Canada, CAN/CSA B539.

Remove components from carton. (Fig. 1)



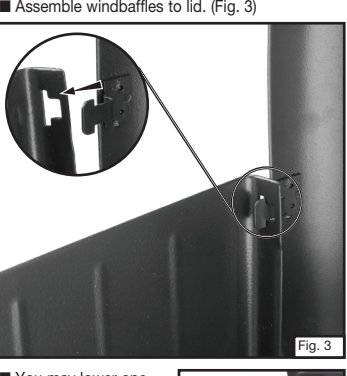
Install pot support as shown. (Fig. 5)



Close both burner valves firmly. (Fig. 6)



To open the lid, pull the latch release located below the latch. (Fig. 2)



You may lower one wind baffle to serve as a light utensil tray. (Fig. 4)

Propane cylinder correctly installed. (Fig. 9)

Never operate stove with propane cylinder in an inverted position. (Fig. 10)

Perform leak test outdoors. (Fig. 11)

Extinguish all open flames. (Fig. 12)

NEVER leak test when smoking. (Fig. 13)

Do not use the outdoor stove until connection has been leak tested and does not leak. (Fig. 14)

Set on sturdy, flat surface. (Fig. 15)

Hold lighted match near burner and open burner valve. (Fig. 11 and Fig. 12)

Adjust flame with burner valve. (Fig. 15) Flame should be blue with a hint of yellow on tips.

To Turn Off
Close both burner valves firmly. (Fig. 16)

To Clean
Make sure stove is cool. Move stove away from flame (including pilot lights) and other ignition sources. Remove propane cylinder from regulator and replace protective cap on cylinder. (Fig. 17)

To Store
Carry the stove, firmly grasp the stove by the hand opening located on the bottom of the stove. (Fig. 21)

Things You Should Know
It is unsafe and illegal in some places to store or use propane cylinders of greater than 1.14 kg (2.5 lbs) wet capacity (approximately 1 lb. propane) in occupied enclosures.

Maintenance
Keep stove area clear and free from combustible materials, gasoline and other flammable vapors and liquids. Do not obstruct the flow of combustion and ventilation air. A good flame should be blue with minimal yellow tip. Some yellow tips on flames are acceptable as long as no carbon or soot deposits appear. Wipe clean with soft cloth and mild dish detergent. Do not use abrasives. (Fig. 19)

Explosion - Fire Hazard
Propane is heavier than air and can accumulate in low places. If you smell gas, leave the area immediately. Always attach or detach propane source outdoors; never while stove is lighted, near flame, pilot lights, other ignition sources or while stove is hot to touch during use and can ignite flammables too close to the burners. Keep flammables at least 12 inches from the sides and 48 inches from the top of the stove. Keep gasoline and other flammable liquids and vapors well away from stove. The stove must not be exposed to flammable vapors or liquids during lighting.

Burn Hazard
Never leave stove unattended when hot or in use. Keep out of reach of children.

Standard ignition stoves

Set on sturdy, flat surface. For outdoor use only. Hold lighted match near burner and open burner valve. (Fig. 11 and Fig. 12)

Adjust flame with burner valve. (Fig. 15) Flame should be blue with a hint of yellow on tips.

To Turn Off
Close both burner valves firmly. (Fig. 16)

To Clean
Make sure stove is cool. Move stove away from flame (including pilot lights) and other ignition sources. Remove propane cylinder from regulator and replace protective cap on cylinder. (Fig. 17)

To Store
Carry the stove, firmly grasp the stove by the hand opening located on the bottom of the stove. (Fig. 21)

Things You Should Know
It is unsafe and illegal in some places to store or use propane cylinders of greater than 1.14 kg (2.5 lbs) wet capacity (approximately 1 lb. propane) in occupied enclosures.

Maintenance
Keep stove area clear and free from combustible materials, gasoline and other flammable vapors and liquids. Do not obstruct the flow of combustion and ventilation air. A good flame should be blue with minimal yellow tip. Some yellow tips on flames are acceptable as long as no carbon or soot deposits appear. Wipe clean with soft cloth and mild dish detergent. Do not use abrasives. (Fig. 19)

Explosion - Fire Hazard
Propane is heavier than air and can accumulate in low places. If you smell gas, leave the area immediately. Always attach or detach propane source outdoors; never while stove is lighted, near flame, pilot lights, other ignition sources or while stove is hot to touch during use and can ignite flammables too close to the burners. Keep flammables at least 12 inches from the sides and 48 inches from the top of the stove. Keep gasoline and other flammable liquids and vapors well away from stove. The stove must not be exposed to flammable vapors or liquids during lighting.

Burn Hazard
Never leave stove unattended when hot or in use. Keep out of reach of children.

To Light

Explosion - Fire Hazard
Propane is heavier than air and can accumulate in low places. If you smell gas, leave the area immediately. Always attach or detach propane source outdoors; never while stove is lighted, near flame, pilot lights, other ignition sources or while stove is hot to touch during use and can ignite flammables too close to the burners. Keep flammables at least 12 inches from the sides and 48 inches from the top of the stove. Keep gasoline and other flammable liquids and vapors well away from stove. The stove must not be exposed to flammable vapors or liquids during lighting.

Burn Hazard
Never leave stove unattended when hot or in use. Keep out of reach of children.

Leak Check

Perform leak test outdoors. Extinguish all open flames. NEVER leak test when smoking. Do not use the outdoor stove until connection has been leak tested and does not leak.

WARNING

BURN HAZARD
• Never leave stove unattended when hot or in use.
• Keep out of reach of children.

WARNING

EXPLOSION - FIRE HAZARD
• Propane is heavier than air and can accumulate in low places. If you smell gas, leave the area immediately.
• Always attach or detach propane source outdoors; never while stove is lighted, near flame, pilot lights, other ignition sources or while stove is hot to touch during use and can ignite flammables too close to the burners. Keep flammables at least 12 inches from the sides and 48 inches from the top of the stove. Keep gasoline and other flammable liquids and vapors well away from stove. The stove must not be exposed to flammable vapors or liquids during lighting.

WARNING

BURN HAZARD
• Never leave stove unattended when hot or in use.
• Keep out of reach of children.

Standard ignition stoves

Set on sturdy, flat surface. For outdoor use only. Hold lighted match near burner and open burner valve. (Fig. 11 and Fig. 12)

Adjust flame with burner valve. (Fig. 15) Flame should be blue with a hint of yellow on tips.

To Turn Off
Close both burner valves firmly. (Fig. 16)

To Clean
Make sure stove is cool. Move stove away from flame (including pilot lights) and other ignition sources. Remove propane cylinder from regulator and replace protective cap on cylinder. (Fig. 17)

To Store
Carry the stove, firmly grasp the stove by the hand opening located on the bottom of the stove. (Fig. 21)

Things You Should Know
It is unsafe and illegal in some places to store or use propane cylinders of greater than 1.14 kg (2.5 lbs) wet capacity (approximately 1 lb. propane) in occupied enclosures.

Maintenance
Keep stove area clear and free from combustible materials, gasoline and other flammable vapors and liquids. Do not obstruct the flow of combustion and ventilation air. A good flame should be blue with minimal yellow tip. Some yellow tips on flames are acceptable as long as no carbon or soot deposits appear. Wipe clean with soft cloth and mild dish detergent. Do not use abrasives. (Fig. 19)

Explosion - Fire Hazard
Propane is heavier than air and can accumulate in low places. If you smell gas, leave the area immediately. Always attach or detach propane source outdoors; never while stove is lighted, near flame, pilot lights, other ignition sources or while stove is hot to touch during use and can ignite flammables too close to the burners. Keep flammables at least 12 inches from the sides and 48 inches from the top of the stove. Keep gasoline and other flammable liquids and vapors well away from stove. The stove must not be exposed to flammable vapors or liquids during lighting.

Burn Hazard
Never leave stove unattended when hot or in use. Keep out of reach of children.

To Light

Explosion - Fire Hazard
Propane is heavier than air and can accumulate in low places. If you smell gas, leave the area immediately. Always attach or detach propane source outdoors; never while stove is lighted, near flame, pilot lights, other ignition sources or while stove is hot to touch during use and can ignite flammables too close to the burners. Keep flammables at least 12 inches from the sides and 48 inches from the top of the stove. Keep gasoline and other flammable liquids and vapors well away from stove. The stove must not be exposed to flammable vapors or liquids during lighting.

Burn Hazard
Never leave stove unattended when hot or in use. Keep out of reach of children.

Leak Check

Perform leak test outdoors. Extinguish all open flames. NEVER leak test when smoking. Do not use the outdoor stove until connection has been leak tested and does not leak.

WARNING

BURN HAZARD
• Never leave stove unattended when hot or in use.
• Keep out of reach of children.

WARNING

EXPLOSION - FIRE HAZARD
• Propane is heavier than air and can accumulate in low places. If you smell gas, leave the area immediately.
• Always attach or detach propane source outdoors; never while stove is lighted, near flame, pilot lights, other ignition sources or while stove is hot to touch during use and can ignite flammables too close to the burners. Keep flammables at least 12 inches from the sides and 48 inches from the top of the stove. Keep gasoline and other flammable liquids and vapors well away from stove. The stove must not be exposed to flammable vapors or liquids during lighting.

WARNING

BURN HAZARD
• Never leave stove unattended when hot or in use.
• Keep out of reach of children.

Standard ignition stoves

Set on sturdy, flat surface. For outdoor use only. Hold lighted match near burner and open burner valve. (Fig. 11 and Fig. 12)

Adjust flame with burner valve. (Fig. 15) Flame should be blue with a hint of yellow on tips.

To Turn Off
Close both burner valves firmly. (Fig. 16)

To Clean
Make sure stove is cool. Move stove away from flame (including pilot lights) and other ignition sources. Remove propane cylinder from regulator and replace protective cap on cylinder. (Fig. 17)

To Store
Carry the stove, firmly grasp the stove by the hand opening located on the bottom of the stove. (Fig. 21)

Things You Should Know
It is unsafe and illegal in some places to store or use propane cylinders of greater than 1.14 kg (2.5 lbs) wet capacity (approximately 1 lb. propane) in occupied enclosures.

Maintenance
Keep stove area clear and free from combustible materials, gasoline and other flammable vapors and liquids. Do not obstruct the flow of combustion and ventilation air. A good flame should be blue with minimal yellow tip. Some yellow tips on flames are acceptable as long as no carbon or soot deposits appear. Wipe clean with soft cloth and mild dish detergent. Do not use abrasives. (Fig. 19)

Explosion - Fire Hazard
Propane is heavier than air and can accumulate in low places. If you smell gas, leave the area immediately. Always attach or detach propane source outdoors; never while stove is lighted, near flame, pilot lights, other ignition sources or while stove is hot to touch during use and can ignite flammables too close to the burners. Keep flammables at least 12 inches from the sides and 48 inches from the top of the stove. Keep gasoline and other flammable liquids and vapors well away from stove. The stove must not be exposed to flammable vapors or liquids during lighting.

Burn Hazard
Never leave stove unattended when hot or in use. Keep out of reach of children.

To Light

Explosion - Fire Hazard
Propane is heavier than air and can accumulate in low places. If you smell gas, leave the area immediately. Always attach or detach propane source outdoors; never while stove is lighted, near flame, pilot lights, other ignition sources or while stove is hot to touch during use and can ignite flammables too close to the burners. Keep flammables at least 12 inches from the sides and 48 inches from the top of the stove. Keep gasoline and other flammable liquids and vapors well away from stove. The stove must not be exposed to flammable vapors or liquids during lighting.

Burn Hazard
Never leave stove unattended when hot or in use. Keep out of reach of children.

Leak Check

Perform leak test outdoors. Extinguish all open flames. NEVER leak test when smoking. Do not use the outdoor stove until connection has been leak tested and does not leak.

WARNING

BURN HAZARD
• Never leave stove unattended when hot or in use.
• Keep out of reach of children.

WARNING

EXPLOSION - FIRE HAZARD
• Propane is heavier than air and can accumulate in low places. If you smell gas, leave the area immediately.
• Always attach or detach propane source outdoors; never while stove is lighted, near flame, pilot lights, other ignition sources or while stove is hot to touch during use and can ignite flammables too close to the burners. Keep flammables at least 12 inches from the sides and 48 inches from the top of the stove. Keep gasoline and other flammable liquids and vapors well away from stove. The stove must not be exposed to flammable vapors or liquids during lighting.

WARNING

BURN HAZARD
• Never leave stove unattended when hot or in use.
• Keep out of reach of children.

To Store

Carry the stove, firmly grasp the stove by the hand opening located on the bottom of the stove. (Fig. 21)

Things You Should Know
It is unsafe and illegal in some places to store or use propane cylinders of greater than 1.14 kg (2.5 lbs) wet capacity (approximately 1 lb. propane) in occupied enclosures.

Maintenance
Keep stove area clear and free from combustible materials, gasoline and other flammable vapors and liquids. Do not obstruct the flow of combustion and ventilation air. A good flame should be blue with minimal yellow tip. Some yellow tips on flames are acceptable as long as no carbon or soot deposits appear. Wipe clean with soft cloth and mild dish detergent. Do not use abrasives. (Fig. 19)

Explosion - Fire Hazard
Propane is heavier than air and can accumulate in low places. If you smell gas, leave the area immediately. Always attach or detach propane source outdoors; never while stove is lighted, near flame, pilot lights, other ignition sources or while stove is hot to touch during use and can ignite flammables too close to the burners. Keep flammables at least 12 inches from the sides and 48 inches from the top of the stove. Keep gasoline and other flammable liquids and vapors well away from stove. The stove must not be exposed to flammable vapors or liquids during lighting.

Burn Hazard
Never leave stove unattended when hot or in use. Keep out of reach of children.

To Light

Explosion - Fire Hazard
Propane is heavier than air and can accumulate in low places. If you smell gas, leave the area immediately. Always attach or detach propane source outdoors; never while stove is lighted, near flame, pilot lights, other ignition sources or while stove is hot to touch during use and can ignite flammables too close to the burners. Keep flammables at least 12 inches from the sides and 48 inches from the top of the stove. Keep gasoline and other flammable liquids and vapors well away from stove. The stove must not be exposed to flammable vapors or liquids during lighting.

Burn Hazard
Never leave stove unattended when hot or in use. Keep out of reach of children.

Leak Check

Perform leak test outdoors. Extinguish all open flames. NEVER leak test when smoking. Do not use the outdoor stove until connection has been leak tested and does not leak.

WARNING

BURN HAZARD
• Never leave stove unattended when hot or in use.
• Keep out of reach of children.

WARNING

EXPLOSION - FIRE HAZARD
• Propane is heavier than air and can accumulate in low places. If you smell gas, leave the area immediately.
• Always attach or detach propane source outdoors; never while stove is lighted, near flame, pilot lights, other ignition sources or while stove is hot to touch during use and can ignite flammables too close to the burners. Keep flammables at least 12 inches from the sides and 48 inches from the top of the stove. Keep gasoline and other flammable liquids and vapors well away from stove. The stove must not be exposed to flammable vapors or liquids during lighting.

WARNING

BURN HAZARD
• Never leave stove unattended when hot or in use.
• Keep out of reach of children.

WARNING

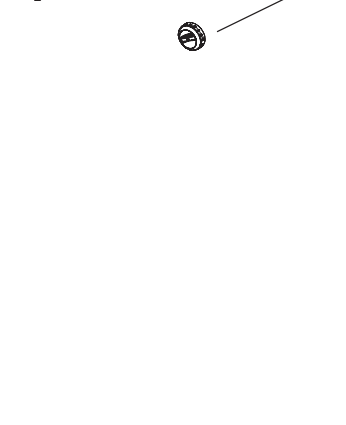
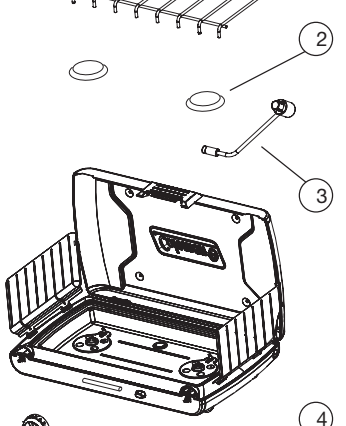
EXPLOSION - FIRE HAZARD
• Propane is heavier than air and can accumulate in low places. If you smell gas, leave the area immediately.
• Always attach or detach propane source outdoors; never while stove is lighted, near flame, pilot lights, other ignition sources or while stove is hot to touch during use and can ignite flammables too close to the burners. Keep flammables at least 12 inches from the sides and 48 inches from the top of the stove. Keep gasoline and other flammable liquids and vapors well away from stove. The stove must not be exposed to flammable vapors or liquids during lighting.

WARNING

BURN HAZARD
• Never leave stove unattended when hot or in use.
• Keep out of reach of children.

Parts List

No.	Part Number	Description
1	5466A5401	Grate
2	5466A1321	Burner Assembly (1 pk)
3	5430-5651	Regulator Assembly
4	5466A1491	Control Knob (1 pk)



For products purchased in the United States:
The Coleman Company, Inc.
3600 North Hydraulic
Wichita, KS 67219 U.S.A.

For products purchased in Canada:
Sunbeam Corporation (Canada) Limited
DBA Jardien Consumer Solutions
208 Herford Street
Brampton, ON L6Y 0M1

For products purchased in the United States:
The Coleman Company, Inc.
3600 North Hydraulic
Wichita, KS 67219 U.S.A.

For products purchased in Canada:
Sunbeam Corporation (Canada) Limited
DBA Jardien Consumer Solutions
208 Herford Street
Brampton, ON L6Y 0M1

For products purchased in the United States:
The Coleman Company, Inc.
3600 North Hydraulic
Wichita, KS 67219 U.S.A.

For products purchased in Canada:
Sunbeam Corporation (Canada) Limited
DBA Jardien Consumer Solutions
208 Herford Street
Brampton, ON L6Y 0M1

For products purchased in the United States:
The Coleman Company, Inc.
3600 North Hydraulic
Wichita, KS 67219 U.S.A.

For products purchased in Canada:
Sunbeam Corporation (Canada) Limited
DBA Jardien Consumer Solutions
208 Herford Street
Brampton, ON L6Y 0M1

For products purchased in the United States:
The Coleman Company, Inc.
3600 North Hydraulic
Wichita, KS 67219 U.S.A.

For products purchased in Canada:
Sunbeam Corporation (Canada) Limited
DBA Jardien Consumer Solutions
208 Herford Street
Brampton, ON L6Y 0M1

