

Capacity: Up to 48 bottles (0.75 L)  
 Defrost Type: Automatic (cycle) Defrost  
 Colors: Stainless Steel and Black

*Echelon Series*

## Features & Benefits



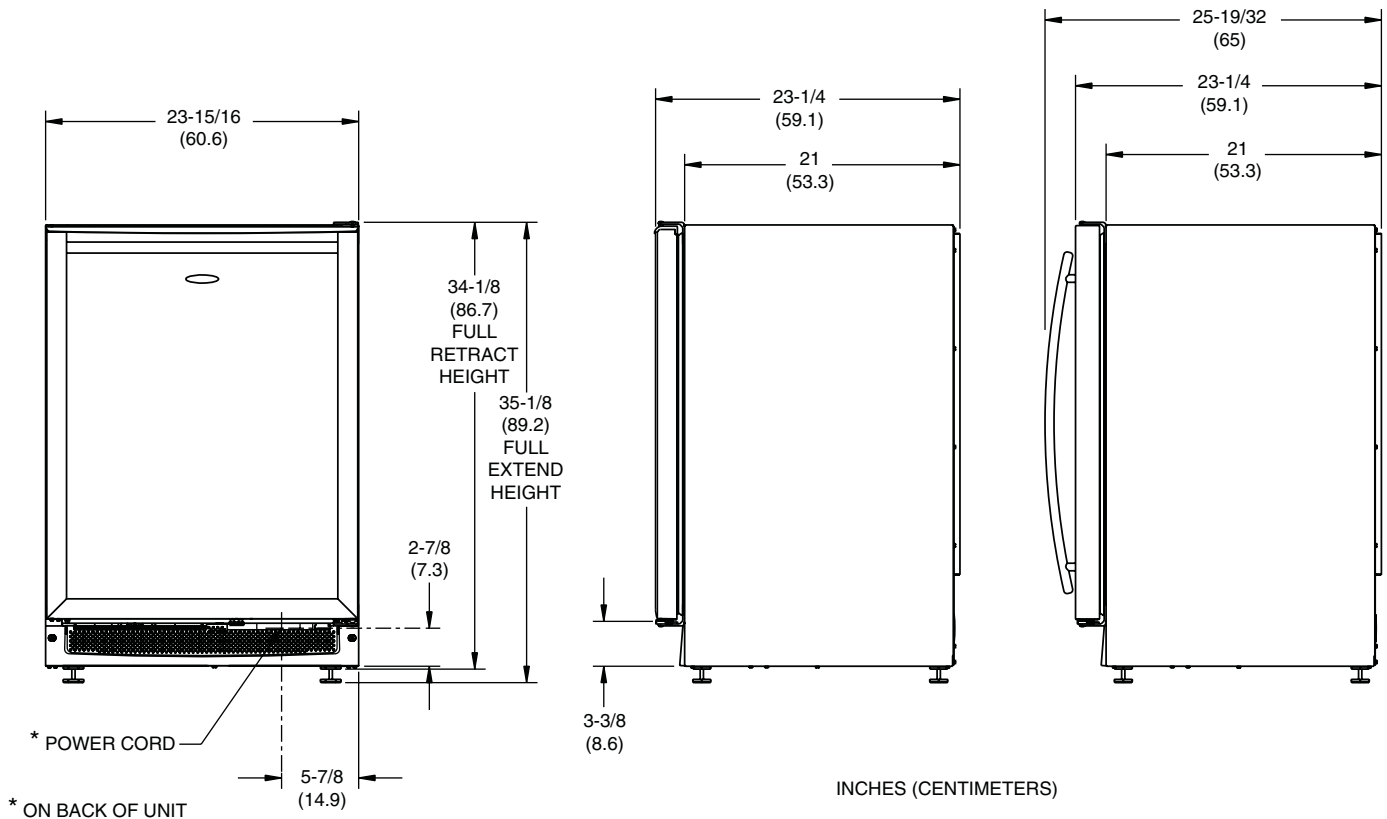
Feature	Benefit
Zones	Maintains wine at their proper serving temperature Top      Approximately 55°F (Red) Middle   Approximately 50°F (White) Bottom   Approximately 45°F (Sparkling) Safely stores three or two types, or a single type, of wine
Stable temperatures	Stable, consistent temperatures provide longer-term storage capability.
Touch Control Digital Technology	<ul style="list-style-type: none"> <li>Elegantly integrated into the bottom maple-trimmed wine rack</li> <li>Provides ability to set the middle temperature and see the temperatures in all three temperature zones</li> <li>Manages key model functions and provides user alerts</li> </ul>
Black interior	Elegant visual appearance
Adjustable on/off interior light	<ul style="list-style-type: none"> <li>Automatically illuminates when the door is opened</li> <li>May be manually turned on when door is closed for viewing one's wines</li> <li>Auto shut-off after four hours</li> <li>Recessed so as not to interfere with access to wine</li> </ul>
Open door alarm	Audible alert when door is left open
Full extension slide-out vinyl-coated wine racks	Allow for easy access to all wine bottles and prevents bottles from slipping
Contoured maple-trimmed wine racks	Wood can be stained or replaced with a solid surface material to match surrounding décor.
Maple-trimmed display rack	This lower positioned display rack slants your wine bottles at an approximate 40° angle, allowing for an elegant presentation of your wine.
Built-in	Provides custom look. No additional clearance around sides, top or rear of unit for ventilation. <b>Do not obstruct front grille.</b>
Black model	Offers a black elegant integrated handle and grille with a black vinyl-clad steel cabinet
Stainless steel model	<ul style="list-style-type: none"> <li>Offers a seamless stainless steel-trimmed glass door with a sculpted stainless steel handle and a full wrap stainless cabinet, and a stainless-like grille</li> <li>Must order right- or left-hand hinged</li> <li>Optional bold commercial-style stainless handle available for purchase</li> </ul>
Tinted, thermal glass door	Protects wine from potentially harmful ultraviolet light rays
Self-closing door	Ensures a positive door seal and prevents door bounce back
Field-reversible doors	Flexible installation options. Black model only.
Black vinyl-clad cabinet	<ul style="list-style-type: none"> <li>Textured look, more resistant to scratching, peeling or flaking</li> <li>Black model only</li> </ul>
Leveling legs	More precise undercounter fit, durable, factory-installed
Sabbath or "Black Out" mode	Easily turn off all lights and control displays. Automatically resets after 36 hours.
Contemporary grille design	Integrates seamlessly with surrounding cabinetry

# Dimensions & Specifications

*Echelon Series*

**2175WC**

**2175WC (Stainless Steel)**



## Wine Captain® Model 2175WC

### Specifications

Shipping Weight:	
Black Models	138 lbs (63 kg)
Stainless Steel Models	145 lbs (66 kg)
(1) Running Amps	2.4
(1) Maximum Start-up Amps	9.8

### Capacities

Refrigerator volume	N/A
Freezer volume	N/A
Approximate daily ice production	N/A
Ice storage	N/A
Wine bottle storage (0.75 L)	Up to 48

(1) Amps pertain to a 110/115 volt, 60 Hz electrical environment.

Anchoring device included with unit

Stainless steel model must be ordered right- or left-hand hinged.

Stainless steel models: Allow 2-1/2" clearance on hinge side for 90° door opening when installed against a wall.

To prevent potential interior liner damage, please consult the Installation Guide if you choose to stain the wood trim on the wine racks.

*Please visit [www.U-Line.com](http://www.U-Line.com) for Installation Guide.  
All specifications subject to change without notice.*



8900 North 55th Street • Milwaukee, Wisconsin 53223  
Phone: 414-354-0300 • Fax: 414-354-7905 • [www.u-line.com](http://www.u-line.com)