

polar



Arctic Two
Burner



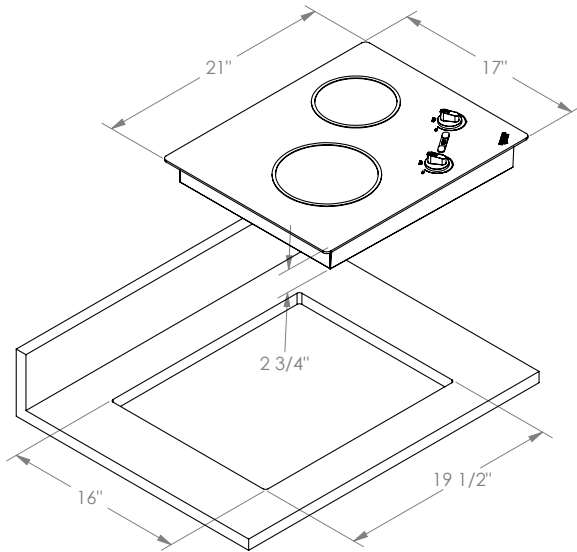
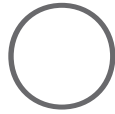
Freeze renovation costs and support the environment with an upgrade to "green" ceramic electric cook tops that easily slip into existing countertop openings from obsolete coil cook tops.



Antarctic Two Burner

KENYON[®]
Custom





Models: ARCTIC2, ANTARCTIC2

Arctic - Black Glass Unit

Model B41603

120 volt - 22 amp.

1 - 6 1/2" (165mm) @ 1200 watts

1 - 8" (200mm) @ 1400 watts

Model 41604

240 volt - 13 amp.

1 - 6 1/2" (165mm) @1200 watts

1 - 8" (200mm) @ 1800 watts

Antarctic - White Glass Unit

Model B49512

120 volt - 22 amp.

1 - 6 1/2" (165mm) @ 1200 watts

1 - 8" (200mm) @ 1400 watts

Model B49513

240 volt - 13 amp.

1 - 6 1/2" (165mm) @1200 watts

1 - 8" (200mm) @ 1800 watts

Overall Dimensions: 21" x 17" x 2 3/4"

533.4mm x 431.8mm x 69.9mm

Cutout Dimensions: 19 1/2" x 16" with 1/2" radius

495.3mm 406.4mm with 6.4 radius

Sustainably conscious and cost effective, the Polar series ceramic cook tops, in your choice of clear black Arctic or cool white Antarctic graphics, simplify and speed the renovation process!

Now remodeling and upgrading to "green" specifications is possible sans costly and laborious countertop replacement. Sized to fit an existing standard coil cook top opening and available in 120 Volts or 240 Volts, the Polar Series is equipped with push-to-turn controls, infinite heat control and quick-to-heat radiant ribbon elements.

Safety features include heat limiting cooking surface protectors, an **On** indicator light for each burner, and a **Hot** burner indicator light.

And as all Kenyon Custom products, backed by uncompromising quality and an exclusive 3-year product replacement warranty.



Kenyon International
P.O. Box 925, Clinton, CT 06413

Tel: 860.664.4906

Fax: 860.664.4907

kenyonappliances.com



Kenyon Custom logo, Life-Touch, KISS and all related materials are trademarks of Kenyon International, Inc. ©2009 Kenyon International, Inc. All rights Reserved. Specifications subject to change without notice. UL is a registered trademark of Underwriters Laboratory Inc. Printed in the U.S.A. 4-2009