



Colonial Coffee Table

Installation Instructions

Steps for assembling colonial fire pit table:

1. Remove base and top from packaging.
2. Lower top onto base and ensure it is centered and in the desired orientation. Silicon or construction adhesive can be used to secure top to base.
3. Lower crystal fire burner into cut-out in center of top.
(See Crystal Fire manual for full detailed instructions regarding burner)

Because this product is constructed with a fiberglass base, a grounding wire must be attached to your igniter to ground it and ensure consistent, even sparking. Follow the steps below to attach the included grounding wire to the igniter supplied with your crystal fire.

Step 1:

Unscrew cap and plastic nut from igniter.

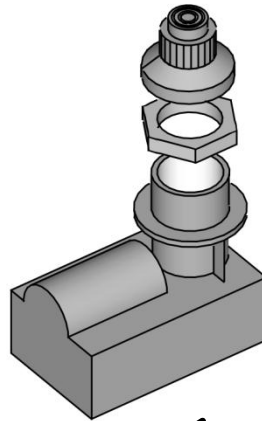
Step 2:

Slide looped end of grounding wire over threaded neck of igniter.

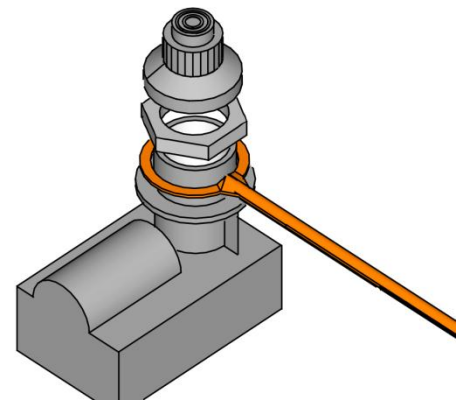
Step 3: From inside of table base, insert threaded neck of igniter through hole directly below control valve. If you haven't already done so, insert one AAA battery (not included) with positive (+) side up). Replace plastic nut and igniter cap.

Step 4:

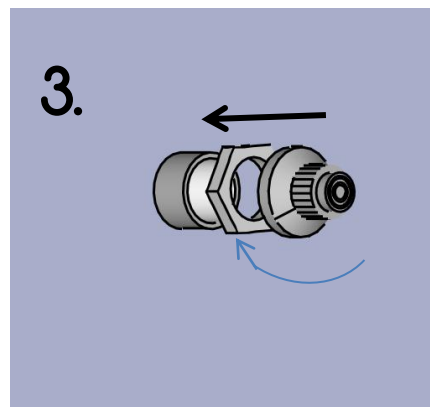
The underside of your Crystal Fire burner includes two bolts, one on either side of the flattened center area, which protrude from the burner bowl. Loosen one nut on the underside of the crystal fire bowl. With free end of grounding wire, loop around exposed bolt once or twice and twist free end tightly. Re-tighten nut to complete installation.



1.

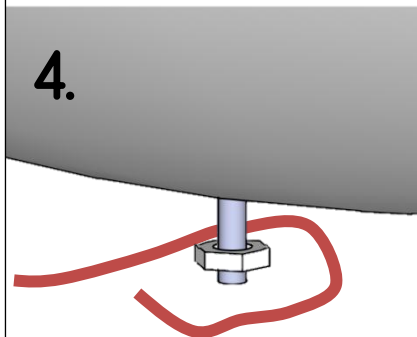
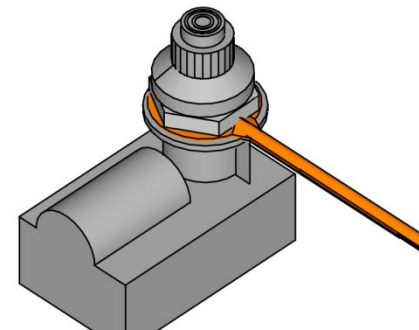


2.



3.

Completed assembly
(table base not shown)



4.

