

INSTALLER: LEAVE THIS MANUAL WITH THE APPLIANCE.  
CONSUMER: RETAIN THIS MANUAL FOR FUTURE REFERENCE.  
NEVER LEAVE CHILDREN OR OTHER AT RISK INDIVIDUALS ALONE WITH THE APPLIANCE.

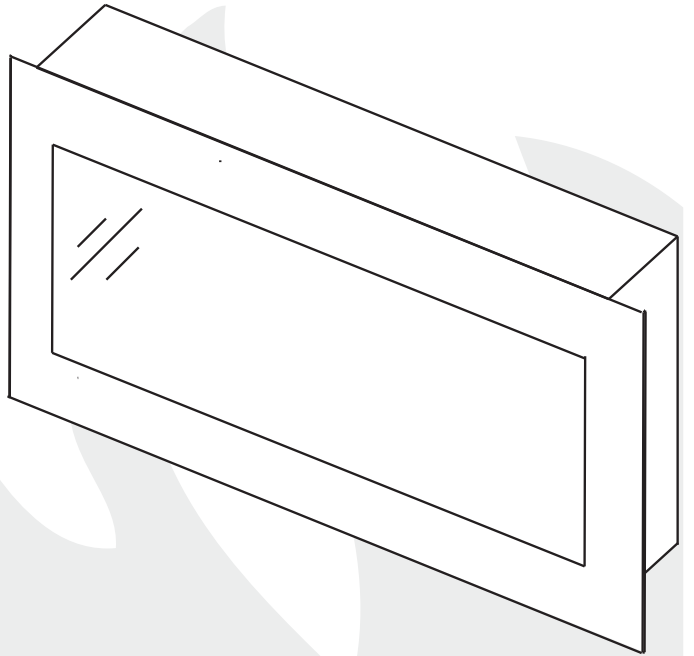


# INSTALLATION AND OPERATING INSTRUCTIONS

CERTIFIED UNDER CANADIAN AND AMERICAN NATIONAL STANDARDS: CSA C22.2 No.46 / UL 1278

## EFL48

### ELECTRIC FIREPLACE



CERTIFIED FOR CANADA AND UNITED STATES USING ANSI/CSA METHODS.

#### SAFETY INFORMATION

**! WARNING**

If the information in these instructions are not followed exactly, a fire or explosion may result causing property damage, personal injury or loss of life.

- Do not store or use gasoline or other flammable vapors and liquids in the vicinity of this or any other appliance.



## WARNING



**HOT GLASS WILL CAUSE BURNS.**

**DO NOT TOUCH GLASS UNTIL COOLED.**

**NEVER ALLOW CHILDREN TO TOUCH GLASS.**



APPLY SERIAL NUMBER LABEL FROM CARTON



Serial No. XXXXX00000  
MODEL NO.

Wolf Steel Ltd., 24 Napoleon Rd., Barrie, ON, L4M 0G8 Canada /  
103 Miller Drive, Crittenden, Kentucky, USA, 41030

Phone (705)721-1212 • Fax (705)722-6031 • [www.napoleonfireplaces.com](http://www.napoleonfireplaces.com) • [ask@napoleonproducts.com](mailto:ask@napoleonproducts.com)

\$10.00

1.16B

\$10.00

# TABLE OF CONTENTS

<b>1.0</b>	<b>INTRODUCTION</b>	<b>3</b>
1.1	DIMENSIONS	4
1.2	LISTING APPROVALS	4
1.3	GENERAL INSTRUCTIONS	5
<b>2.0</b>	<b>LOCATING APPLIANCE</b>	<b>6</b>
2.1	UNPACKING AND TESTING APPLIANCE	6
2.2	GROUNDING APPLIANCE	6
<b>3.0</b>	<b>INSTALLATION</b>	<b>7</b>
3.1	MINIMUM CLEARANCE TO COMBUSTIBLES	7
3.2	MINIMUM MANTEL CLEARANCES	7
3.3	INSTALLING THE APPLIANCE	8
<b>4.0</b>	<b>FINISHING</b>	<b>9</b>
4.1	MEDIA INSTALLATION	9
4.2	GLASS FRONT INSTALLATION	9
<b>5.0</b>	<b>OPERATING INSTRUCTIONS</b>	<b>10</b>
5.1	MAIN POWER SWITCH	10
5.2	OPERATING BY CONTROL PANEL	10
5.3	OPERATING BY REMOTE CONTROL	11
<b>6.0</b>	<b>MAINTENANCE</b>	<b>12</b>
6.1	REPLACING THE LAMP	12
<b>7.0</b>	<b>WIRING DIAGRAM</b>	<b>13</b>
<b>8.0</b>	<b>REPLACEMENT PARTS</b>	<b>14</b>
<b>9.0</b>	<b>TROUBLE SHOOTING</b>	<b>15</b>
<b>10.0</b>	<b>WARRANTY</b>	<b>16</b>
<b>11.0</b>	<b>SERVICE HISTORY</b>	<b>17</b>

**NOTE: Changes, other than editorial, are denoted by a vertical line in the margin.**

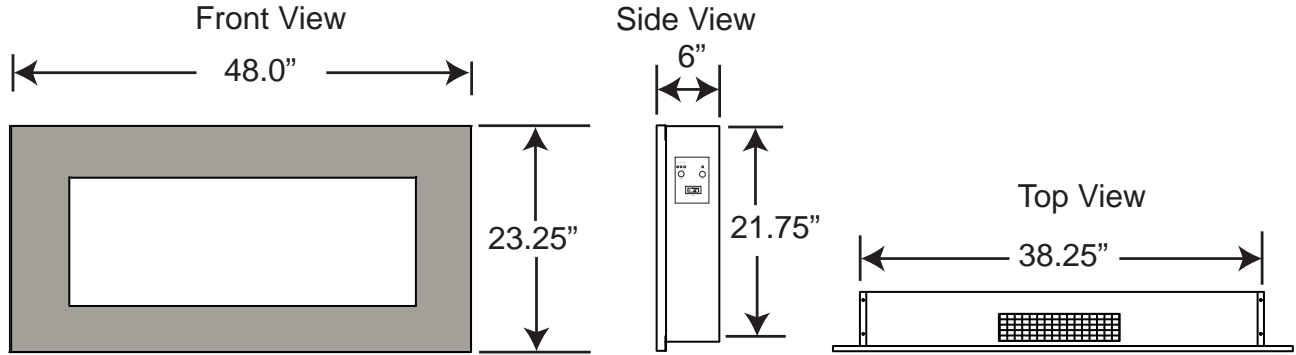
# 1.0 INTRODUCTION

## WARNING

- **THIS APPLIANCE IS HOT WHEN OPERATED AND CAN CAUSE SEVERE BURNS IF CONTACTED.**
- Do not operate appliance before reading and understanding operating instructions. Failure to operate appliance according to operating instructions could cause fire or injury.
- Risk of burns. Power to the appliance should be turned off and the appliance allowed to cool before servicing. To disconnect power to the appliance, turn controls to off, then remove plug from outlet.
- Do not install damaged, incomplete or substitute components.
- Do not burn wood or other materials in this appliance.
- Young children should be carefully supervised when they are in the same room as the appliance. Toddlers, young children and others may be susceptible to accidental contact burns. A physical barrier is recommended if there are at risk individuals in the house. To restrict access to an appliance or stove, install an adjustable safety gate to keep toddlers, young children and other at risk individuals out of the room and away from hot surfaces.
- Clothing or other flammable material should not be placed on or near the appliance.
- Due to high temperatures, the appliance should be located out of traffic and away from furniture and draperies.
- Ensure you have incorporated adequate safety measure to protect infants/toddlers from touching hot surfaces.
- Even after the appliance is out, the glass and/or screen will remain hot for an extended period of time.
- Check with your local hearth specialty dealer for safety screens and hearth guards to protect children from hot surfaces. These screens and guards must be fastened to the floor.
- Any safety screen or guard removed for servicing must be replaced prior to operating the appliance.
- It is imperative that the control compartments, circulating blower and its passageway in the appliance and are kept clean. The appliance should be inspected before use and at least annually by a qualified service person. More frequent cleaning may be required due to excessive lint from carpeting, bedding material, etc. The appliance area must be kept clear and free from combustible materials, gasoline and other flammable vapors and liquids.
- Under no circumstances should this appliance be modified.
- Do not use this appliance if any part has been under water. Immediately call a qualified service technician to inspect the appliance and to replace any part of the control system which has been under water.
- Do not operate the appliance with the glass door removed, cracked or broken. Replacement of the glass should be done by a licensed or qualified service person.
- Do not strike or slam shut the appliance glass door.
- Keep the packaging material out of reach of children and dispose of the material in a safe manner. As with all plastic bags, these are not toys and should be kept away from children and infants.
- Servicing should be done only while the appliance is disconnected from the power supply circuit.
- Always unplug appliance when not in use.
- Do not operate this appliance with a damaged cord or plug after the appliance malfunctions, has been dropped or damaged in any manner. Return appliance to authorized service facility for examination, electrical or mechanical adjustment, or repair.
- Do not use outdoors.
- Never locate appliance where it may fall into a bathtub or other water container.
- Do not run cord under carpeting. Do not cover cord with throw rugs, runners, or the like. Arrange cord away from traffic area and where it will not be tripped over.
- Connect to properly grounded outlets only.
- Do not insert or allow foreign objects to enter any ventilation or exhaust opening as this may cause an electric shock or fire, or damage the appliance.
- To prevent a possible fire, do not block air intakes or exhaust in any manner. Do not use on soft surfaces, like a carpet, where openings may become blocked.
- Always plug appliances directly into a wall outlet/receptacle. Never use an extension cord or relocatable power tap (outlet/power strip).
- Ensure clearances to combustibles are maintained when building a mantel or shelves above the appliance. Elevated temperatures on the wall or in the air above the appliance can cause melting, discolouration or damage to decorations, a T.V. or other electronic components.

3.7C

## 1.1 DIMENSIONS



## 1.2 LISTING APPROVALS

This appliance has been tested in accordance with the CSA and UL Standards for fixed and location-dedicated electric room appliances in the United States and Canada. If you need assistance during installation, please contact your local dealer.

**NOTE:** This appliance must be electrically wired and grounded in accordance with local codes. In the absence of local codes, use the current CSA C22.1 Canadian Electrical Code in Canada or the ANSI/NFPA 70 National Electrical Code in the United States.

<b>Model Number</b>	EFL48
<b>Description</b>	Wall-Mount Appliance
<b>Voltage</b>	120V AC / 60HZ
<b>Watts</b>	MAX 1500W
<b>Amps</b>	15 AMP Grounded Circuit
<b>Appliance Width</b>	48.0"
<b>Appliance Height</b>	21.75"
<b>Appliance Depth</b>	6.5"
<b>Gross Weight</b>	56 lbs

## 1.3 GENERAL INSTRUCTIONS

<b>! WARNING</b>
<b>READ THESE INSTRUCTIONS COMPLETELY BEFORE BEGINNING INSTALLATION. FAILURE TO FOLLOW THEM COULD CAUSE AN APPLIANCE MALFUNCTION RESULTING IN SERIOUS INJURY AND/OR PROPERTY DAMAGE.</b>
<b>ALL ELECTRIC APPLIANCES HAVE HOT AND ARCING OR SPARKING PARTS INSIDE. DO NOT USE IT IN AREAS WHERE GASOLINE, PAINT OR FLAMMABLE LIQUIDS ARE PRESENT.</b>
<b>THIS ELECTRIC APPLIANCE IS TESTED AND LISTED FOR USE ONLY WITH THE OPTIONAL ACCESSORIES LISTED IN THESE INSTRUCTIONS. USE OF OPTIONAL ACCESSORIES NOT SPECIFICALLY TESTED FOR THIS ELECTRIC APPLIANCE COULD VOID THE WARRANTY AND/OR RESULT IN A SAFETY HAZARD.</b>
<b>DO NOT OPEN. RISK OF ELECTRIC SHOCK. NO USER-SERVICEABLE PARTS INSIDE.</b>
<b>DO NOT USE DAMAGED ELECTRICAL CORDS.</b>
<b>SERVICING SHOULD BE DONE ONLY WHILE THE APPLIANCE IS DISCONNECTED FROM THE POWER SUPPLY CIRCUIT.</b>
<b>HIGH TEMPERATURE, RISK OF FIRE. KEEP ELECTRICAL CORDS, DRAPERY, FURNISHINGS, AND OTHER COMBUSTIBLES AT LEAST 3 FEET (0.9M) FROM THE FRONT OF THE APPLIANCE AND AWAY FROM SIDES AND REAR.</b>
<b>TO PREVENT ELECTRIC SHOCK MATCH THE WIDE BLADE OF PLUG TO WIDE SLOT OF RECEPTACLE AND FULLY INSERT.</b>

- A. Prior to plugging your appliance into an electrical outlet, verify that the house circuit breakers for the outlet are on.
- B. The appliance may emit a slight, harmless odour when first used. This odour is normal and it is caused by the initial heating of internal appliance elements and will not occur again.
- C. If your appliance does not emit heat, consult the operation section of this manual for further information.
- D. Use with a CSA or UL certified surge protector.

This electric appliance meets the construction and safety standards of H.U.D. for application in manufactured homes when installed according to these instructions.

## 2.0 LOCATING APPLIANCE

<b>! WARNING</b>
<b>DUE TO HIGH TEMPERATURES, THIS ELECTRIC APPLIANCE SHOULD BE LOCATED OUT OF TRAFFIC. KEEP COMBUSTIBLE MATERIALS SUCH AS FURNITURE, PILLOWS, BEDDING, PAPERS, CLOTHES AND CURTAINS AT LEAST 36" FROM THE FRONT OF THE APPLIANCE.</b>
<b>NEVER LOCATE THIS ELECTRIC APPLIANCE WHERE IT MAY FALL INTO A BATHTUB OR OTHER WATER CONTAINER.</b>
<b>WEAR SAFETY GLOVES AND SAFETY GLASSES FOR PROTECTION DURING INSTALLATION AND MAINTENANCE.</b>
<b>TO PREVENT CONTACT WITH SAGGING OR LOOSE INSULATION, THE ELECTRIC APPLIANCE MUST NOT BE INSTALLED AGAINST VAPOR BARRIER OR EXPOSED INSULATION. LOCALIZED OVERHEATING COULD OCCUR AND A FIRE COULD RESULT.</b>
<b>DO NOT EXPOSE THE ELECTRIC APPLIANCE TO THE ELEMENTS (SUCH AS RAIN, ETC.)</b>

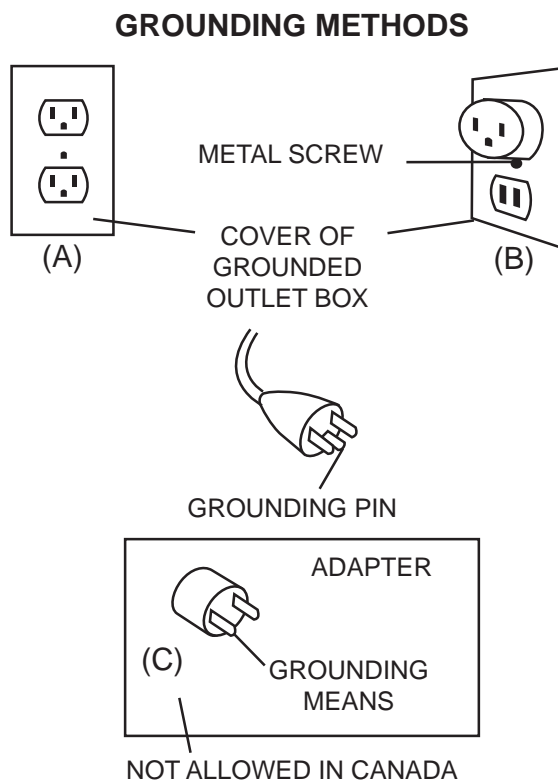
### 2.1 UNPACKING AND TESTING APPLIANCE

Carefully remove the appliance from the box. Prior to installing the appliance, test to make sure the appliance operates properly by plugging the power supply cord into a conveniently located 120 Volt grounded outlet.

### 2.2 GROUNDING APPLIANCE

This appliance is for use on 120 Volts. The cord has a plug as shown in (A). An adapter as shown in (C) is available for connecting three-blade grounding type plugs to two-slot receptacles. The green grounding lug extending from the adapter must be connected to a permanent ground such as a properly grounded outlet box. The adapter should not be used if a three-slot grounded receptacle is available.

To disconnect appliance, turn controls to off, then remove plug from outlet.



## 3.0 INSTALLATION

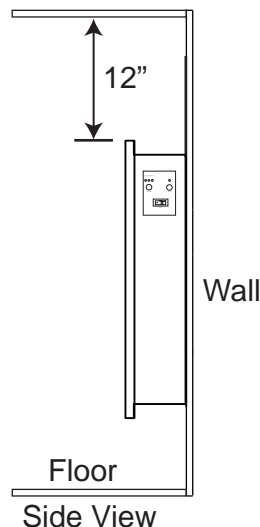
<b>! WARNING</b>	
<b>RISK OF FIRE! THE POWER CORD MUST NOT BE PINCHED AGAINST A SHARP EDGE. SECURE CORD TO AVOID TRIPPING OR SNAGGING TO REDUCE THE RISK OF FIRE, ELECTRIC SHOCK OR PERSONAL INJURY. DO NOT RUN CORD UNDER CARPETING. DO NOT COVER CORD WITH THROW RUGS, RUNNERS OR THE LIKE. ARRANGE CORD AWAY FROM TRAFFIC AREAS AND WHERE IT WILL NOT BE TRIPPED OVER.</b>	
<b>RISK OF FIRE! TO PREVENT A POSSIBLE FIRE, DO NOT BLOCK AIR INTAKE OR EXHAUST IN ANY MANNER. DO NOT USE ON SOFT SURFACES WHERE OPENINGS MAY BECOME BLOCKED.</b>	
<b>RISK OF FIRE! DO NOT BLOW OR PLACE INSULATION AGAINST THE APPLIANCE.</b>	
<b>THIS ELECTRIC APPLIANCE IS TESTED AND LISTED FOR USE ONLY WITH THE APPROVED OPTIONAL ACCESSORIES. USE OF OPTIONAL ACCESSORIES NOT SPECIFICALLY TESTED FOR THIS ELECTRIC APPLIANCE COULD VOID THE WARRANTY AND/OR RESULT IN A SAFETY HAZARD.</b>	
<b>IF THE INFORMATION IN THESE INSTRUCTIONS IS NOT FOLLOWED EXACTLY, A FIRE OR EXPLOSION MAY RESULT CAUSING PROPERTY DAMAGE, PERSONAL INJURY OR DEATH. DO NOT STORE OR USE GASOLINE OR OTHER FLAMMABLE VAPORS IN THE VICINITY OF THIS OR ANY OTHER APPLIANCE.</b>	
<b>THIS APPLIANCE IS HEAVY. IT IS HIGHLY RECOMMENDED THAT TWO PEOPLE INSTALL THIS APPLIANCE.</b>	
<b>HEATER VENTS ON THE ELECTRIC APPLIANCE CANNOT, IN ANY WAY, BE COVERED AS IT MAY CREATE A FIRE HAZARD.</b>	

### 3.1 MINIMUM CLEARANCE TO COMBUSTIBLES

Measurements are taken from the glass front.			
<b>Bottom</b>	<b>2"</b>	<b>Back</b>	<b>0"</b>
<b>Sides</b>	<b>12"</b>	<b>Top</b>	<b>12" to ceiling</b>

### 3.2 MINIMUM MANTEL CLEARANCES

<b>! WARNING</b>	
<b>WHEN USING PAINT OR LACQUER TO FINISH THE MANTEL, THE PAINT OR LACQUER MUST BE HEAT RESISTANT TO PREVENT DISCOLOURATION.</b>	
<b>INSTALL THE BOTTOM OF THE HEATER NO LESS THAN 2 INCHES ABOVE THE FINISHED FLOOR.</b>	

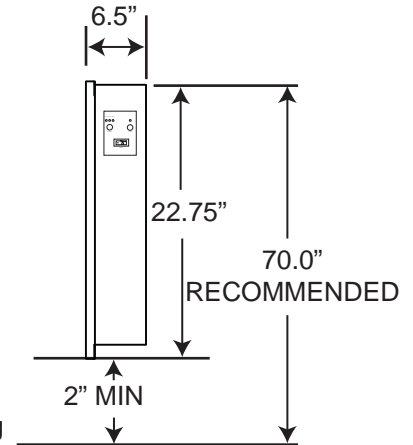


### 3.3 INSTALLING THE APPLIANCE

Due to the many different finish materials used on walls, it is highly recommended that you consult your local builder before you install this appliance on the wall.

- A. Select a location that is not prone to moisture and is located at least 36" away from combustible materials such as curtain drapes, furniture, bedding, paper, etc.
- B. Have two people hold the appliance against the wall to determine the final location.
- C. Using the template, mark the center of the hole for both mounting brackets on the finish wall. The distance between the two brackets should be 35.375"
- D. Install the anchors and screws supplied. Do not tighten the screws completely as the head of the screw must engage with the mounting bracket. **NOTE: It is strongly recommended that the screws be screwed into the wall studs where possible. If the wall studs cannot be used, ensure that the supplied plastic anchors are used.**
- E. With the screws installed have two people lift the appliance up and insert the screws into the keyholes on the back of the appliance.
- F. Check the appliance for stability ensuring that the appliance will not pull free from the wall.

Side View





## 4.0 FINISHING

### **! WARNING**

**POWER SUPPLY SERVICE MUST BE COMPLETED PRIOR TO FINISHING TO AVOID RECONSTRUCTION.**

**HEAT VENTS AND AIR OPENINGS CANNOT BE COVERED IN ANY CIRCUMSTANCES.**

### 4.1 MEDIA INSTALLATION

- A. CLEANING THE MEDIA:** The media may have a fine white dust that needs to be cleaned prior to installation. Clean the media with mild dish soap, drain, rinse thoroughly and dry before placing into the tray.
- B.** Carefully place media into the bottom tray on the front of the appliance as illustrated.

Note: It is not necessary to use all the media supplied.



### 4.2 GLASS FRONT INSTALLATION

It is recommended that two people install this glass front onto the appliance. Wear safety glasses and gloves when handling glass.

- A.** Line up the brackets on the back of the glass with the 4 shoulder screws on the side of the appliance body.
- B.** Hang the glass front.



## 5.0 OPERATING INSTRUCTIONS

Once the appliance has been plugged in to a grounded electrical outlet, it is ready to operate.

**NOTE:** Ensure the house circuit breakers for the power supply are turned on. In the event of a power failure, both the flame and function will remain turned off when the power is restored.

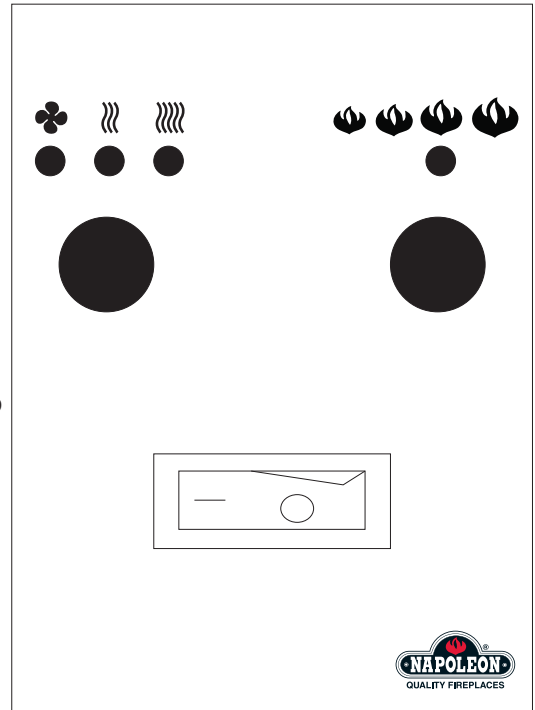
### 5.1 MAIN POWER SWITCH

The main power switch is located on the top right hand side of the appliance.

The "I" indicates ON and "O" indicates OFF. Push the switch to "I" to turn on the appliance.








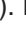
### 5.2 OPERATING BY CONTROL PANEL

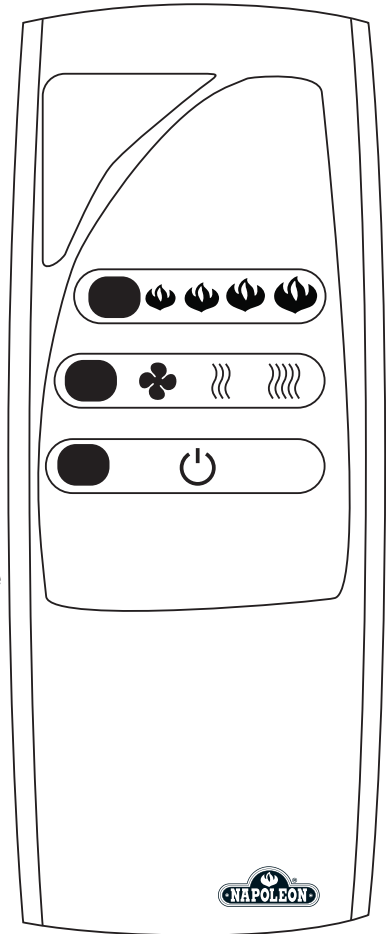
- A. Make certain the appliance's main power switch is at the ON position.
- B. To activate the heater, press the function button. Press and release the function button to cycle through the settings:
  - Press the function button once to turn on the fan only.
  - Twice to turn on the fan and the 750W heater.
  - Three times to turn on the fan and the 1500W heater.
  - Four times to turn both the fan and heater off.
- C. To adjust the flame height and ember bed brightness, press the flame button. There are four brightness levels to cycle through and an off setting.
- D. To turn off the appliance, switch the main power switch to OFF.



### 5.3 OPERATING BY REMOTE CONTROL

**NOTE: Make certain the batteries are installed correctly and are new.**

- A. Make certain the appliance's main power switch is at the ON position. The remote control will NOT work if the Main Power Switch is at the OFF position.
- B. When operating the remote control, it must be directed towards the front center of the appliance.
- C. The power button can be used to power up or down the appliance (the main power switch on the appliance must be in the ON position for the remote to operate). Pressing this button  activates the power to the appliance.
- D. To activate the heater, press the function button.       Press and release the function button to cycle through the settings:
- Press the function button once to turn on the fan only.
  - Twice to turn on the fan and the 750W heater.
  - Three times to turn on the fan and the 1500W heater.
  - Four times to turn both the fan and heater off.
- E. To adjust the flame height and ember bed brightness, press the flame button.  There are four brightness levels to cycle through and an off setting.
- F. To turn off the appliance, press the power button once. **NOTE: This remote control must remain within 8 meters or 26 feet of the appliance to be effective.**



## 6.0 MAINTENANCE

### **! WARNING**

#### PREPARATION FOR MAINTENANCE

**ALWAYS DISCONNECT THE POWER AND ALLOW THE ELECTRIC APPLIANCE TO COOL BEFORE PERFORMING ANY CLEANING, MAINTENANCE OR RELOCATION OF THIS ELECTRIC APPLIANCE. TURN CONTROLS TO OFF AND REMOVE PLUG FROM OUTLET OR TURN OFF THE HOUSE CIRCUIT BREAKER TO ELECTRIC APPLIANCE RECEPTACLE.**

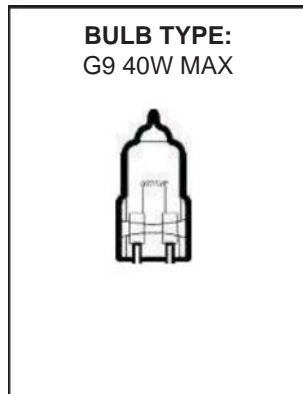
**DO NOT INSTALL REPLACEMENT LAMPS THAT EXCEED SPECIFIED MAXIMUM WATTS.**

**THE HALOGEN LAMPS IN YOUR APPLIANCE CAN BECOME EXTREMELY HOT. ALLOW AT LEAST 10 MINUTES BETWEEN TURNING OFF THE APPLIANCE AND REMOVING THE LAMPS TO AVOID ACCIDENTAL BURNS.**

**DO NOT HANDLE THE LAMP WITH BARE FINGERS, OILS FROM YOUR SKIN WILL DAMAGE THE LAMPS WHEN THEY HEAT UP. USE GLOVES OR A CLEAN DRY CLOTH WHEN HANDLING LAMPS.**

Turn off electric appliance or the house circuit breaker to the appliance before performing any cleaning and/or maintenance. Allow electric appliance to cool completely.

Most halogen lamps are rated to last approximately 1800 hours. Like all lamps, halogen lamps require periodic replacement.



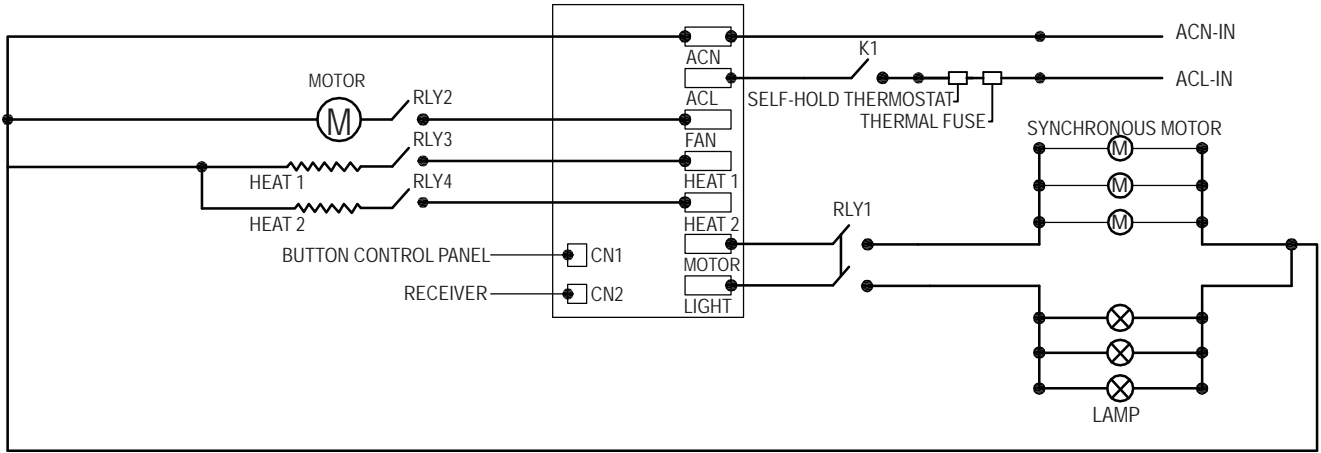
### 6.1 REPLACING THE LAMP

- A. Remove the glass front.
- B. Unscrew the access cover by removing two screws.
- C. Remove the lamp and replace with the new one.
- D. Re-install the cover.



# 7.0 WIRING DIAGRAM

**! WARNING**  
ENSURE ALL POWER IS TURNED OFF BEFORE HARD WIRING THIS APPLIANCE.



## 8.0 REPLACEMENT PARTS

Contact your dealer or the factory for questions concerning prices and policies on replacement parts. Normally all parts can be ordered through your Authorized dealer / distributor.

**FOR WARRANTY REPLACEMENT PARTS, A PHOTOCOPY OF THE ORIGINAL INVOICE WILL BE REQUIRED TO HONOUR THE CLAIM.**

When ordering replacement parts always give the following information:

- Model & Serial Number of appliance
- Installation date of appliance
- Part number
- Description of part
- Finish

**\* IDENTIFIES ITEMS WHICH ARE NOT ILLUSTRATED. FOR FURTHER INFORMATION, CONTACT YOUR AUTHORIZED DEALER.**

For aftermarket sales and service please call 1-866-592-6667

### **! WARNING**

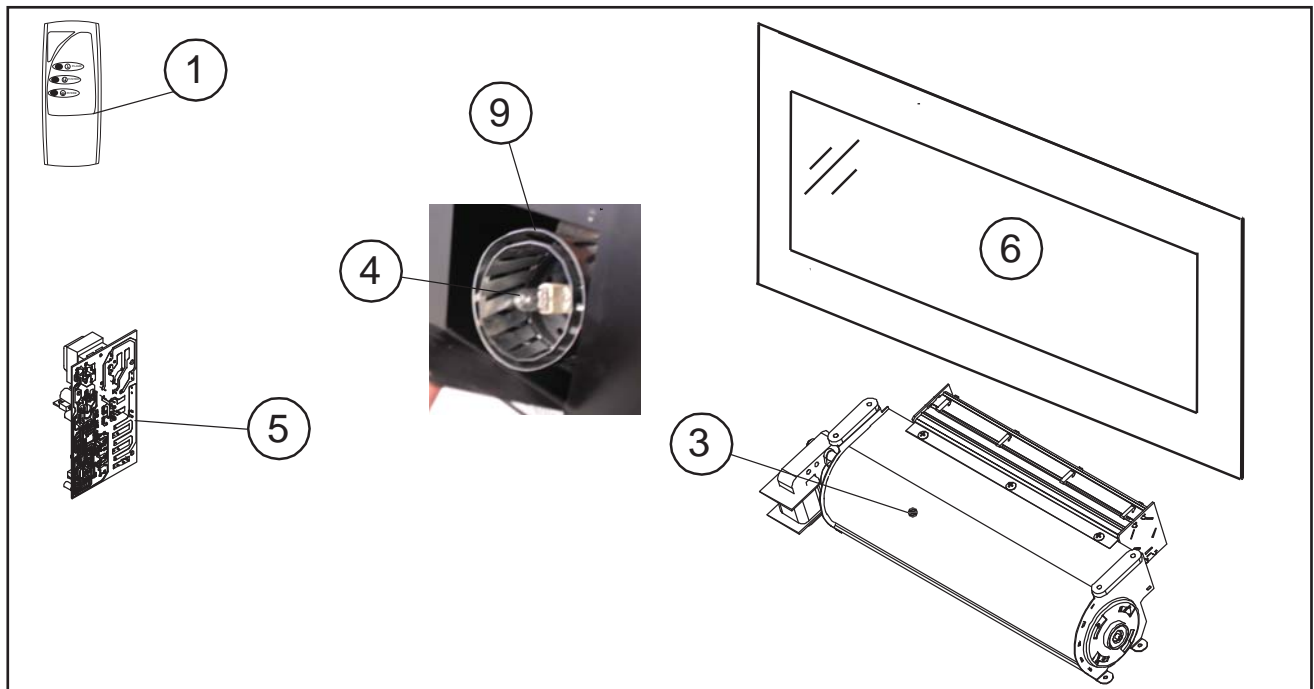
**FAILURE TO POSITION THE PARTS IN ACCORDANCE WITH THIS MANUAL OR FAILURE TO USE ONLY PARTS SPECIFICALLY APPROVED WITH THIS APPLIANCE MAY RESULT IN PROPERTY DAMAGE OR PERSONAL INJURY.**

41.1

### COMPONENTS

REF NO.	PART NO.	DESCRIPTION
1	W660-0107	REMOTE CONTROL TRANSMITTER
2*	W660-0108	REMOTE RECEIVER
3	W062-0040	BLOWER C/W HEATER
4	W387-0014	LAMP
5	W190-0038	CONTROL
6	W300-0141	FRONT GLASS
7*	W435-0046	FAN MOTOR
8*	W435-0047	DRUM MOTOR
9	W010-2433	DRUM
10*	W550-0010	ROCK MEDIA

**NOTE:** Care must be taken when removing and disposing of any broken glass or damaged components. Be sure to vacuum up any broken glass from inside the appliance before operation.



## 9.0 TROUBLE SHOOTING

### WARNING

**TURN OFF THE APPLIANCE COMPLETELY AND LET COOL BEFORE SERVICING. ONLY A QUALIFIED SERVICE PERSON SHOULD SERVICE AND REPAIR THIS ELECTRIC APPLIANCE.**

SYMPTOM	PROBLEM	TEST SOLUTION
Dim or no flame	Bulb(s) are burnt out	Inspect the bulbs inside the flame generation cylinder drum and replace them if necessary
Ember bed is not glowing or dimming	Bulb(s) are burnt out	Inspect the ember bed bulbs and replace them if necessary
Appliance turns off and will not turn on	Appliance has overheated and safety device has caused the thermal switch to disconnect	Unplug the appliance, allow appliance to cool for 15 minutes, then plug it back in
	House circuit breaker has tripped	Reset house circuit breaker
Appliance will not come on when switch is flipped to ON	Appliance is not plugged into an electrical outlet	Check plug and plug it in
	Appliance has overheated and safety device has caused the thermal switch to disconnect	Unplug the appliance, allow appliance to cool for 15 minutes, then plug it back in
Remote control does not work	Low batteries	Replace batteries in remote control

42.17

# 10.0 WARRANTY

NAPOLEON® electric appliances are manufactured under the strict Standard of the world recognized ISO 9001 : 2008 Quality Assurance Certificate.

NAPOLEON® products are designed with superior components and materials, assembled by trained craftsmen who take great pride in their work. Once assembled the complete appliance is thoroughly inspected by a qualified technician before packing to ensure that you , the customer, receive the quality product that you expect from NAPOLEON®.

## NAPOLEON® ELECTRIC APPLIANCE LIMITED WARRANTY

Electrical components and wearable parts such as fan/heater, motors, switches, nylon bearing components and remote controls are covered and NAPOLEON® will provide replacement parts free of charge during the first year of limited warranty. Light bulbs and fuses are NOT covered by the warranty.

Any labour related to warranty repair is not covered.

\* Construction of models vary. Warranty applies only to components included with your specific appliance.

## CONDITIONS AND LIMITATIONS

NAPOLEON® warrants its products against manufacturing defects to the original purchaser only. Registering your warranty is not necessary. Simply provide your proof of purchase along with the model and serial number to make a warranty claim. NAPOLEON® reserves the right to have its representative inspect any product or part thereof prior to honouring any warranty claim. Provided that the purchase was made through an authorized NAPOLEON® dealer your appliance is subject to the following conditions and limitations:

Warranty coverage begins on the date of original installation.

This factory warranty is non-transferable and may not be extended whatsoever by any of our representatives.

Installation must be done in accordance with the installation instructions included with the product and all local and national building and fire codes.

This limited warranty does not cover damages caused by misuse, lack of maintenance, accident, alterations, abuse or neglect and parts installed from other manufacturers will nullify this warranty.

This limited warranty further does not cover any scratches, dents, corrosion or discoloring caused by excessive heat, abrasive and chemical cleaners nor chipping on porcelain enamel parts, mechanical breakage of PHAZER™ logs.

In the first year only, this warranty extends to the repair or replacement of warranted parts which are defective in material or workmanship provided that the product has been operated in accordance with the operation instructions and under normal conditions.

NAPOLEON® will not be responsible for installation, labour or any other expenses related to the reinstallation of a warranted part and such expenses are not covered by this warranty. Notwithstanding any provisions contained in the Limited Warranty, NAPOLEON's responsibility under this warranty is defined as above and it shall not in any event extend to any incidental, consequential or indirect damages.

This warranty defines the obligations and liability of NAPOLEON® with respect to the NAPOLEON® electric appliance and any other warranties expressed or implied with respect to this product, its components or accessories are excluded.

NAPOLEON® neither assumes, nor authorizes any third party to assume, on its behalf, any other liabilities with respect to the sale of this product.

Any damages to appliance, brass trim or other component due to water, weather damage, long periods of dampness, condensation, damaging chemicals or cleaners will not be the responsibility of NAPOLEON®.

The bill of sale or copy will be required together with a serial number and a model number when making any warranty claims from your authorized dealer. The warranty registration card must be returned within fourteen days to register the warranty.

NAPOLEON® reserves the right to have its representative inspect any product or part thereof prior to honouring any warranty claim.

All parts replaced under the Limited Warranty Policy are subject to a single claim.

All parts replaced under the warranty will be covered for a period of 90 days from the date of their installation.

The manufacturer may require that defective parts or products be returned or that digital pictures be provided to support the claim. Returned products are to be shipped prepaid to the manufacturer for investigation. If a product is found to be defective, the manufacturer will repair or replace such defect.

Before shipping your appliance or defective components, your dealer must obtain an authorization number. Any merchandise shipped without authorization will be refused and returned to sender.

Shipping costs are not covered under this warranty.

Additional service fees may apply if you are seeking warranty service from a dealer.

ALL SPECIFICATIONS AND DESIGNS ARE SUBJECT TO CHANGE WITHOUT PRIOR NOTICE DUE TO ON-GOING PRODUCT IMPROVEMENTS.  
NAPOLEON® IS A REGISTERED TRADEMARK OF WOLF STEEL LTD.





















TOUTES LES SPÉCIFICATIONS ET LES CONCEPTIONS SONT SUJETTES À MODIFICATIONS SANS PRÉAVIS EN RAISON DES AMÉLIORATIONS CONSTANTES APPORTÉES AUX PRODUITS. NAPOLÉON® EST UNE MARQUE DE COMMERCE DÉPOSÉE DE WOLF STEEL LTÉE.

NAPOLÉON® garantit ses produits contre les défauts de fabrication à l'acheteur d'origine seulement. L'enregistrement de la garantie n'est pas nécessaire. Fournissez simplement une preuve d'achat ainsi que le modèle et le numéro de série afin d'effectuer une réclamation de garantie. Napoléon® se réserve le droit de demander à son représentant d'inspecter tous produits ou pièces avant d'honorer toute réclamation. L'achat doit avoir été fait par l'entremise d'un détaillant NAPOLÉON® autorisé et sous réserve des conditions et limitations suivantes :

La couverture de la garantie débute à partir de la date d'installation originale. Cette garantie du fabricant n'est pas transférable et ne peut être prolongée ou étendue par aucun de nos représentants quelle qu'en soit la raison.

L'installation doit être faite conformément aux instructions d'installation incluses avec le produit et à tous les codes d'incendie et de construction locaux et nationaux.

Cette garantie limitée ne couvre pas les dommages causés par un mauvais usage, un manque d'entretien, un accident, des altérations, des abus ou de la négligence, et l'installation de pièces d'autres fabricants annulera cette garantie.

Cette garantie limitée ne couvre pas non plus les égratignures, les bossellements, la corrosion ou la décoloration causée par une chaleur excessive, des produits d'entretien chimiques et abrasifs ou l'écaillage de pièces en porcelaine émaillée, le bris par manipulation des bûches Phazer®.

Au cours de la première année seulement, cette garantie s'étend à la réparation ou au remplacement des pièces garanties dont les matériaux ou la fabrication sont défectueux à la condition que le produit ait été utilisé conformément aux instructions de fonctionnement et dans des conditions normales.

NAPOLÉON® ne sera pas responsable de l'installation, de la main-d'œuvre ou autres coûts ou dépenses relatives à la réinstallation d'une pièce garantie, et de telles dépenses ne sont pas couvertes par cette garantie. Nonobstant toutes les dispositions contenues dans cette Garantie Limitée, la responsabilité de NAPOLÉON® sous cette garantie est définie comme ci-dessus et elle ne s'étendra à aucun dommage accidentel, consécutif ou indirect.

Toute garantie définit l'obligation et la responsabilité de NAPOLÉON® en ce qui concerne l'appareil électrique NAPOLÉON®. Toute autre garantie énoncée ou implicite en ce qui concerne ce produit, ses composants ou accessoires est exclue.

NAPOLÉON® n'autorise aucun tiers à assumer en son nom, toutes autres responsabilités concernant la vente de ce produit.

Tous dommages causés à l'appareil, aux garnitures en laiton ou autres composants par l'eau, les dommages causés par les intempéries, de longues périodes d'humidité, la condensation, des produits chimiques ou produits d'entretien nuisibles ne seront pas la responsabilité de NAPOLÉON®.

La facture ou sa copie sera requise ainsi que le numéro de série et le numéro de modèle lors d'une réclamation auprès de votre détaillant autorisé. La carte d'enregistrement de garantie doit être retournée dans les quatorze jours pour enregistrer la garantie. NAPOLÉON® se réserve le droit de demander à son représentant d'inspecter tout produit ou pièce avant d'honorer toute réclamation. Toutes les pièces remplacées en vertu de la politique de Garantie Limitée ne peuvent faire l'objet que d'une seule réclamation. Le fabricant peut exiger que les pièces défectueuses ou les produits soient retournés no que des photos numériques soient fournies pour valider la réclamation. Les produits retournés doivent être expédiés port payé au fabricant pour une inspection en usine. Si un produit est déclaré défectueux, le fabricant le réparera ou le remplacera.

Avant d'expédier votre appareil ou les pièces défectueuses, votre détaillant doit obtenir un numéro d'autorisation. Toute marchandise expédiée à notre usine sans autorisation sera refusée et retournée à l'expéditeur.

Les coûts d'expédition ne sont pas couverts par cette garantie.

Des frais de service supplémentaires peuvent être appliqués si vous cherchez à obtenir des services au titre de la garantie auprès d'un détaillant.

### CONDITIONS ET LIMITATIONS

Les composants électriques et les pièces soumises à l'usure tels que la soufflerie/chauffeferre, les moteurs, les interrupteurs, les roulements à billes en nylon et les télécommandes sont couverts et NAPOLÉON® fournira gratuitement les pièces de rechange durant la première année de la garantie limitée.

Les ampoules et les fusibles NE SONT PAS couverts par la garantie.

Les coûts de main-d'œuvre relatifs aux réparations garanties ne sont pas couverts.

\*La fabrication de chaque modèle varie. La garantie s'applique uniquement aux composants disponibles avec votre appareil.

### GARANTIE LIMITÉE DES APPAREILS ÉLECTRIQUES NAPOLÉON®

Les produits NAPOLÉON® sont conçus avec des composants et des matériaux de qualité supérieure, assemblés par des artisans qualifiés qui sont fiers de leur travail. Une fois assemblée, chaque foyer est soigneusement inspecté par un technicien qualifié avant d'être emballé pour garantir que vous, le client, recevez le produit de qualité dont vous vous attendez de NAPOLÉON®.

Les foyers électriques NAPOLÉON® sont fabriqués conformément aux normes strictes du Certificat d'Assurance de Qualité mondiallement reconnu ISO 9001 : 2008.

# GARANTIE

# 10.0

## 9.0 GUIDE DE DÉPANNAGE

### ⚠ AVERTISSEMENT

**COUPEZ L'ALIMENTATION ÉLECTRIQUE À L'APPAREIL ET LAISSEZ-LE REFRROIDIR AVANT D'EFFECTUER UN ENTRETIEN. SEUL UN TECHNICIEN DE SERVICE QUALIFIÉ PEUT EFFECTUER L'ENTRETIEN OU LA RÉPARATION DE CET APPAREIL ÉLECTRIQUE.**

SYMPTÔME	PROBLÈME	SOLUTIONS
La luminosité du jeu de flammes est faible ou inexistante.	La/les ampoule(s) sont brûlées.	Vérifiez les ampoules à l'intérieur du cylindre de création du jeu de flammes et remplacez-les au besoin.

Le lit de braises ne s'allume pas ou s'éteint rapidement.	La/les ampoule(s) sont brûlées.	Vérifiez les ampoules du lit de braises et remplacez-les au besoin.
---	---------------------------------	---

L'appareil s'éteint et ne se rallume pas.	L'appareil a surchauffé et le dispositif de sécurité a entraîné le déclenchement de l'interrupteur thermique.	Débrancher l'appareil, laissez-le refroidir pendant 15 minutes puis rebranchez-le.
L'appareil n'est pas branché dans une prise de courant.	Le disjoncteur de la maison s'est déclenché.	Réinitialisez le disjoncteur.

L'appareil ne s'allume pas lorsque l'interrupteur est mis à « ON ».	L'appareil a surchauffé et le dispositif de sécurité a entraîné le déclenchement de l'interrupteur thermique.	Débrancher l'appareil, laissez-le refroidir pendant 15 minutes puis rebranchez-le.
La télécommande ne fonctionne pas.	Les piles sont faibles.	Remplacez les piles de la télécommande.

42.17

## 8.0 RECHANGES

Contactez votre détaillant ou le fabricant pour les questions concernant les prix et la disponibilité des pièces de rechange. Normalement, toutes les pièces peuvent être commandées chez votre détaillant autorisé.

**POUR UN REMPLACEMENT DE PIÈCE SOUS GARANTIE, UNE PHOTOCOPIE DE LA FACTURE ORIGINALE SERA REQUISE AFIN DE POUVOIR HONORER LA DEMANDE.**

Lorsque vous commandez des pièces, donnez toujours l'information suivante :

- Modèle et numéro de série de l'appareil
- Date d'installation de l'appareil
- Numéro de la pièce
- Description de la pièce
- Fin!

\* IDENTIFIEZ LES ARTICLES QUI NE SONT PAS ILLUSTRÉS. POUR PLUS D'INFORMATION, CONTACTEZ VOTRE DÉTAILLANT AUTORISÉ.

### AVERTISSEMENT

OMETTRE DE POSITIONNER LES PIÈCES CONFORMÈMENT AU MANUEL OU D'UTILISER UNIQUEMENT DES PIÈCES SPÉCIFIQUEMENT APPROUVÉES POUR CET APPAREIL PEUT CAUSER DES DOMMAGES MATÉRIELS OU DES BLESSURES CORPORELLES.

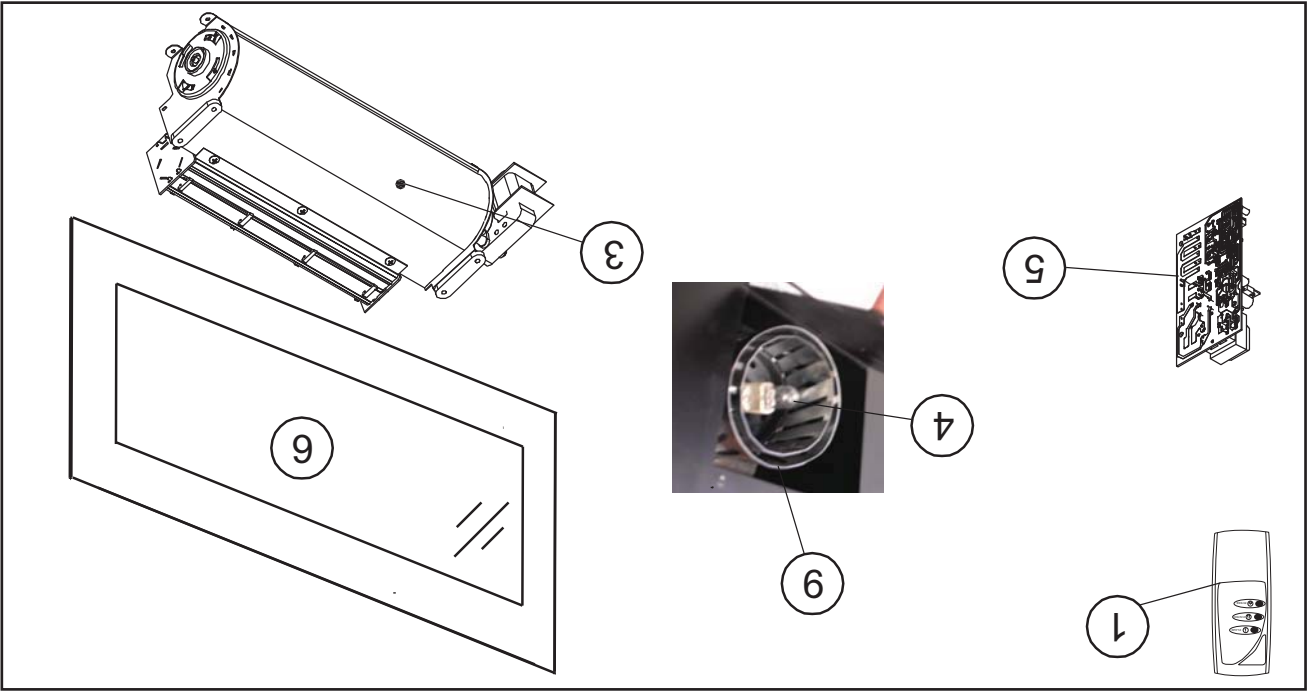
41.1

Pour le service après-vente, veuillez composer le 1-866-592-6667

## COMPOSANTS

N° RÉF.	N° DE PIÈCE	DESCRIPTION
1	W660-0107	TÉLÉCOMMANDE
2*	W660-0108	RÉCEPTEUR DE LA TÉLÉCOMMANDE
3	W062-0040	SOUFFLERIE AVEC CHAUFFERETTE
4	W387-0014	AMPOULE
5	W190-0038	CONTRÔLE
6	W300-0141	FAÇADE VITRÉE
7*	W435-0046	MOTEUR DU VENTILATEUR
8*	W435-0047	MOTEUR DU CYLINDRE
9	W010-2433	CYLINDRE
10*	W550-0010	ROCHES DE RIVIÈRE

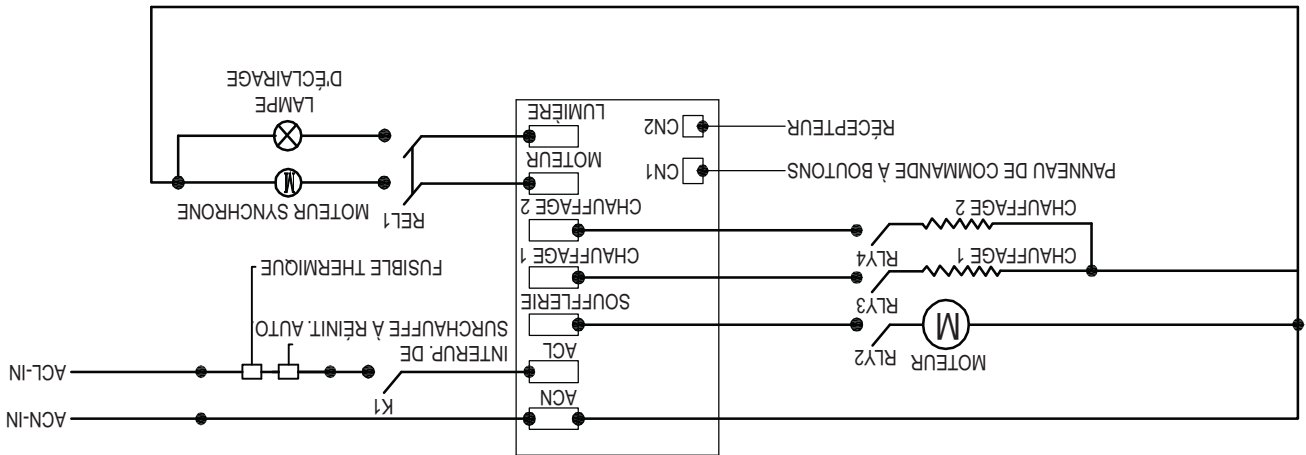
**NOTE :** Utilisez de prudence lorsque vous enlevez et jetez des débris de verre ou des composants endommagés. Assurez-vous d'aspirer tous les débris de verre à l'intérieur de l'appareil avant de le faire fonctionner.



# 7.0 SCHEMA DE CÂBLAGE

## ⚠ AVERTISSEMENT

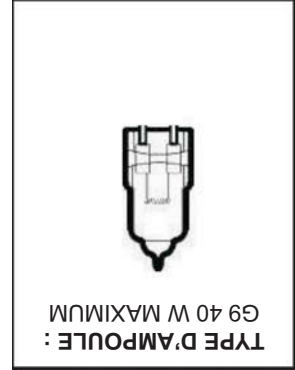
ASSUREZ-VOUS QUE L'ALIMENTATION ÉLECTRIQUE EST COUPÉE AVANT D'EFFECTUER LE BRANCHEMENT PAR CÂBLE DE CET APPAREIL.





1. Retirez la façade vitrée.
2. Dévissez la plaque d'accès en enlevant les deux vis.
3. Retirez l'ampoule et remplacez-la par la nouvelle.
4. Réinstallez la plaque.

## 6.1 REMPLACEMENT DE L'AMPOULE



Éteignez l'appareil électrique ou fermez le disjoncteur du circuit de votre appareil avant d'effectuer un nettoyage ou un entretien. Laissez l'appareil refroidir complètement.




La plupart des ampoules halogènes durent approximativement 1 800 heures. Comme toutes les ampoules, les ampoules halogènes doivent être remplacées périodiquement.

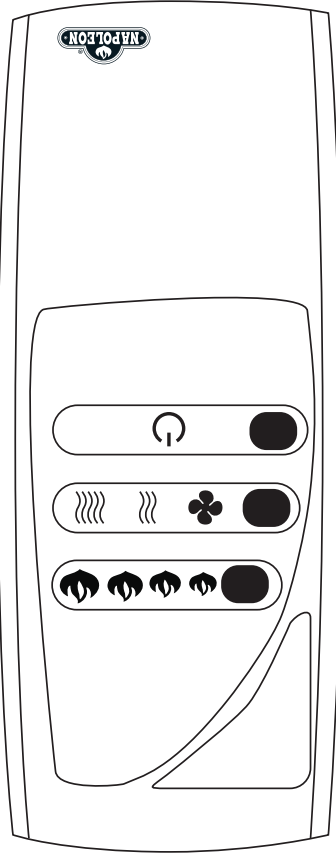
<b>! AVERTISSEMENT</b>
<p>PRÉPARATION POUR L'ENTRETIEN                  DÉBRANCHEZ TOUJOURS L'ALIMENTATION ÉLECTRIQUE ET LAISSEZ L'APPAREIL REFFROIDIR                  AVANT DE LE NETTOYER, DE PROCÉDER À SON ENTRETIEN OU DE LE RELOCALISER. TOURNEZ                  LES CONTRÔLES À « OFF » ET RETIREZ LA FICHE DE LA PRISE DE COURANT OU FERMEZ LE                  DISJONCTEUR DU CIRCUIT DE VOTRE APPAREIL.</p>
<p>NE PAS INSTALLER D'AMPOULES DE RECHANGE QUI EXCÈDENT LA PUISSANCE (WATTS)                  MAXIMALE SPÉCIFIÉE.</p>
<p>LES AMPOULES HALOGENES DE VOTRE APPAREIL DEVIENNENT TRÈS CHAUDES LORS DE                  LEUR UTILISATION. LORSQUE VOUS DEVEZ LES REMPLACER, ATTENDEZ AU MOINS 10 MINUTES                  APRÈS AVOIR ÉTEINT VOTRE APPAREIL POUR LES ENLEVER.</p>
<p>NE LAISSEZ PAS LES AMPOULES ENTRER EN CONTACT DIRECT AVEC VOS DOIGTS; LE GRAS                  SUR VOS DOIGTS ENDOMMAGERA LES AMPOULES LORSQU'ELLES CHAUFFERONT. UTILISEZ                  DES GANTS OU UN LINGE PROPRE ET SEC LORSQUE VOUS MANIPULEZ LES AMPOULES.</p>

## 6.0 ENTRETIEN

## 5.3 UTILISATION DE LA TÉLÉCOMMANDE

**NOTE :** Assurez-vous que les piles de la télécommande sont pleinement chargées et insérées correctement.

- A. Assurez-vous que l'interrupteur MARCHÉ/ARRÊT de l'appareil est à « ON ». La télécommande ne peut fonctionner si l'interrupteur MARCHÉ/ARRÊT est à « OFF ».
- B. Pointez la télécommande en direction du devant de l'appareil.
- C. La touche MISE EN MARCHÉ peut servir à mettre en marche ou à arrêter l'appareil (pour que la télécommande fonctionne, l'interrupteur de l'appareil doit être à « ON »). En appuyant sur cette touche , l'appareil est mis sous tension.
- D. Pour actionner la chaudière, appuyez sur la touche FONCTION.  Appuyez et relâchez la touche FONCTION pour accéder aux différents réglages :
- Pour allumer uniquement la soufflerie, appuyez une fois sur la touche FONCTION.
- Appuyez deux fois pour allumer la soufflerie et la chaudière de 750 W.
- Appuyez trois fois pour allumer la soufflerie et la chaudière de 1500 W.
- Appuyez quatre fois pour éteindre la soufflerie et la chaudière.
- E. Pour régler la hauteur des flammes et la luminosité du lit de braises, appuyez sur la touche FLAMME.  Il y a quatre réglages différents pour la luminosité en plus du réglage « OFF ».
- F. Pour éteindre l'appareil, appuyez une fois sur la touche MISE EN MARCHÉ. **NOTE :** Pour fonctionner, la télécommande doit être à moins de 8 mètres ou 26 pieds de l'appareil.



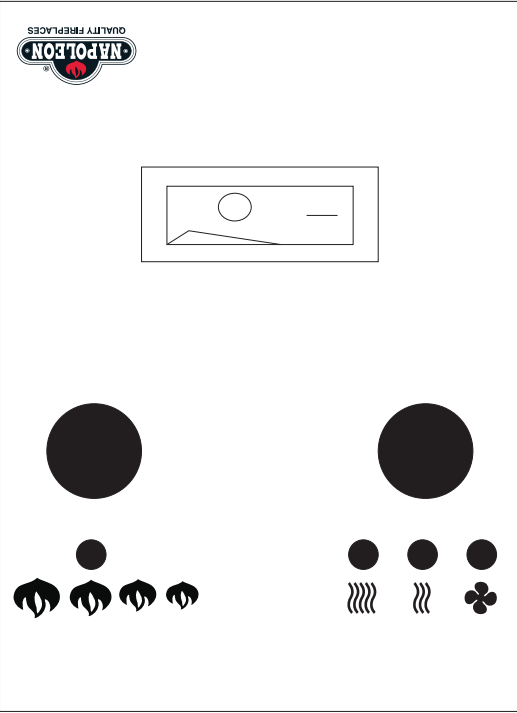
## 5.0 INSTRUCTIONS DE FONCTIONNEMENT

L'appareil est prêt à fonctionner dès qu'il est correctement branché dans une prise de courant mise à la terre. **NOTE : Assurez-vous que les disjoncteurs de la maison pour ce circuit soient allumés. Lors d'une panne de courant, les réglages du jeu de flammes et des fonctions devront être reprogrammés quand le courant sera rétabli.**

### 5.1 INTERRUPTEUR

L'interrupteur MARCHE/ARRÊT est situé du côté supérieur droit de l'appareil. Le symbole « | » indique MARCHE et le symbole « O » indique ARRÊT. Pour éteindre l'appareil, placez l'interrupteur à la position « | ».

### 5.2 UTILISATION DU PANNEAU DE CONTRÔLE



- A.** Assurez-vous que l'interrupteur MARCHE/ARRÊT de l'appareil est à « ON ».
- B.** Pour actionner la chauffeferette, appuyez sur la touche FONCTION. Appuyez et relâchez la touche FONCTION pour accéder aux différents réglages :
- Pour allumer uniquement la soufflerie, appuyez une fois sur la touche FONCTION.
  - Appuyez deux fois pour allumer la soufflerie et la chauffeferette de 750 W.
  - Appuyez trois fois pour allumer la soufflerie et la chauffeferette de 1500 W.
  - Appuyez quatre fois pour éteindre la soufflerie et la chauffeferette.
- C.** Pour régler la hauteur des flammes et la luminosité du lit de braises, appuyez sur la touche FLAMME. Il y a quatre réglages différents pour la luminosité en plus du réglage « OFF ».
- D.** Pour éteindre l'appareil, placez l'interrupteur MARCHE/ARRÊT à « OFF ».

## 4.0 FINITIONS

### ! AVERTISSEMENT

LE RACCORDEMENT PAR CÂBLE DOIT ÊTRE COMPLÉTÉ AVANT LA FINITION AFIN D'ÉVITER TOUTE RECONSTRUCTION.

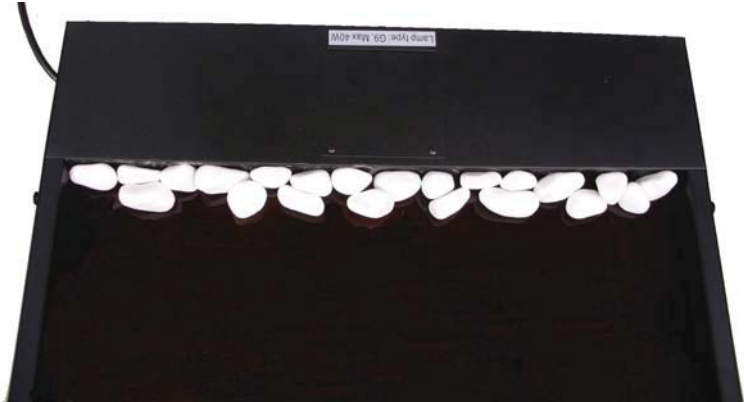
LES ENTRÉES D'AIR ET LES SORTIES D'AIR DE L'APPAREIL NE DOIVENT JAMAIS ÊTRE COUVERTES.

### 4.1

#### INSTALLATION DES ROCHES DE RIVIÈRE

- A.** NETTOYAGE DES ROCHES : Il est possible qu'une poussière fine blanche recouvre les roches. Avant de les disposer dans le plateau, nettoyez les roches avec un savon à vaisselle doux, égouttez-les, rincez-les à fond et laissez-les sécher.
- B.** Disposez soigneusement les roches dans le plateau inférieur sur le devant de l'appareil, comme illustré.

**NOTE :** Il n'est pas nécessaire d'utiliser toutes les roches de rivière fournies.



### 4.2

#### INSTALLATION DE LA FAÇADE VITRÉE

Il est recommandé que l'installation de la vitre soit faite par deux personnes. Lorsque vous manipulez du verre, portez des lunettes de sécurité et des gants protecteurs.

- A.** Alignez les supports à l'arrière de la vitre avec les 4 vis à épaulement sur le côté du caisson.
- B.** Accrochez la façade vitrée.





### 3.3 INSTALLATION DE L'APPAREIL

Puisque les murs peuvent être recouverts de divers matériaux, nous vous conseillons fortement de retenir les services d'un professionnel qualifié pour ces travaux.

**A.** Choisissez un endroit non sujet à l'humidité et situé à au moins 3 pi (0,9 m) des articles combustibles, tels que les rideaux, meubles, literie, papier, etc.

**B.** Demandez à deux personnes d'appuyer et de maintenir l'appareil contre le mur pour en déterminer l'emplacement définitif.

**C.** En utilisant le gabarit, marquez le centre du trou pour les deux supports de montage sur le mur. La distance entre les deux supports doit être de 35,375 po.

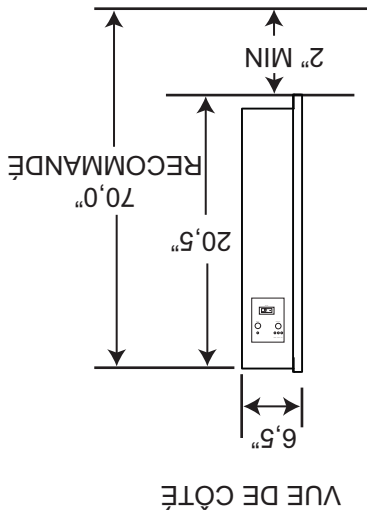
**D.** Installez les ancrages et les vis fournis. Ne serrez pas complètement les vis puisque la tête de la vis doit s'engager dans les supports de montage. **NOTE : Si possible, nous vous conseillons fortement**

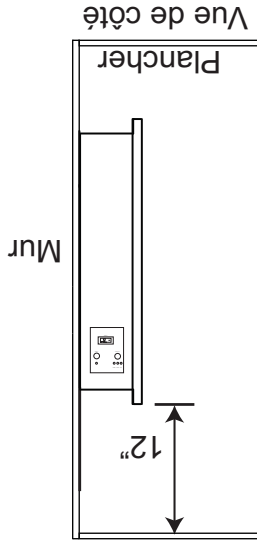
**de visser les vis dans les montants muraux. Si vous ne pouvez utiliser les montants muraux, assurez-vous d'utiliser les**

**ancrages en plastique pour fixer le support au mur.**

**E.** Une fois les vis installées, demandez à deux personnes de soulever l'appareil et d'insérer les vis dans les trous à l'arrière de l'appareil.

**F.** Vérifiez la stabilité de l'appareil en vous assurant que l'appareil est bien ancré dans le mur et que l'appareil ne tombera pas.





**AVERTISSEMENT**

LORSQUE VOUS UTILISEZ DE LA PEINTURE OU DU VERNIS COMME FINITION POUR VOTRE TABLETTE, ASSUREZ-VOUS QU'ILS SOIENT RÉSISTANTS À LA CHALEUR AFIN DE PRÉVENIR LA DÉCOLORATION. INSTALLEZ LA BASE DE L'APPAREIL À AU MOINS 2 POUCES AU-DESSUS DU PLANCHER FINI.

**3.2 DÉGAGEMENTS MINIMAUX DE LA TABLETTE**

Dessous	2"	Arrière	0"	Côtés	12"
Les mesures sont prises à partir de la façade vitrée.					
Haut					
12" au plafond					

**3.1 DÉGAGEMENTS MINIMAUX AUX MATÉRIEAUX COMBUSTIBLES**

**AVERTISSEMENT**

RISQUE D'INCENDIE! LE CORDON D'ALIMENTATION NE DOIT PAS ÊTRE COINCÉ CONTRE UNE ARÊTE VIVE. FIXEZ LE CORDON POUR ÉVITER LES CHUTES OU LES ACCROCHAGES AFIN DE RÉDUIRE LE RISQUE D'INCENDIE, DE CHOC ÉLECTRIQUE OU DE BLESSURES CORPORELLES. NE PASSEZ PAS LE CORDON D'ALIMENTATION SOUS UN TAPIS. NE RECouvrez PAS LE CORDON AVEC DES CARPETTES, DES TAPIS DE COULOIR OU AUTRES REVÊTEMENTS SIMILAIRES. ÉVITEZ DE PLACER LE CORDON DANS UN ENDROIT PASSANT OU À UN ENDROIT OÙ IL RISQUE DE CAUSER DES CHUTES.

RISQUE D'INCENDIE! POUR PRÉVENIR LES RISQUES D'INCENDIE, NE BLOQUEZ PAS LES ENTRÉES D'AIR ET LES SORTIES D'AIR DE QUELQUE MANIÈRE QUE CE SOIT. NE PLACEZ PAS CET APPAREIL SUR UNE SURFACE MOLLE OÙ LES OUVERTURES POURRAIENT SE BLOQUER.

RISQUE D'INCENDIE! NE SOUFFLEZ PAS OU NE PLACEZ PAS D'ISOLANT CONTRE L'APPAREIL.

CET APPAREIL ÉLECTRIQUE A ÉTÉ TESTÉ ET HOMOLOGUÉ POUR USAGE AVEC LES ACCESSOIRES OPTIONNELS LISTÉS DANS CE MANUEL UNIQUEMENT. L'UTILISATION D'ACCESSOIRES OPTIONNELS QUI N'ONT PAS ÉTÉ SPÉCIFIQUEMENT TESTÉS POUR CET APPAREIL ÉLECTRIQUE ANNULERA LA GARANTIE DE L'APPAREIL ET/OU PRÉSENTERA DES RISQUES POUR LA SÉCURITÉ.

SI CES INSTRUCTIONS NE SONT PAS SUIVIES À LA LETTRE, UN INCENDIE OU UNE EXPLOSION POURRAIT S'ENSUIVRE, CAUSANT DES DOMMAGES MATÉRIELS, DES BLESSURES CORPORELLES OU DES PERTES DE VIE. N'ENTREPOSEZ PAS ET N'UTILISEZ PAS D'ESSENCE OU AUTRES VAPEURS INFLAMMABLES À PROXIMITÉ DE CET APPAREIL OU TOUT AUTRE APPAREIL.

ÉTANT DONNÉ LA LOURDEUR DE CET APPAREIL, IL EST RECOMMANDÉ QUE DEUX PERSONNES EN FASSENT L'INSTALLATION.

LES ENTRÉES D'AIR ET LES SORTIES D'AIR NE DOIVENT PAS ÊTRE COUVERTES EN AUCUN CAS AFIN DE RÉDUIRE LE RISQUE D'INCENDIE.

**3.0 INSTALLATION**

## 2.0 EMPACEMENT DE L'APPAREIL

<b>⚠ AVERTISSEMENT</b>	
<p>EN RAISON DES TEMPÉRATURES ÉLEVÉES, L'APPAREIL DEVAIT ÊTRE PLACÉ LOIN DES ENDROITS PASSANTS. GARDEZ TOUS LES ARTICLES COMBUSTIBLES TELS QUE LES MEUBLES, LES OREILLERS, LA LITERIE, LE PAPIER, LE PAPIER, LES VÊTEMENTS ET LES RIDEAUX À UNE DISTANCE D'AU MOINS 3 PIEDS (0,9 MÈTRE) DE LA FAÇADE DE L'APPAREIL.</p>	
<p>NE PLACEZ JAMAIS L'APPAREIL ÉLECTRIQUE À UN ENDROIT OÙ IL RISQUE DE TOMBER DANS UNE BAIGNOIRE OU TOUT AUTRE RÉSERVOIR CONTENANT DE L'EAU.</p>	
<p>PORTEZ DES GANTS DE PROTECTION ET DES LUNETTES DE SÉCURITÉ LORS DE L'INSTALLATION ET DE L'ENTRETIEN.</p>	
<p>AFIN D'ÉVITER TOUT CONTACT AVEC DE L'ISOLANT QUI S'AFFAÏSSE, L'APPAREIL ÉLECTRIQUE NE DOIT PAS ÊTRE INSTALLÉ CONTRE UN COUPE-VAPEUR OU DE L'ISOLANT À DÉCOUVERT. UNE SURCHAUFFE LOCALISÉE PEUT SURVENIR ET UN INCENDIE POURRAIT S'ENSUIVRE.</p>	
<p>L'APPAREIL ÉLECTRIQUE NE DOIT PAS ÊTRE EXPOSÉ AUX CONDITIONS EXTÉRIEURES (PAR EX. LA PLUIE).</p>	

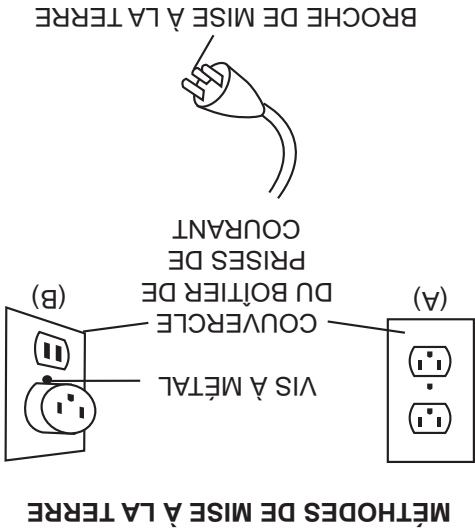
### 2.1 DÉBALLAGE ET VÉRIFICATION DE L'APPAREIL

Retirez soigneusement l'appareil de la boîte. Avant d'installer l'appareil, assurez-vous qu'il fonctionne bien en branchant le cordon d'alimentation dans une prise de courant mise à la terre de 120 V.

### 2.2 MISE À LA TERRE DE L'APPAREIL

Cet appareil doit être branché sur un circuit de 120 volts. Son cordon d'alimentation est équipé d'une fiche comme illustré en (A) ci-contre. Un adaptateur, tel qu'illustré en (C), est disponible pour brancher des fiches à trois branches avec mise à la terre dans des prises à deux fentes. La patte verte de mise à la terre de l'adaptateur doit être branchée dans une prise de courant mise à la terre de façon permanente telle qu'un boîtier de prises de courant mis à la terre. L'adaptateur ne doit pas être utilisé si une prise de courant mise à la terre à trois fentes est disponible.

Pour débrancher l'appareil, mettez les boutons de contrôle à « OFF » puis retirez la fiche de la prise de courant.



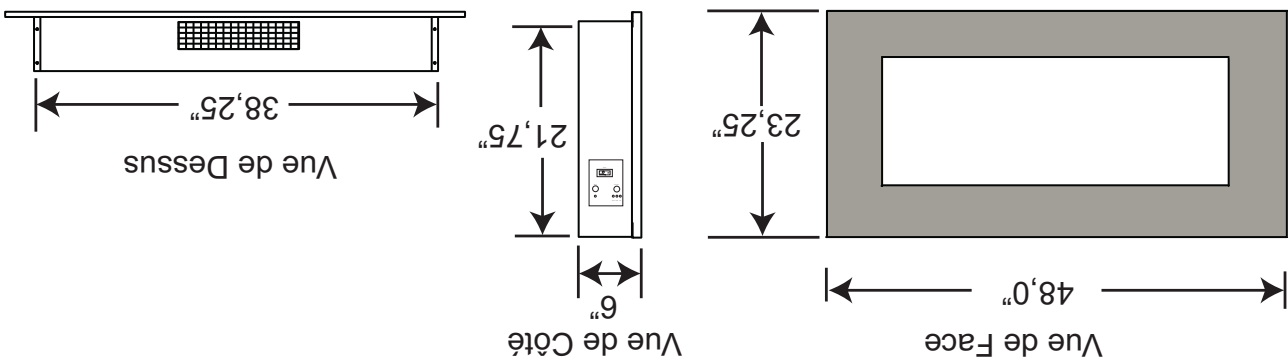
INTERRIDIT AU CANADA

<b>⚠ AVERTISSEMENT</b>
VEUILLEZ LIRE LE MANUEL D'INSTRUCTIONS EN ENTIER AVANT DE COMMENCER L'INSTALLATION. OMETTRE DE SUIVRE CES INSTRUCTIONS POURRAIT CAUSER UN MAUVAIS FONCTIONNEMENT DE L'APPAREIL ET ENTRAÎNER DES BLESSURES GRAVES ET/OU DES DOMMAGES MATÉRIELS.
TOUS LES APPAREILS ÉLECTRIQUES CONTIENNENT DES COMPOSANTS INTERNES QUI DEVIENNENT CHAUDS ET QUI PRODUISENT DES ÉTINCELLES. N'UTILISEZ PAS CET APPAREIL DANS DES ENDROITS OÙ DE L'ESSENCE, DES PEINTURES OU D'AUTRES LIQUIDES INFLAMMABLES SONT PRÉSENTS.
CET APPAREIL ÉLECTRIQUE A ÉTÉ TESTÉ ET HOMOLOGUÉ POUR USAGE AVEC LES ACCESSOIRES OPTIONNELS LISTÉS DANS CE MANUEL UNIQUEMENT. L'UTILISATION D'ACCESSOIRES OPTIONNELS QUI N'ONT PAS ÉTÉ SPÉCIFIQUEMENT TESTÉS POUR CET APPAREIL ÉLECTRIQUE ANNULERA LA GARANTIE DE L'APPAREIL ET/OU PRÉSENTERA DES RISQUES POUR LA SÉCURITÉ.
NE PAS OUVRIR. RISQUE DE CHOC ÉLECTRIQUE. AUCUNE PIÈCE RÉPARABLE PAR L'UTILISATEUR À L'INTÉRIEUR.
N'UTILISEZ PAS DE CORDONS D'ALIMENTATION ENDOMMAGÉS.
L'ENTRETIEN NE DOIT ÊTRE EFFECTUÉ QUE LORSQUE L'APPAREIL EST DÉBRANCHÉ DU CIRCUIT ÉLECTRIQUE.
HAUTE TEMPÉRATURE, RISQUE D'INCENDIE. GARDEZ LES CORDONS D'ALIMENTATION, LES RIDEAUX, L'AMEUBLEMENT ET TOUT AUTRE ARTICLE COMBUSTIBLE À UNE DISTANCE D'AU MOINS 36" DE LA FAÇADE DE L'APPAREIL ET À L'ÉCART DES CÔTÉS ET DE L'ARRIÈRE.
POUR ÉVITER LES CHOC ÉLECTRIQUES, INTRODUISEZ LA BRANCHE LA PLUS LARGE DE LA FICHE DANS LA FENTE CORRESPONDANTE DE LA PRISE ET INSÉREZ JUSQU'AU FOND.

Cet appareil électrique répond aux normes de construction et de sécurité du H.U.D. pour des applications dans des maisons préfabriquées lorsque installé selon ces instructions.

- A.** Avant de brancher votre appareil dans une prise de courant, vérifiez si le disjoncteur de la maison pour ce circuit est allumé.
- B.** Il est possible que l'appareil dégage une légère odeur inoffensive lors de la première utilisation. Cela est une condition normale causée par le chauffage initial des éléments de l'appareil. Elle ne se reproduira plus.
- C.** Si votre appareil n'émet pas de chaleur, consultez la section « Fonctionnement » de ce manuel pour de plus amples renseignements.
- D.** Utilisez avec un limiteur de surtension certifié CSA ou UL.

**1.1 DIMENSIONS**



**1.2 HOMOLOGATIONS**

Cet appareil a été testé selon les normes CSA et UL pour foyers électriques installés de façon permanente aux États-Unis et au Canada. Si vous avez besoin d'assistance durant l'installation, veuillez contacter votre détaillant local.

**NOTE :** Cet appareil doit être raccordé électriquement et mis à la terre selon les codes locaux. En l'absence de tels codes, utilisez la version courante du Code canadien de l'électricité CSA C22.1 au Canada ou le National Electrical Code ANSI/NFPA 70 aux États-Unis.

Numéro de modèle	EFL48
Description	Installation murale
Tension	120 V CA / 60 Hz
Puissance	MAX 1500 W
Ampères	15 A circuit mis à la terre
Largeur	48,0"
Hauteur	21,75"
Profondeur	6,5"
Poids brut	56 lb

## **AVERTISSEMENT**

- **CET APPAREIL EST CHAUD LORSQU'IL FONCTIONNE ET PEUT CAUSER DE GRAVES BRULURES EN CAS DE CONTACT.**
- Ne faites pas fonctionner l'appareil avant d'avoir lu et compris les instructions d'utilisation. Ne pas respecter les instructions pourrait causer un incendie ou des blessures corporelles.
- Risque de brûlures. L'appareil doit être refroidi avant d'effectuer l'entretien. Pour débrancher l'appareil, mettez d'abord les boutons de contrôle à « Off » puis retirez la fiche de la prise de courant.
- N'installez pas de composants endommagés ou incomplets ni des composants de substitution.
- Ne brûlez pas de bois ou autres matériaux dans cet appareil.
- Les jeunes enfants doivent être supervisés attentivement lorsqu'ils sont dans la même pièce que l'appareil. Les jeunes enfants et autres personnes sont sujets aux brûlures accidentelles. Une barrière de protection est recommandée s'il y a dans la maison des individus à risque. Afin de restreindre l'accès à l'appareil, installez une barrière de protection ajustable pour garder les jeunes enfants ou autres personnes à risque hors de la pièce et loin des surfaces chaudes.
- Les vêtements et autres matériaux combustibles ne doivent pas être posés sur l'appareil ou à proximité.
- En raison des températures élevées, l'appareil devrait être placé loin des endroits passants et loin des meubles et des rideaux.
- Assurez-vous de disposer de mesures de sécurité adéquates pour empêcher les jeunes enfants de toucher aux surfaces chaudes.
- Même lorsque l'appareil est éteint, la porte et l'écran demeureront chauds pendant un bon moment.
- Consultez votre détaillant local de foyer pour connaître les grillages de sécurité et les écrans offerts pour protéger les enfants des surfaces chaudes. Ces grillages de sécurité et ces écrans doivent être fixés au plancher.
- Les grillages de sécurité ou écrans enlevés pour faire l'entretien devront être remis en place avant d'utiliser l'appareil.
- Il est primordial de garder propres les compartiments de contrôle, la soufflerie et les bouches d'air de l'appareil. L'appareil doit être inspecté avant la première utilisation et au moins une fois l'an par un spécialiste en entretien. Un entretien plus fréquent pourrait être nécessaire en raison des peluches provenant des tapis, literie, etc. L'emplacement de l'appareil doit être gardé libre de tous matériaux combustibles, essence ou autres liquides et vapeurs inflammables.
- Cet appareil ne devra être modifié en aucun cas.
- N'utilisez pas cet appareil si une partie quelconque a été submergée. Contactez immédiatement un technicien de service qualifié pour inspecter l'appareil et pour remplacer toute pièce du système de contrôle qui aurait été submergée.
- Ne pas opérer l'appareil lorsque la porte vitrée est enlevée, fissurée ou brisée. Le remplacement de la vitre devra être effectué par un technicien de service certifié ou qualifié.
- Ne trappez pas et ne claquez pas la porte vitrée de l'appareil.
- Les matériaux d'emballage doivent être gardés hors de la portée des enfants et mis au rebut de façon sécuritaire. Comme tous les emballages de plastique, ceux-ci ne sont pas des jouets et doivent demeurer hors de la portée des enfants et des bébés.
- L'entretien ne doit être effectué que lorsque l'appareil est débranché du circuit électrique.
- Débranchez toujours l'appareil lorsqu'il n'est pas utilisé.
- N'utilisez pas l'appareil si le cordon d'alimentation ou la fiche sont endommagés, s'il ne fonctionne pas bien, ou s'il a été échappé ou endommagé d'une quelconque façon. Retournez l'appareil à un centre de service autorisé pour une inspection, des ajustements électriques ou mécanique.
- N'utilisez pas cet appareil à l'extérieur.
- Ne placez jamais l'appareil à un endroit où il risque de tomber dans une baignoire ou tout autre réservoir contenant de l'eau.
- Ne passez pas le cordon d'alimentation sous un tapis. Ne recouvrez pas le cordon avec des tapis, des tapis de couloir ou autres revêtements similaires. Évitez de placer le cordon dans un endroit passant ou à un endroit où il risque de causer des chutes.
- Branchez seulement dans une prise de courant adéquatement mise à la terre.
- N'insérez pas d'objets dans les ouvertures d'entrée d'air ou de sortie d'air puisque cela risque d'endommager l'appareil ou causer des chocs électriques ou un incendie.
- Pour prévenir les risques d'incendie, ne bloquez pas les entrées d'air et les sorties d'air de quelque manière que ce soit. Ne placez pas cet appareil sur une surface molle telle qu'un tapis où les ouvertures pourraient se bloquer.
- Branchez toujours les appareils directement dans une prise de courant. N'utilisez jamais de rallonge ou de prise électrique relogable (prise/barre d'alimentation).
- Assurez-vous de respecter les dégagements aux matériaux combustibles lorsque vous installez un manteau ou des tablettes au-dessus de l'appareil. Les téléviseurs et autres composants électroniques soumis à des températures élevées peuvent fondre, se déformer, se décolorer et entraîner des défaillances prématurées de ces appareils.

# TABLE DES MATIÈRES

<b>1.0</b>	<b>INTRODUCTION</b>	1.1	DIMENSIONS	1.1	3
		1.2	HOMOLOGATIONS	1.2	4
		1.3	INSTRUCTIONS GÉNÉRALES	1.3	4
<b>2.0</b>	<b>EMPLACEMENT DE L'APPAREIL</b>	2.1	DÉBALLAGE ET VÉRIFICATION DE L'APPAREIL	2.1	6
		2.2	MISE À LA TERRE DE L'APPAREIL	2.2	6
<b>3.0</b>	<b>INSTALLATION</b>	3.1	DÉGAGEMENTS MINIMAUX AUX MATÉRIAUX COMBUSTIBLES	3.1	7
		3.2	DÉGAGEMENTS MINIMAUX DE LA TABLETTE	3.2	7
		3.3	INSTALLATION DE L'APPAREIL	3.3	8
<b>4.0</b>	<b>FINITIONS</b>	4.1	INSTALLATION DES ROCHES DE RIVIÈRE	4.1	9
		4.2	INSTALLATION DE LA FAÇADE VITRÉE	4.2	9
<b>5.0</b>	<b>INSTRUCTIONS DE FONCTIONNEMENT</b>	5.1	INTERRUPTEUR	5.1	10
		5.2	UTILISATION DU PANNEAU DE CONTRÔLE	5.2	10
		5.3	UTILISATION DE LA TÉLÉCOMMANDE	5.3	11
<b>6.0</b>	<b>ENTRETIEN</b>	6.1	REMPLACEMENT DE L'AMPOULE	6.1	12
<b>7.0</b>	<b>SCHEMA DE CÂBLAGE</b>				13
<b>8.0</b>	<b>RECHANGES</b>				14
<b>9.0</b>	<b>GUIDE DE DÉPANNAGE</b>				15
<b>10.0</b>	<b>GARANTIE</b>				16
<b>11.0</b>	<b>HISTORIQUE D'ENTRETIEN</b>				17

**NOTE:** Les changements autres que de nature éditoriale sont dénotés par une ligne verticale dans la marge.

10,00 \$

1.16B

Wolf Steel Ltd., 24 Napoleon Rd., Barrie, ON, L4M 0G8 Canada /  
103 Miller Drive, Crittenden, Kentucky, USA, 41030  
Téléphone 705-721-1212 • Télécopieur 705-722-6031 • www.napoleonfoyers.com • ask@napoleonproducts.com



- N'entreposez pas et n'utilisez pas d'essence ou autres liquides et vapeurs inflammables à proximité de cet appareil ou tout autre appareil.

Si ces instructions ne sont pas suivies à la lettre, un incendie ou une explosion pourraient s'ensuivre causant des dommages matériels, des blessures corporelles ou des pertes de vie.

### CONSIGNES DE SÉCURITÉ

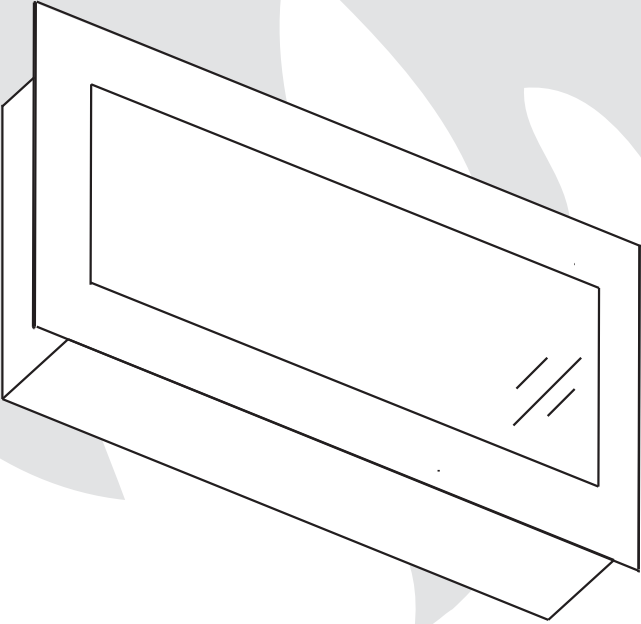
## ! AVERTISSEMENT

CERTIFIÉ POUR LE CANADA ET LES ÉTATS-UNIS SELON LES MÉTHODES ANSI/CSA.

LA VITRE CHAUDE CAUSERA DES BRÛLURES.  
NE PAS TOUCHER LA VITRE AVANT QU'ELLE AIT REFFROIDI.  
NE JAMAIS LAISSER LES ENFANTS TOUCHER LA VITRE.



## ! AVERTISSEMENT



FOYER ÉLECTRIQUE

# EFL48

HOMOLOGUÉ SELON LES NORMES NATIONALES CANADIENNES ET AMÉRICAINES : CSA C22.2 No-46 / UL 1278

## INSTRUCTIONS D'INSTALLATION ET D'OPÉRATION

FOYERS DE QUALITÉ



INSTALLATEUR : LAISSEZ CE MANUEL AVEC L'APPAREIL.  
PROPRIÉTAIRE : CONSERVEZ CE MANUEL POUR CONSULTATION ULTÉRIEURE.  
NE LAISSEZ PAS LES ENFANTS OU AUTRES INDIVIDUS À RISQUE SEULS À PROXIMITÉ DE L'APPAREIL.