

Fuller[®]
BRUSH CO.

Spiffy
Maid[™]

OWNER'S MANUAL
FOR THE FULLER BRUSH
SPIFFY MAID BROOM VACUUM

Model:
FB-SPFM



Thank you for purchasing this
Fuller Brush Broom Vacuum.
To ensure the best results, please read this
manual first and keep it for future reference.

IMPORTANT SAFETY INSTRUCTIONS

When using an electrical appliance, basic precautions should always be followed, including the following:

READ ALL INSTRUCTIONS BEFORE USING THIS APPLIANCE

WARNING:

The manufacturer cannot accept responsibility for damage caused when the appliance is not used according to the instructions, or for uses other than those for which it was intended.

To reduce the risk of fire, electric shock or injury:

- Do not leave appliance when plugged in. Unplug from outlet when not in use and before servicing.
- **WARNING: ELECTRIC SHOCK COULD OCCUR IF USED OUTDOORS OR ON WET SURFACES.**
- Do not allow to be used as a toy. Close attention is necessary when used by or near children.
- Use only as described in this manual. Use only manufacturer's recommended attachments.
- Do not use with damaged cord or plug. Or if appliance is not working as it should, has been dropped, damaged, left outdoors, or dropped into water.
- Do not pull or carry by cord, use cord as a handle, close a door on the cord, or pull cord around sharp edges or corners. Do not run appliance over cord. Keep cord away from heated surfaces.
- Do not unplug by pulling on cord. To unplug, grasp the plug, not the cord.
- Do not handle plug or appliance with wet hands.
- Do not put any object into openings. Do not use with any opening blocked; keep free of dust, lint, hair and anything that may reduce air flow.
- Keep hair, loose clothing, fingers and all parts of body away from openings and moving parts.
- Do not pick up anything that is burning or smoking, such as cigarettes, matches or hot ashes.
- Do not use without filters in place.
- Turn off all controls before unplugging.
- Do not use to pick up flammable or combustible liquids such as gasoline or use in areas where they may be present.
- Do not attempt to service the unit while appliance is plugged in.
- Do not use vacuum to pick up water or any wet materials.
- Use extra care when cleaning on stairs.

SAVE THESE INSTRUCTIONS.

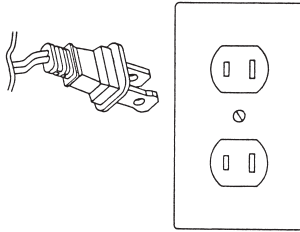
CONTENTS

Polarization Instructions & Safety Precautions	2
Parts Identification	3
Vacuum Description	4-5
Assembling the Vacuum	6
Operating the Vacuum.....	7
Emptying the Dust Cup.....	8
Cleaning the Filters and Dust Cup.....	9-10
Troubleshooting Guide	11

Polarization Instructions

Power Cord - 2-Wire Polarized

To reduce the risk of electric shock this product is equipped with a polarized alternating current line plug (a plug having one blade wider than the other). This plug will fit into the power outlet only one way. This is a safety feature. If you are unable to insert the plug fully into the outlet, try reversing the plug. If the plug should still fail to fit, contact a qualified electrician to replace the obsolete outlet. Do not defeat the safety purpose of the polarized plug.



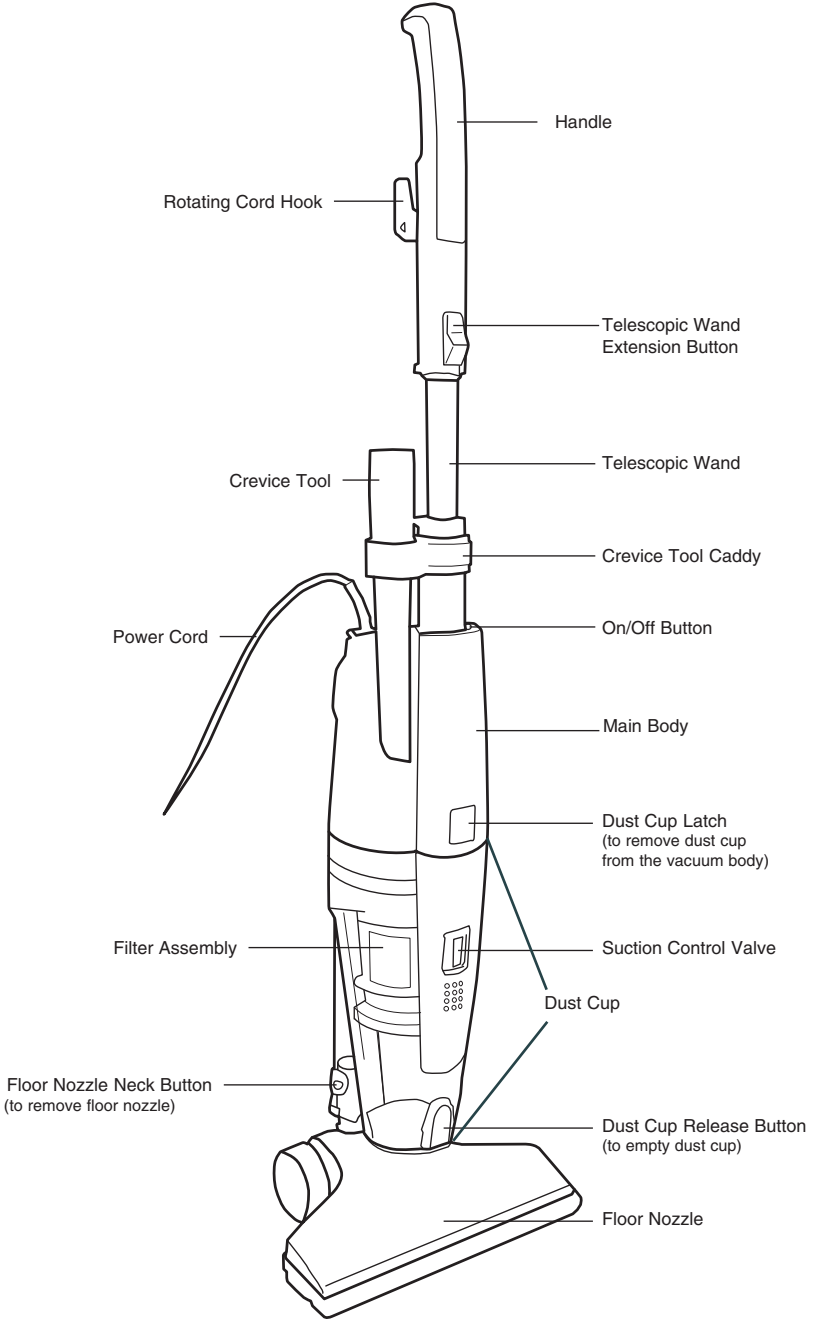
Safety Precautions

Important:

1. If the suction opening of the unit is clogged, turn off the vacuum and remove the clog before turning the vacuum back on.
2. Do not use the vacuum without the dust cup and all filters in place.

Parts Identification

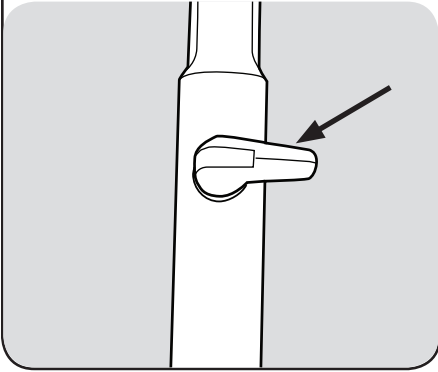
Model FB-SPFM



Vacuum Description

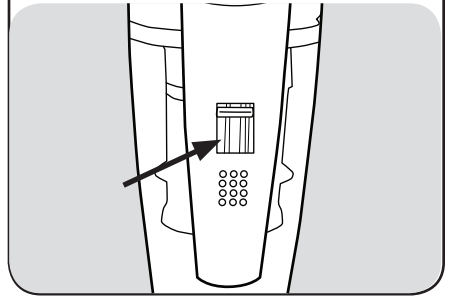
Rotating Cord Hook

The upper cord hook rotates to allow for quick access to the power cord.



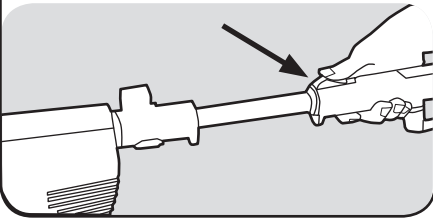
Suction Control Valve

Adjust the vacuum's suction by sliding the suction control valve up or down. All the way down, provides the most suction. As you move the suction control valve up, you reduce the suction of the vacuum.

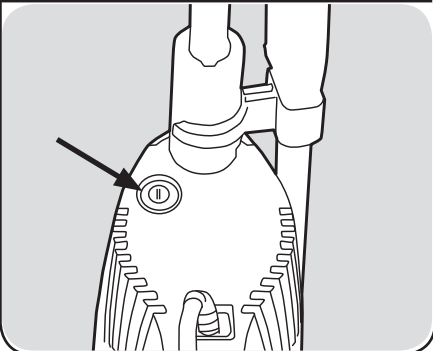


Telescopic Wand

While pressing the button forward, shorten or lengthen the telescopic wand to the desired length.

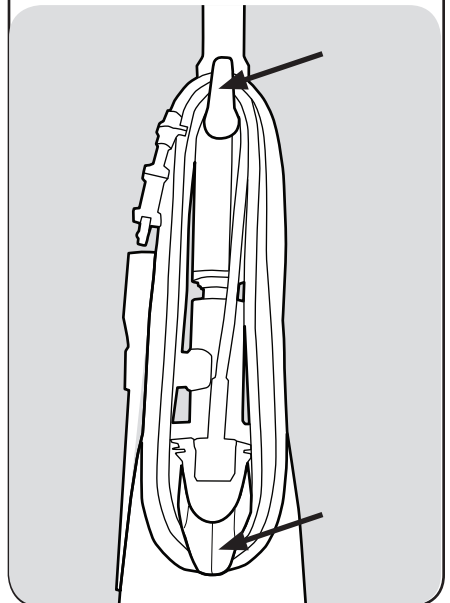


On/Off Button



Cord Storage Hooks

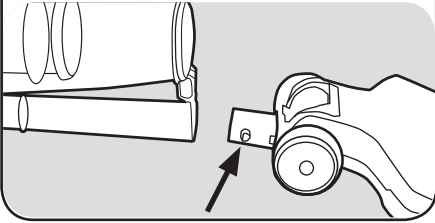
Turn the upper cord hook to the upright position and wind the power cord around the cord storage hooks when storing the vacuum.



Vacuum Description Continued

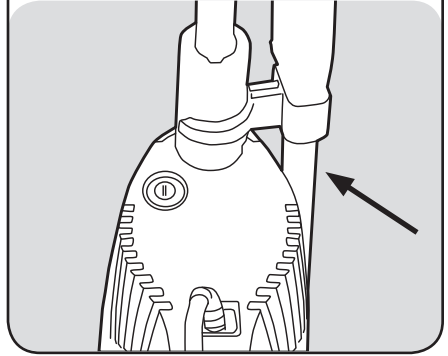
Floor Nozzle

Attach the floor nozzle to the end of the neck of the dust cup for cleaning bare floors.



Crevice Tool

The cleaning tool caddy holds the crevice tool. This tool can be added to the end of the main unit in place of the floor nozzle for cleaning along base boards and small spaces.



Assembling the Vacuum

NOTE: Always unplug the vacuum before assembling or removing accessories.

1. Insert the telescoping wand into top of the main unit. Ensure the button on the wand locks into place. (Fig. 1)
2. Attach the tool caddy to the neck of the body, then insert the crevice tool into the caddy. (Fig. 2)
3. Attach the floor nozzle to the neck of the dust cup ensuring the button on the nozzle neck locks into place. (Fig. 3)
4. Push the button on the telescoping wand forward to shorten or lengthen the wand to the desired length. (Fig. 4)

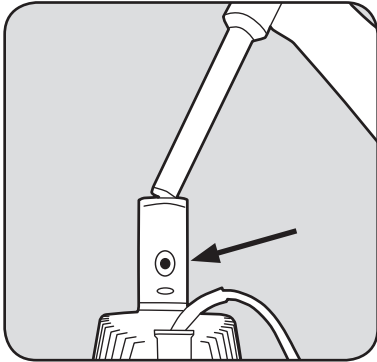


Fig. 1

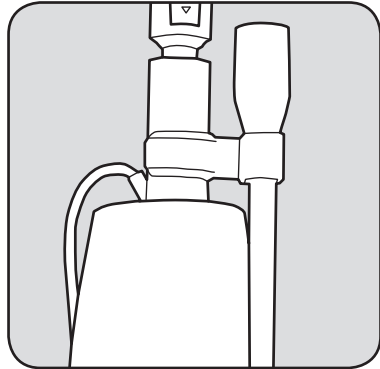


Fig. 2

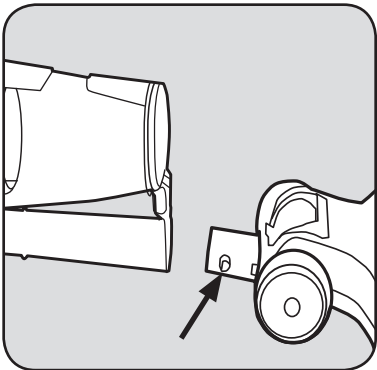


Fig. 3

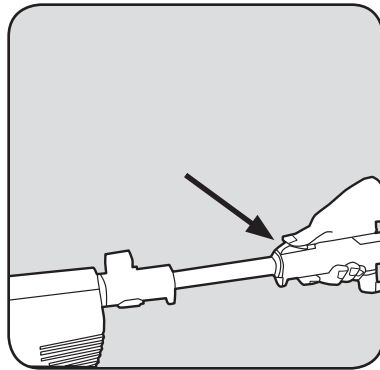


Fig. 4

Operating the Vacuum

1. Release the power cord from cord storage hooks. (Fig. 5)
2. Extend the telescopic wand to the desired length. (Fig. 6)
3. Attach the floor nozzle to the end of the dust cup for cleaning bare floors or area rugs. (Fig. 7)
4. Insert the power plug into a wall outlet and press the on/off button located on top of the main unit. (Fig. 8)
5. Adjust the power of the motor by sliding the suction control valve up or down. (Fig. 9)
6. Replace the floor nozzle with the crevice tool for cleaning along baseboards, ceilings and into small spaces. (Fig. 10)

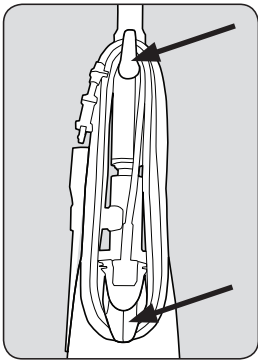


Fig. 5

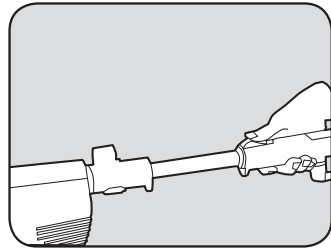


Fig. 6

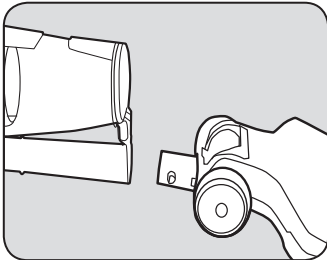


Fig. 7

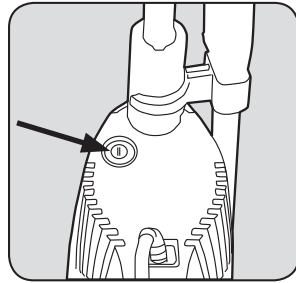


Fig. 8

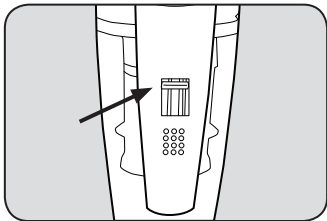


Fig. 9

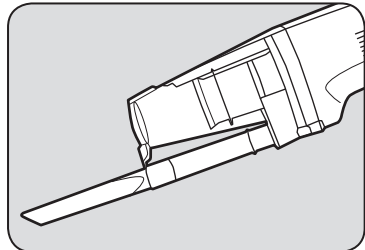


Fig. 10

Emptying the Dust Cup

Warning: Empty the dust cup before the contents reach the bottom of the filter frame. (Fig. 11) Over filling the dust cup may cause dirt and debris to clog the filter and cause loss of suction.

Warning: Always unplug the vacuum from the electrical outlet before removing the dust cup.

1. Turn the vacuum off and unplug the power cord from the wall outlet.
2. Remove the floor nozzle or crevice tool from the vacuum.
3. While holding the vacuum over a trash can, push the release button at the bottom of the dust cup. The base of the dust cup will drop down, releasing the dirt. (Fig. 12)
4. Close the bottom of the dust cup, ensuring it locks into place. (Fig. 13) Replace the floor nozzle or crevice tool and resume vacuuming.

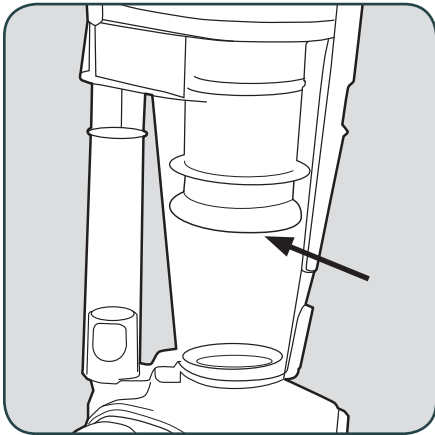


Fig. 11

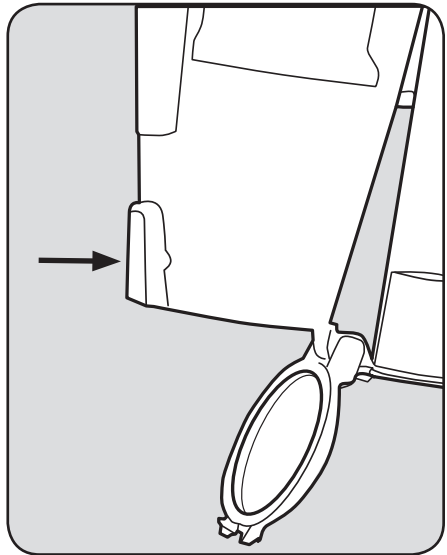


Fig. 12

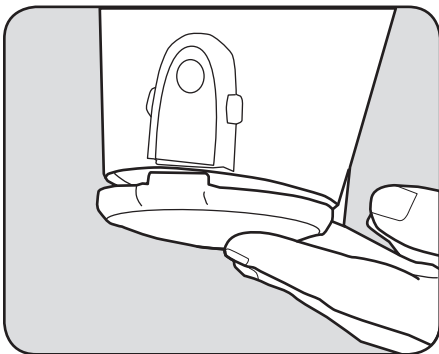


Fig. 13

Cleaning the Filters and Dust Cup

Warning: Always unplug the vacuum from the electrical outlet before removing the filters.

1. Remove the floor nozzle by pressing the button on the neck of the nozzle. (Fig. 14)
2. Push the dust cup latch and lift the dust cup from the vacuum. (Fig. 15)
3. Remove the filter assembly by grasping the tab inside the filter frame. (Fig. 16) Rotate the filter frame counterclockwise and remove it from the filter assembly. Slide the foam filter off the pleated filter. (Fig. 17)

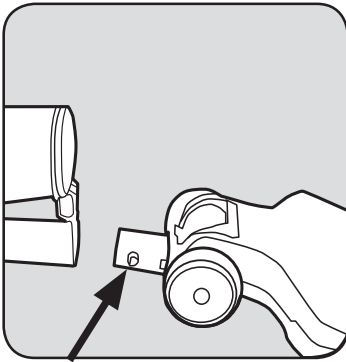


Fig. 14

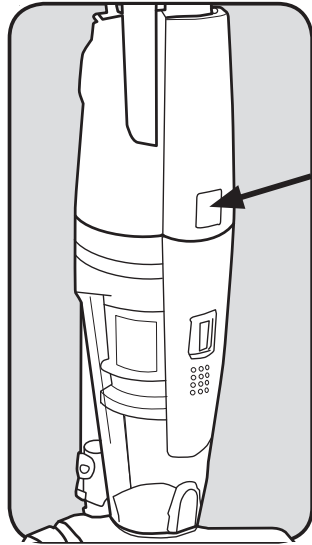


Fig. 15

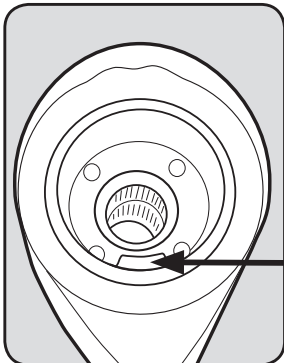


Fig. 16

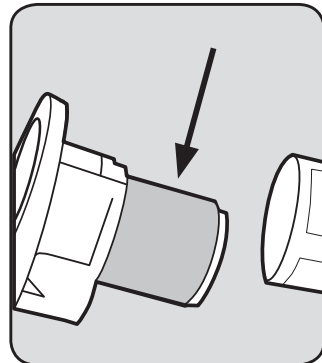


Fig. 17

Cleaning the Filters and Dust Cup Continued

4. Remove the small filter from the frame inside the main unit. (Fig. 18)
5. Tap each filter on a hard surface until the dust is removed. Once a month when suction appears to be reduced, rinse each filter in warm water or clean with a soft brush. Let each filter completely dry for 24 hours before replacing in the vacuum. (Fig. 19)
6. Remove the dust cup from the floor nozzle to shake out remaining dust and rinse with water. Allow to dry thoroughly before inserting filters back into the dust cup.
7. Replace the dust cup onto the vacuum. Then replace the floor nozzle and resume vacuuming. (Fig. 20)

Warning: Do not put filters in the dishwasher or washing machine.

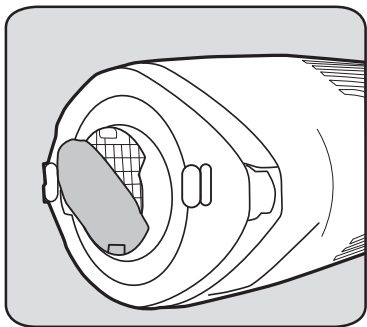


Fig. 18

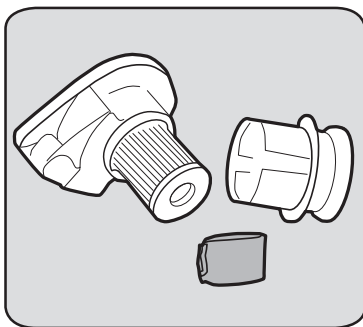


Fig. 19

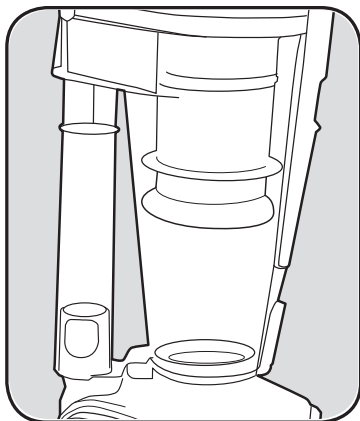


Fig. 20

Troubleshooting Guide

Problem	Check Point	Possible Solution
Suction power is weak.	<ul style="list-style-type: none">• Dust cup• Floor nozzle• Filters	<ul style="list-style-type: none">• If the dust cup is full, empty it.• If clogged, remove the object.• Clean or replace filters.
The vacuum does not work.	<ul style="list-style-type: none">• Power cord	Insert the power plug firmly into an electrical outlet.
Sudden loss of power.	<ul style="list-style-type: none">• Thermal reset	Turn off vacuum and unplug from electrical outlet. Check for clogs. Empty dust cup. Let vacuum cool down for 45 minutes before turning back on.
Dirt and debris are blowing through exhaust vent.	<ul style="list-style-type: none">• Filters	Make sure all filters (foam, pleated and small) are clean, dry and installed correctly.



PO Box 730
Fenton, MO 63026

www.fullerbrushvacuums.com

Should your vacuum ever need service, simply contact the retailer where original purchase was made or a vacuum service center.