



Owner's Manual



Table of Contents

Using the Remote Control	2
Selecting Functions	2
LED Indicator	2
Important	2
Mounting the Remote	3
Mounting Template	3

1.0 Using the Remote Control

1. Turn the inverter on without the remote installed. Use the on/off switch located on the front of the inverter.
2. Plug the remote into the terminal (RS 232 Port) on the back of the inverter.
3. The remote LED will be flashing yellow once every two seconds.
4. Click the remote button once.
5. The LED will turn solid yellow or solid green. If the LED is solid yellow, the inverter is in invert mode. If the LED is solid green, the inverter is in Power Saving mode. When Power Saving is enabled and there is no load present, the LED will flash green once every two seconds. It will take approximately five seconds for the LED to turn from solid to flashing green and twenty seconds if the inverter has been powered up. For more information on Power Saving please see the GP-SW 1500 owner's manual.

2.0 Selecting Functions

In order to determine the desired function, see the LED indicator section.

- 2.1. Clicking the remote button once when the LED is flashing yellow will turn on the inverter. Holding the remote button for five seconds when the LED is a solid color will cause the LED to toggle between solid yellow and solid green.
- 2.2 Holding down the remote button while the LED is flashing green will turn off the inverter. Clicking the remote button once while the LED is flashing green will engage a solid green LED.
- 2.3 Clicking the remote button while the LED is solid green or solid orange will turn off the inverter.

3.0 LED Indicator

- Solid Green-Inverter 'on' power saving enabled (0.67 A draw)
- Flashing Green-Inverter power saving mode (0.07A draw)
- Solid Yellow-Inverter 'on' power saving disabled (0.67A draw)
- Flashing Yellow-Inverter 'off' (0.07A)

Sometimes the inverter may show a fault and will need to be reset. Rest the inverter by turning the unit off and on using the remote.

4.0 Important

If the inverter is switched off using the ON/OFF switch located on the front of the inverter, the remote may need to be reset by the following steps 1-3.

Step 1- Turn the inverter off with the on/off switch on the front of the inverter.

Step 2- Unplug and then re-plug in the remote and turn on the inverter with the rocker switch on the front of the inverter.

Step 3- Continue using the remote only to turn the inverter ON and OFF.

5.0 Mounting the Remote

Step 1- Cut out the template attached and position it on the wall where the remote is to be mounted.

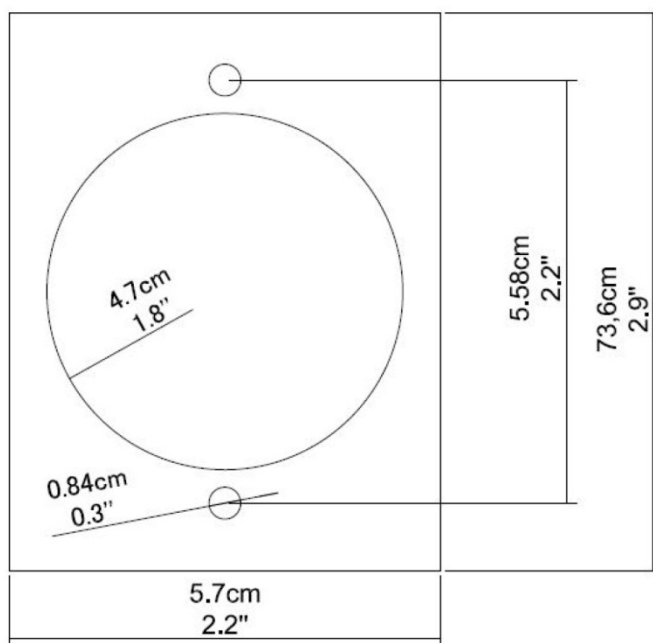
Step 2- Mark the location of the two holes, and the square area to be cut out. Note: Remote switch assembly requires 0.7" (18mm) minimum clear panel depth.

Step 3- Drill two holes, 7/64" (2.8mm) diameter and remove the cutout area.

Step 4- Feed the connector and wire through the cutout hole in the panel and route the wire to the inverter receptacle (RS 232 Port).

Step 5- Position the remote switch assembly upright and secure to the panel using the two screws provided. Plug the phone jack into the inverter. Press the button to turn the inverter on and off.

6.0 Mounting Template



© 2011 GO POWER!™ By Carmanah Technologies
www.gpelectric.com