

Ice-O-Matic[®]

Installation, Start-Up and Maintenance Manual

ICE SERIES CUBERS

ICE0250 through ICE2100 Series*

ICEU150, ICEU220 and ICEU300 Undercounter Series*

ICE0320 and ICE0520 22 Inch Series*

***INCLUDES 230/50/1 VOLT UNITS**



Ice-O-Matic
11100 East 45th Ave
Denver, Colorado 80239
Part Number 9081264-01

Date 11/08

How To Use This Manual

Ice-O-Matic provides this manual as an aid to the service technician in installation and maintenance of the **ICE Series** (electro-mechanical) cube ice machines. Do not attempt to perform installation, start-up or maintenance unless you have read and fully understand this manual.

If at any time you encounter conditions that are not addressed in this manual, call, E-mail or write the Ice-O-Matic Service Department:

Ice-O-Matic
11100 E. 45th Ave.
Denver, Co. 80239
Attn: Technical Service Department
E-Mail: Tech.service@iceomatic.com

Telephone Numbers
800-423-3367 All Departments
888-349-4423 Technical Assistance Only **(After Hours Only)**

Any Service communication must include:

- Model Number
- Serial number
- A detailed explanation of the problem

Keep this manual for future reference.

The ICE Series Service Parts Manuals are available separately.

Ice-O-Matic icemakers and dispensers are not approved for outdoor installation.

WARNING: Always disconnect electrical power and shut off water supply whenever maintenance or repairs are performed on the ice machine and related equipment.

CAUTION: Always wear protective eyewear whenever maintenance or repairs are performed on the ice machine and related equipment.



The following Ice-O-Matic models are ENERGY STAR qualified.

Self-Contained Cube Ice Makers:

ICEU150HA	ICEU150FA
ICEU220HA	ICEU220FA
ICEU300HA	ICEU300FA

Modular Cube Ice Makers:

ICE0400FA	ICE0400HA
ICE0400FT	ICE0400HT
ICE0520FA	ICE0520HA
ICE606HR	ICE606FR
ICE0806HR	ICE0806FR
ICE1007HR	ICE1007FR
ICE1406HA	ICE1406FA
ICE1407HA	ICE1407FA
ICE1506HR	ICE1506FR

Rebates or incentives may be available through local utility companies on ENERGY STAR qualified equipment.

Introduction	Page i
Table of Contents	Page ii
Freight Claim Procedure	Page iii
Warranty	Page iv
Model Number and Serial Number Format	Page 1
Installation Guidelines	Page 2
Remote Condenser Guidelines	Page 4
Electrical and Plumbing Requirements	Page 6
How the Machine Works	Page 13
Start-Up Procedure	Page 14
General Maintenance	Page 16
Cleaning Procedure	Page 17
Cabinet Care	Page 18
Winterizing Procedure	Page 19
Maintenance Record	Page 20

Freight Claims Important!**Inspect Promptly**

This merchandise has been carefully inspected and packed in accordance with the carrier's packing specifications. Responsibility for safe delivery has been assumed by the carrier. If loss or damage occurs, you as the consignee must file a claim with the carrier and hold the container for carrier's inspection.

Visible Loss or Damage

Any external evidence of loss or damage must be fully described and noted on your freight bill or express receipt and signed by the carrier's agent. The claim should be filed on a form available from the carrier.

Concealed Loss or Damage

If loss or damage does not appear until merchandise has been unpacked, make a written request for inspection by the carrier within 15 days of the delivery date. Then file a claim on a form from the carrier.

File Claim Without Delay**Do Not Return Damaged Merchandise to Ice-O-Matic**

**Ice-O-Matic
Parts and Labor
Domestic & International Limited Warranty**

Mile High Equipment LLC (the "Company") warrants Ice-O-Matic brand ice machines, ice dispensers, remote condensers, water filters, and ice storage bins to the end customer against defects in material and factory workmanship for the following:

<ul style="list-style-type: none"> • Cube ice machines,"GEM" model compressed ice machines , " MFI" model flake ice machines and remote condensers. - Thirty-six (36) months parts and labor 	<ul style="list-style-type: none"> • Ice storage bins -Twenty-four (24) month parts and labor
<ul style="list-style-type: none"> • "EF" and "EMF" model flake ice machines - Twenty-four (24) months parts and labor 	<ul style="list-style-type: none"> • IOD model dispensers - Twenty-four (24) months parts, Twelve (12) months labor
<ul style="list-style-type: none"> • CD model dispensers - Thirty-six (36) months parts and labor 	<ul style="list-style-type: none"> • Water filter systems - Twelve (12) months parts and labor (not including filter cartridges)

An additional twenty-four (24) month warranty on parts (excluding labor) will be extended to all cube ice machine evaporator plates and compressors, "GEM" model compressed ice machine compressors, and "MFI" model flake ice machine compressors from the date of original installation. An additional thirty-six (36) month warranty on parts (excluding labor) will be extended to all "EF" and "EMF" model flake ice machine compressors from the date of original installation. The company will replace EXW (Incoterms 2000) the Company plant or, EXW (Incoterms 2000) the Company-authorized distributor, without cost to the Customer, that part of any such machine that becomes defective. In the event that the Warranty Registration Card indicating the installation date has not been returned to Ice-O-Matic, the warranty period will begin on the date of shipment from the Company. Irrespective of the actual installation date, the product will be warranted for a maximum of seventy-two (72) months from date of shipment from the Company.

ICE-model cube ice machines which are registered in the Water Filter Extended Warranty Program will receive a total of eighty-four (84) months parts and labor coverage on the evaporator plate from the date of original installation. Water filters must be installed at the time of installation and registered with the Company at that time. Water filter cartridges must be changed every six (6) months and that change reported to the Company to maintain the extended evaporator warranty.

No replacement will be made for any part or assembly which (I) has been subject to an alteration or accident; (II) was used in any way which, in the Company's opinion, adversely affects the machine's performance; (III) is from a machine on which the serial number has been altered or removed; or, (IV) uses any replacement part not authorized by the Company. This warranty does not apply to destruction or damage caused by unauthorized service, using other than Ice-O-Matic authorized replacements, risks of transportation, damage resulting from adverse environmental or water conditions, accidents, misuse, abuse, improper drainage, interruption in the electrical or water supply, charges related to the replacement of non-defective parts or components, damage by fire, flood, or acts of God.

This warranty is valid only when installation, service, and preventive maintenance are performed by a Company-authorized distributor, a Company-authorized service agency, or a Company Regional Manager. The Company reserves the right to refuse claims made for ice machines or bins used in more than one location. This Limited Warranty does not cover ice bills, normal maintenance, after-install adjustments, and cleaning.

Limitation of Warranty

This warranty is valid only for products produced and shipped from the Company after January, 2007. A product produced or installed before that date shall be covered by the Limited Warranty in effect at the date of its shipment. The liability of the Company for breach of this warranty shall, in any case, be limited to the cost of a new part to replace any part, which proves to be defective. The Company makes no representations or warranties of any character as to accessories or auxiliary equipment not manufactured by the Company. REPAIR OR REPLACEMENT AS PROVIDED UNDER THIS WARRANTY IS THE EXCLUSIVE REMEDY OF THE CUSTOMER. MILE HIGH EQUIPMENT SHALL NOT BE LIABLE FOR ANY INCIDENTAL OR CONSEQUENTIAL DAMAGES FOR BREACH OF ANY EXPRESS OR IMPLIED WARRANTY ON THIS PRODUCT. EXCEPT TO THE EXTENT PROHIBITED BY APPLICABLE LAW, ANY IMPLIED WARRANTY OR MERCHANTABILITY OR FITNESS FOR A PARTICULAR PURPOSE ON THIS PRODUCT IS LIMITED IN DURATION TO THE LENGTH OF THIS WARRANTY.

Filing a Claim

All claims for reimbursement **must be received at the factory within 90 days from date of service** to be eligible for credit. **All claims outside this time period will be void.** The model, the serial number and, if necessary, proof of installation, must be included in the claim. Claims for labor to replace defective parts must be included with the part claim to receive consideration. Payment on claims for labor will be limited to the published labor time allowance hours in effect at the time of repair. The Company may elect to require the return of components to validate a claim. Any defective part returned must be shipped to the Company or the Company-authorized distributor, transportation charges pre-paid, and properly sealed and tagged. The Company does not assume any responsibility for any expenses incurred in the field incidental to the repair of equipment covered by this warranty. The decision of the Company with respect to repair or replacement of a part shall be final. No person is authorized to give any other warranties or to assume any other liability on the Company's behalf unless done in writing by an officer of the Company.

GOVERNING LAW

This Limited Warranty shall be governed by the laws of the state of Delaware, U.S.A., excluding their conflicts of law principles. The United Nations Convention on Contracts for the International Sale of Goods is hereby excluded in its entirety from application to this Limited Warranty.

**Mile High Equipment LLC, 11100 East 45th Avenue, Denver, Colorado 80239 (303) 371-3737
January 2007**

Model and Serial Number Format

Note: Sample of Serial Number Data Plate

MODEL NUMBER ICE0400HA2


SERIAL NUMBER 04071280010123


AC SUPPLY VOLTAGE ~ 115 HERTZ 60
 TOTAL LOAD AMPS PHASE 1
 MINIMUM CIRCUIT AMPACITY 14.4 WIRES 2
 MAX FUSE SIZE OR HACR TYPE CIRCUIT BREAKER 15.0
 HEATER WATTS

MOTORS	VOLTS	RLA/FLA	W/HP	LRA
1 COMPRESSOR	115	9.5		51.0
1 FAN DRIVE	115	2.0	0.06HP	
1 HARVEST	115	.1	3W	
1 PUMP	115	.4	31W	

RATED POWER CONSUMPTION (KW) 0
 REFRIGERANT R404A CHARGE/CIRCUIT 30 OZ 849 GRAMS
 NUMBER OF REFRIGERANT CIRCUITS 1

DESIGN PRESSURES P.S.I. 252 -LO 500 -HI
 BARS 17.7 -LO 35.1 -HI

 LISTED 361P US
 ICE MAKER WITHOUT STORAGE MEANS




MILE HIGH EQUIPMENT CO.
 DENVER, COLORADO 80239
 MADE IN U.S.A.


RATED ENERGY EFFICIENCY (KWH/100 LB) 6.5 (KJ/KG) 555.6
 MINIMUM BIN ENERGY EFFICIENCY (%) NA

Verified in Accordance With Energy Standard CAN/CSA 742-98 and ARI 810-91 by Underwriters Laboratories Inc.
 Approved City of Los Angeles Mechanical Testing Laboratory M-860074
 Accepted for use City of New York Department of Buildings MEA 37-00-E

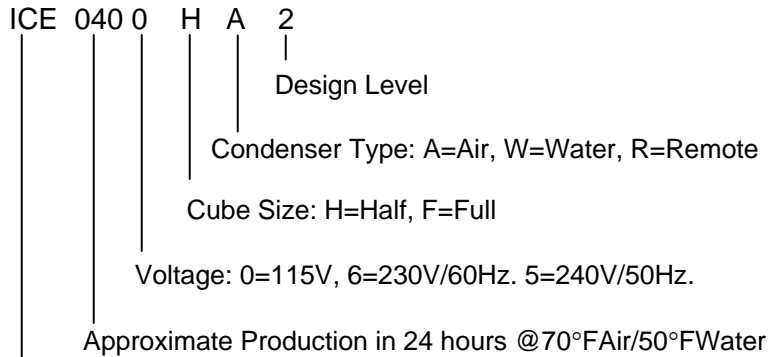
MODEL NUMBER ICE0400HA2
SERIAL NUMBER 04071280010123

VOLTS/HERTZ/PHASE 115/60/1 MAX FUSE SIZE 15.0
 REFRIGERANT R404A CHARGE/CIRCUIT 30 OZ 849 GRAMS

 LISTED 361P US
 ICE MAKER WITHOUT STORAGE MEANS



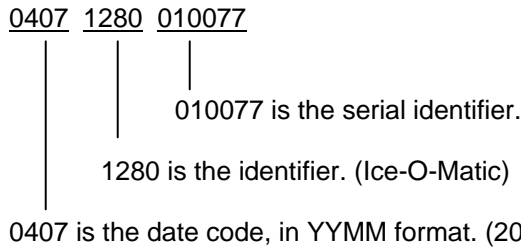
The serial number format and machine specifics are detailed on the data plate.



Series: Environmental Cuber (Uses HFC Refrigerant)

This format is 14 characters long and begins with a date code followed by the Ice-O-Matic identifier, and then a sequential number. This is an entirely numerical serial number.

The serial number will look like the example.



← Large data plate will be placed on the back of the unit.

← Small data plate will be placed by the service valves.

The date code will change monthly and yearly to reflect the date of manufacture.

Installation Guidelines

For proper operation of the Ice-O-Matic ice machine, the following installation guidelines must be followed. Failure to do so may result in loss of production capacity, premature part failures, and may void all warranties.

Reference the installation parameters prior to installing the machine:

Ambient Operating Temperatures

Minimum Operating Temperature: 50°F (10°C)

Maximum Operating Temperature 100°F (38°C), 110°F (43°C) on 50 Hz. Models.

Note: Ice-O-Matic icemakers and dispensers are not approved for outdoor installation.

Incoming Water Supply (See Electrical and Plumbing Diagrams for line sizing)

Minimum incoming water temperature: 40°F (4.5°C)

Maximum incoming water temperature: 100°F (38°C)

Minimum incoming water pressure: 20 psi (1.4 bar)

Maximum incoming water pressure: 60 psi (4.1 bar)

Note: If water pressure exceeds 60 psi (4.1 bar), a water pressure regulator must be installed.

Drains

All drain lines must be installed per local codes. Flexible tubing is not recommended. Route bin drain, purge drain and water condenser drain individually to a floor drain. The use of condensate pumps for draining water is not recommended by Ice-O-Matic. Ice-O-Matic assumes no responsibility for improperly installed equipment.

Note: The purge drain fitting is plastic; DO NOT apply heat to the purge drain area; DO NOT overtighten.

Water Filtration

A water filter system should be installed with the ice machine.

Clearance Requirements

Self-contained air cooled ice machines must have a minimum of 6 inches (15cm) of clearance at the rear, top, and sides of the ice machine for proper air circulation.

Stacking

If the ice machines are to be stacked, refer to the instructions in the stacking kit. Ice-O-Matic does not endorse stacking air-cooled ice machines.

Dispenser Application

A thermostatic bin control kit should be installed if the ICE Series ice machine is placed on a dispenser. A bin top may or may not be required. **(Exception is the CD400 Series Dispenser)**

Electrical Specifications

Refer to the serial plate at the rear of the ice machine to make sure proper voltage and circuit breaker size have been supplied. Make sure the machine is on a dedicated circuit. European installations require that the electrical supply fixed wiring must be provided with a disconnect means having a separation of at least 3mm in all poles. The ice machines are provided without an electrical cord set and are designed and agency approved to be permanently connected.

The 115 volt Undercounter series ice makers are supplied with an electrical cord, all other ice makers will need to be installed and wired per local electrical codes.

Caution: Electrical connection must be made or a cord installed by a qualified electrician or there is danger of an electrical fire.

Adjustments

Level the machine within 1/8 inch in all directions.

Check the bin control for proper adjustment.

Check the water in the water trough for proper level.

Check the ice bridge for proper thickness.

Check the water regulating valve adjustment if water cooled.

Secure the machine on top of the bin or dispenser.

Attach the ice machine to the bin with the mounting straps provided with the bin or dispenser. Insure that the back of the ice machine is flush with the back of the bin. Proper functioning of the bin door requires the bin door, when it is opened, to be in a stable position.

If the ice machine is too far forward on the bin, the opened door may not be stable, resulting in an unexpected closing of the bin door. If the ice machine is to be mounted on a bin or dispenser other than an Ice-O-Matic, refer to the manufacturers instructions for machine mounting. Ice-O-Matic will not be responsible for damage or injury that results from unexpected closing of the bin door as a result of the ice machine being too far forward on the bin.

If the ice machine is to be stacked on top of another ice machine, a stacking kit will need to be installed. Refer to the installation instructions included with the stacking kit.

Important!

A water filtration system should be installed with all ice machines. Check the filter manufacturer's instructions for proper installation.

All water supply lines must be installed per local codes. Use 1/4 inch O.D. minimum on air cooled machines. On water cooled machines 3/8 inch O.D. minimum tubing must be run to the condenser. The water supply for the float can "T" off from the condenser line using 1/4 inch O.D. minimum tubing. Make 2 coils of extra tubing so that the machine can be pulled away from the wall if service is needed.

All drain lines must be installed per local codes. The purge drain should be a minimum of 5/8 inch O.D. tubing. The condenser drain on water cooled units should be 3/8 inch O.D. minimum. The drain line fittings on Ice-O-Matic bins are 3/4 FPT. The bin drain should be a minimum of 3/4 inch O.D. Cold water drains should be insulated to prevent condensation from forming.

Warning!

Do not apply heat directly to the back of bin as damage may occur to plastic parts.

Do not over tighten the purge drain fitting as damage may occur to plastic parts.

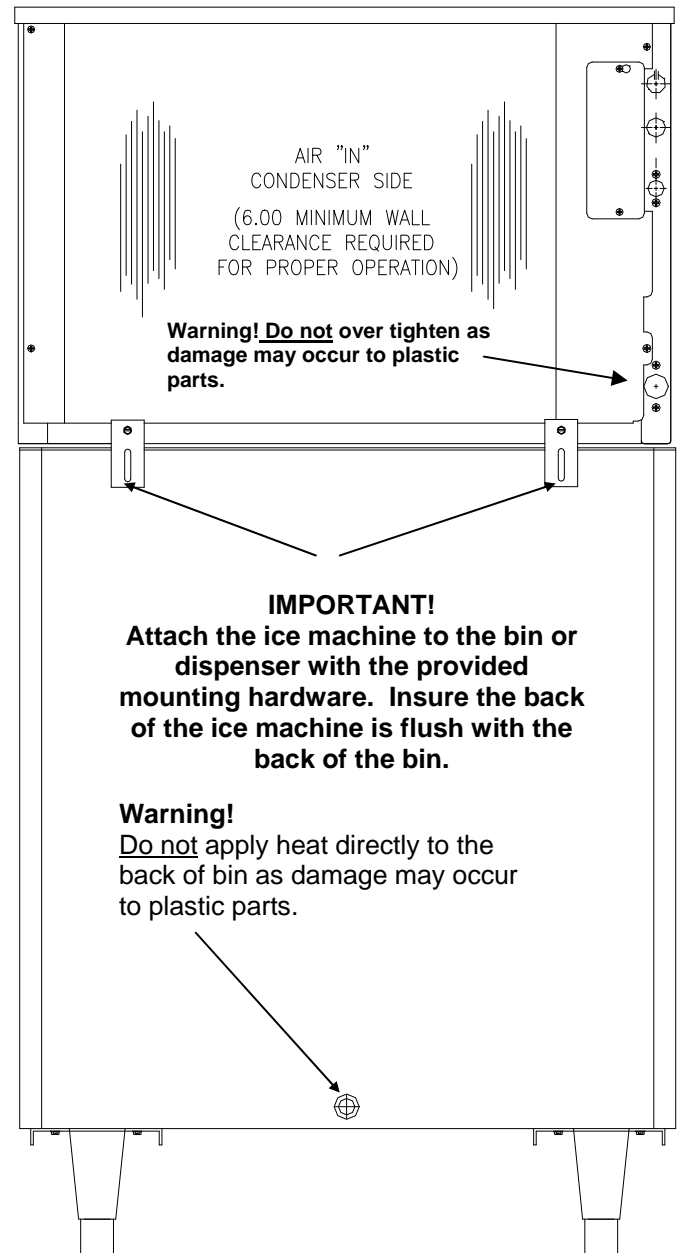
Connect power supply to the terminal block in the control box or at the rear junction box if equipped.

Ensure the machine is level within 1/8 inch in all directions.

Remove any shipping or packaging material.

If the machine has a remote condenser, reference the Remote Condenser Installation Guidelines.

Once the machine has been installed, follow the start-up procedures.



Remote Condenser Installation

For proper operation of the Ice-O-Matic ice machine, the following installation guidelines must be followed. Failure to do so may result in loss of production capacity, premature part failure, and may void all warranties.

Use the following for planning the placement of the remote condenser relative to the ice machine.

Location Limits: Remote condenser location must not exceed ANY of the following:

- Maximum rise from the ice machine to the remote condenser is 35 physical feet.
- Maximum drop from the ice machine to the remote condenser is 15 physical feet.
- Physical line set maximum length is 75 feet.
- Calculated line set length maximum is 100 feet.
- Ambient operating temperatures: -20°F (-28.9°C) to 120°F (48.9°C)

Calculation Formula

- Drop = dd x 6.6 (dd = distance in feet)
- Rise = rd x 1.7 (rd = distance in feet)
- Horizontal Run = hd x 1 (hd = distance in feet)
- Calculation: Drop(s) + Rise(s) + Horizontal Run = dd+rd+hd=Calculated Line Length

Configurations that do NOT meet these requirements must receive written authorization from Ice-O-Matic. This includes multipass or rack system remote condensers.

Do NOT:

- Route a line set that rises, then falls, then rises.
- Route a line set that falls, then rises, then falls.

Remote Condenser Location:

Limited to a 25, 40, 45, 60 or a 75 foot length of precharged refrigerant tubing connecting the ice machine to the remote condenser. The remote condenser must be above or level with the ice machine. Select the best available location, protecting the remote condenser from extremes of dirt, dust and sun. Meet all applicable building codes. Usually the services of a licensed electrician are required.

Roof Attachment:

1. Install and attach the remote condenser to the roof of the building, using the methods and practices of construction that conform to the local building codes, including having a roofing contractor secure the remote condenser to the roof.
2. Have an electrician connect the remote condenser fan motor wires to the ice machine, using the junction box at the back of the ice machine.

Precharged Line Set Routing

CAUTION: Do not connect the precharged tubing until all routing and forming of the tubing is complete. See the coupling instructions for connecting information.

1. Each set of precharged tubing refrigerant lines consists of a 3/8 diameter liquid line and a 1/2 inch diameter discharge line. Both ends of each line have quick connect couplings, one end has a Schrader valve connection which goes to the condenser.

Note: The openings in the building ceiling or wall, listed in the next step, are the minimum sizes recommended for passing the refrigerant lines through.

2. Have the roofing contractor cut a minimum hole for the refrigerant lines of 2.50 inch. Check local codes, a separate hole may be required for the electrical power to the condenser.

CAUTION: DO NOT KINK OR CRIMP REFRIGERANT TUBING WHEN INSTALLING IT.

3. Route the refrigerant lines through the roof opening. Follow straight line routing whenever possible. Any excess tubing **MUST** remain within the building.
4. Spiral the excess length of precharged tubing inside the building. Use a horizontal spiral to avoid any traps in the lines.
5. Have the roofing contractor seal the holes in the roof per local codes.

CAUTION: The couplings on the sets of precharged lines are self sealing when installed properly. Carefully follow the instructions in the VRC manual.

The following remote ice makers incorporate the mixing valve in the condenser. This configuration allows up to a 100 foot calculated remote line set run. Reference the diagram below to calculate the maximum 100 foot line set run.

ICE Machine Model Number	Remote Condenser Model Number
ICE2106/7R4	VRC5061B
ICE1806/7R4	VRC5061B
ICE1506HR3	VRC2661B
ICE1405/6/7R4	VRC2661B
ICE1006R3	VRC2061B
ICE806R3	VRC2061B
ICE0606R5	VRC1061B
ICE0500R5	VRC1001B

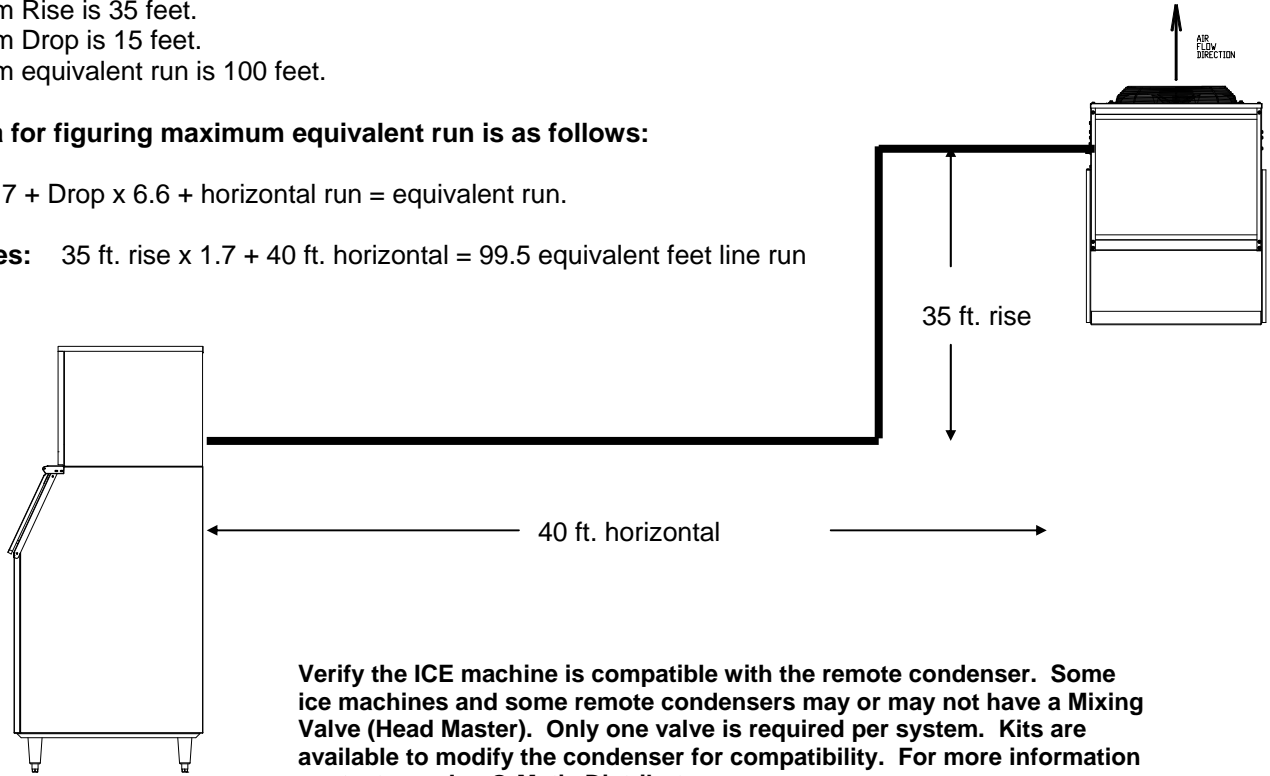
Limitations for new remote machines that have the mixing valve mounted in the condenser.

- Maximum Rise is 35 feet.
- Maximum Drop is 15 feet.
- Maximum equivalent run is 100 feet.

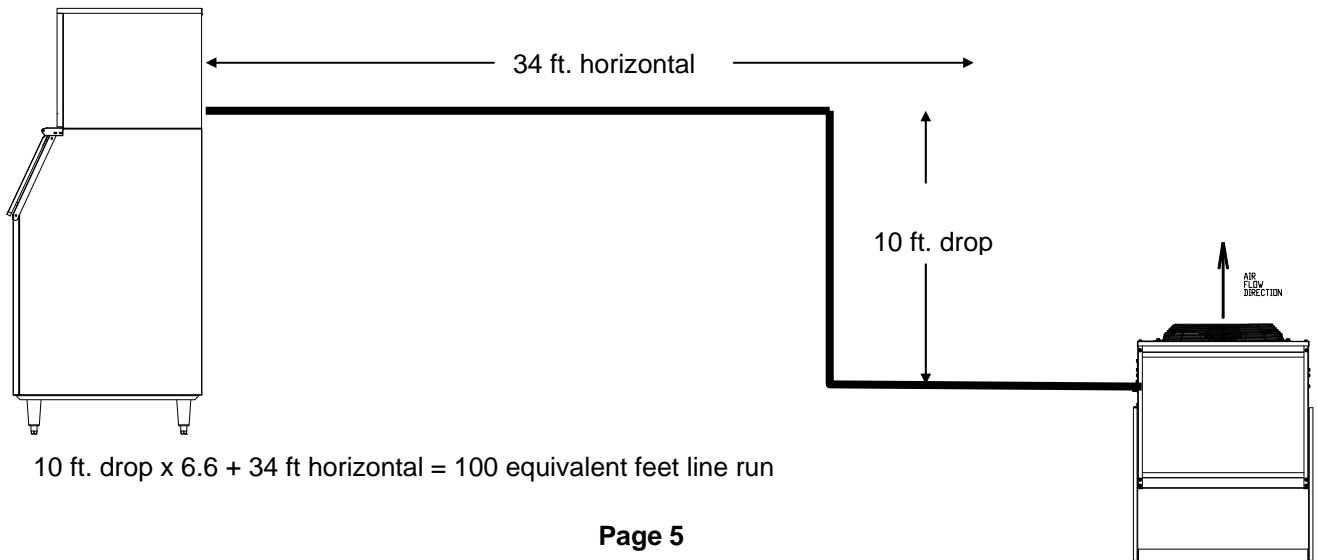
Formula for figuring maximum equivalent run is as follows:

Rise x 1.7 + Drop x 6.6 + horizontal run = equivalent run.

Examples: 35 ft. rise x 1.7 + 40 ft. horizontal = 99.5 equivalent feet line run

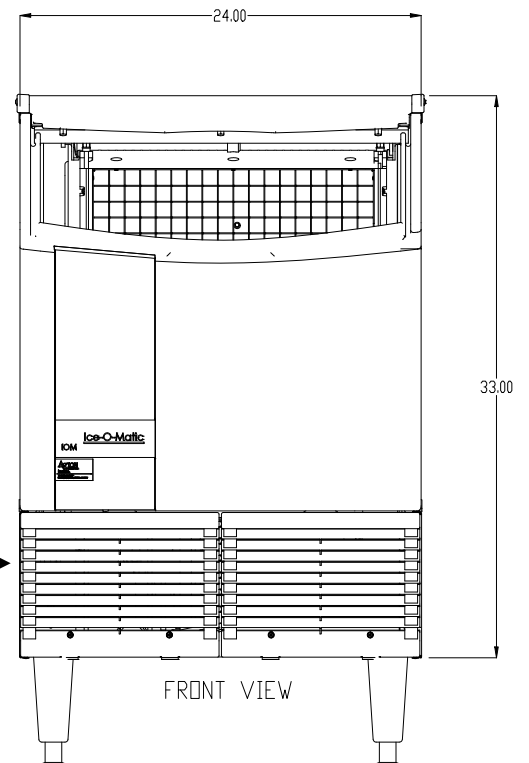
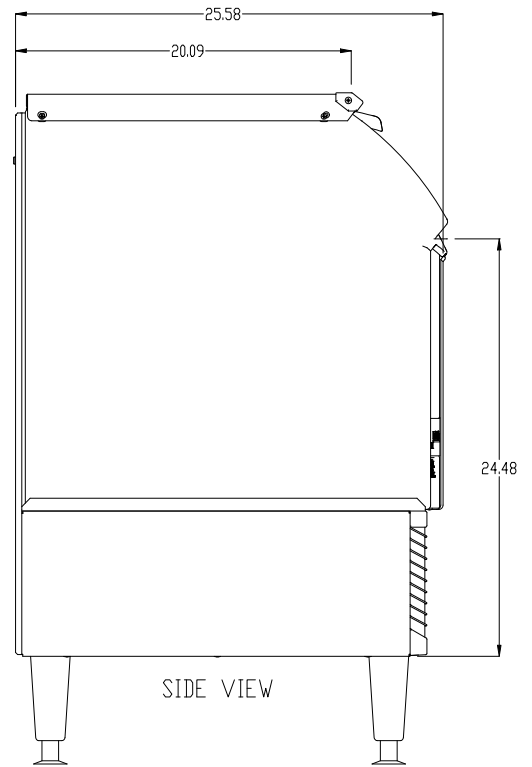
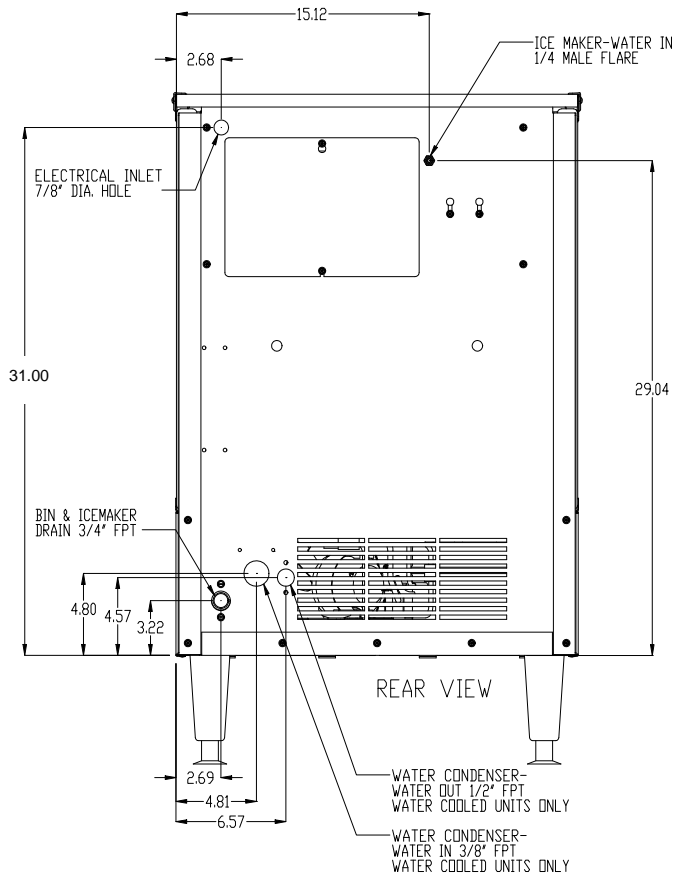


Verify the ICE machine is compatible with the remote condenser. Some ice machines and some remote condensers may or may not have a Mixing Valve (Head Master). Only one valve is required per system. Kits are available to modify the condenser for compatibility. For more information contact your Ice-O-Matic Distributor.



10 ft. drop x 6.6 + 34 ft horizontal = 100 equivalent feet line run

Electrical and Plumbing Requirements: ICEU150, 220, 225 and 226



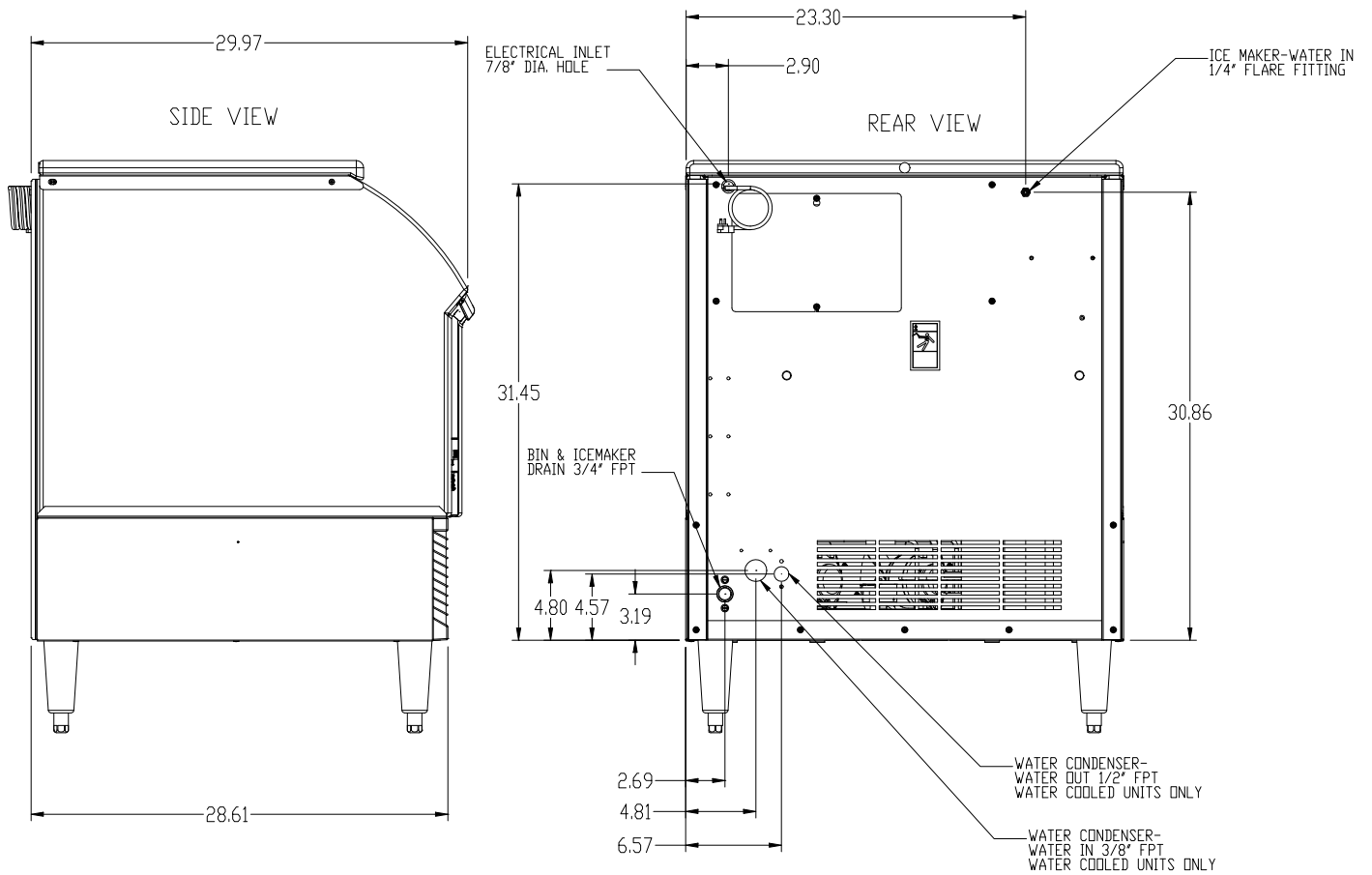
Note: The ICEU150, 220, 225 and 226 do not have a splash curtain.

These models utilize a thermostatic bin control in place of a mechanical bin switch.

ON-OFF-WASH Switch is located in the control box.

Remove the grill screws to access the control box.

Electrical and Plumbing Requirements: ICEU300 and 305

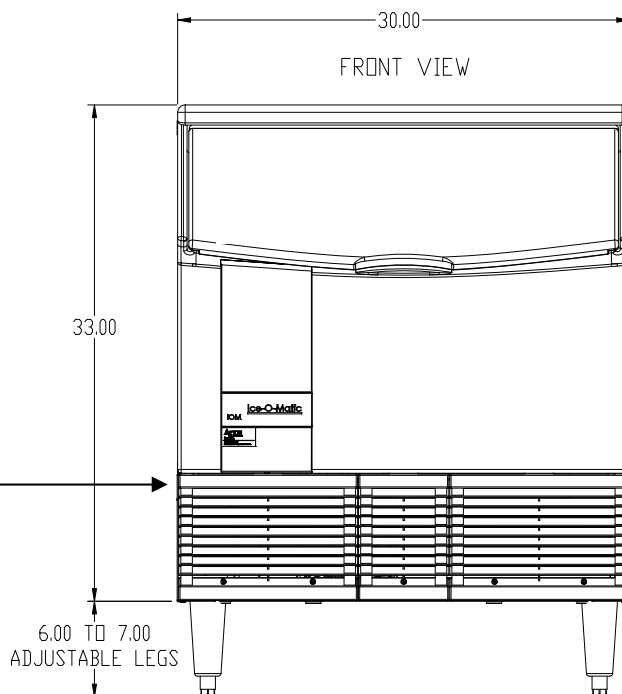


Note: The ICEU300 and 305 do not have a splash curtain.

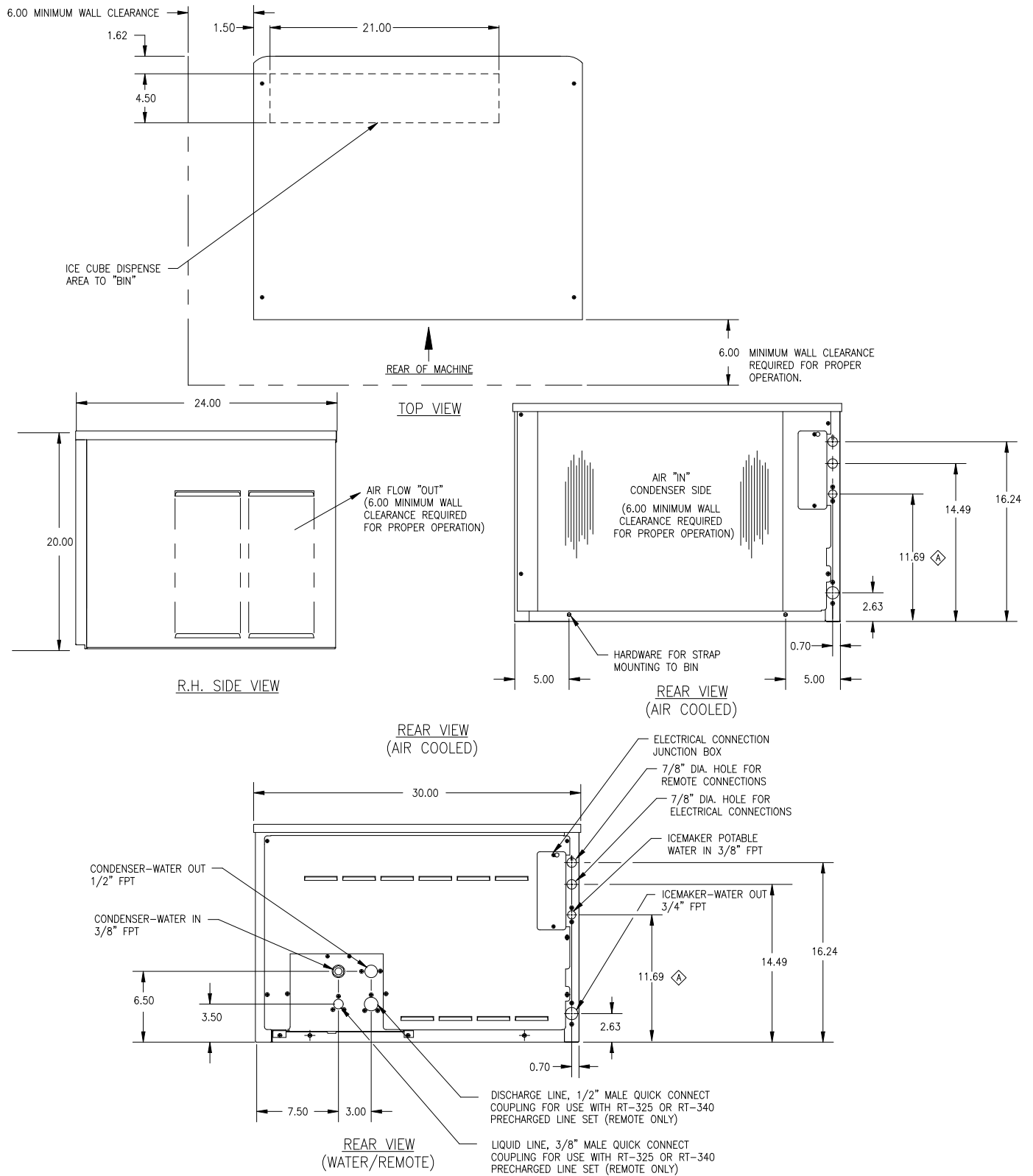
These models utilize a thermostatic bin control in place of a mechanical bin switch.

ON-OFF-WASH Switch is located in the control box.

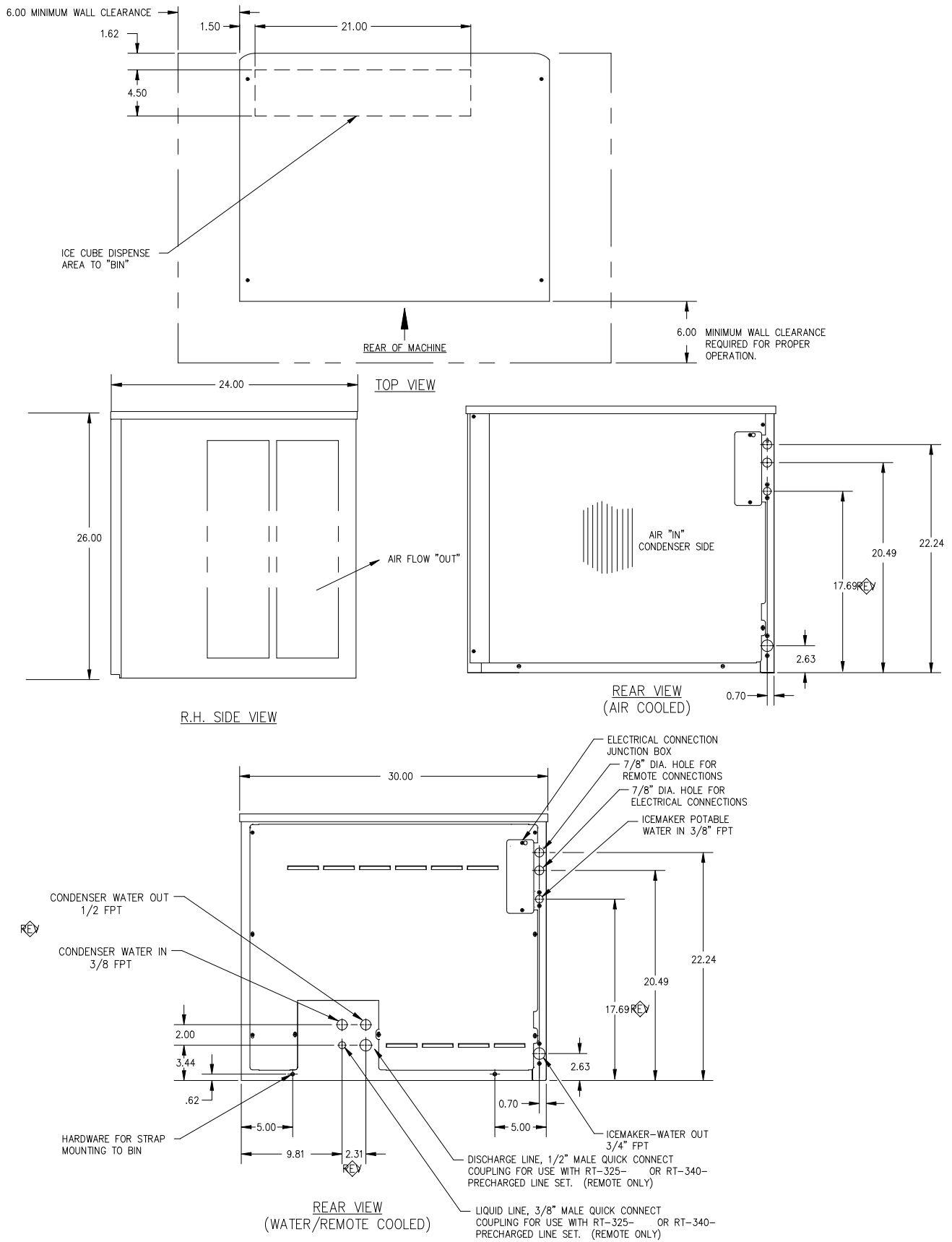
Remove the grill screws to access the control box.



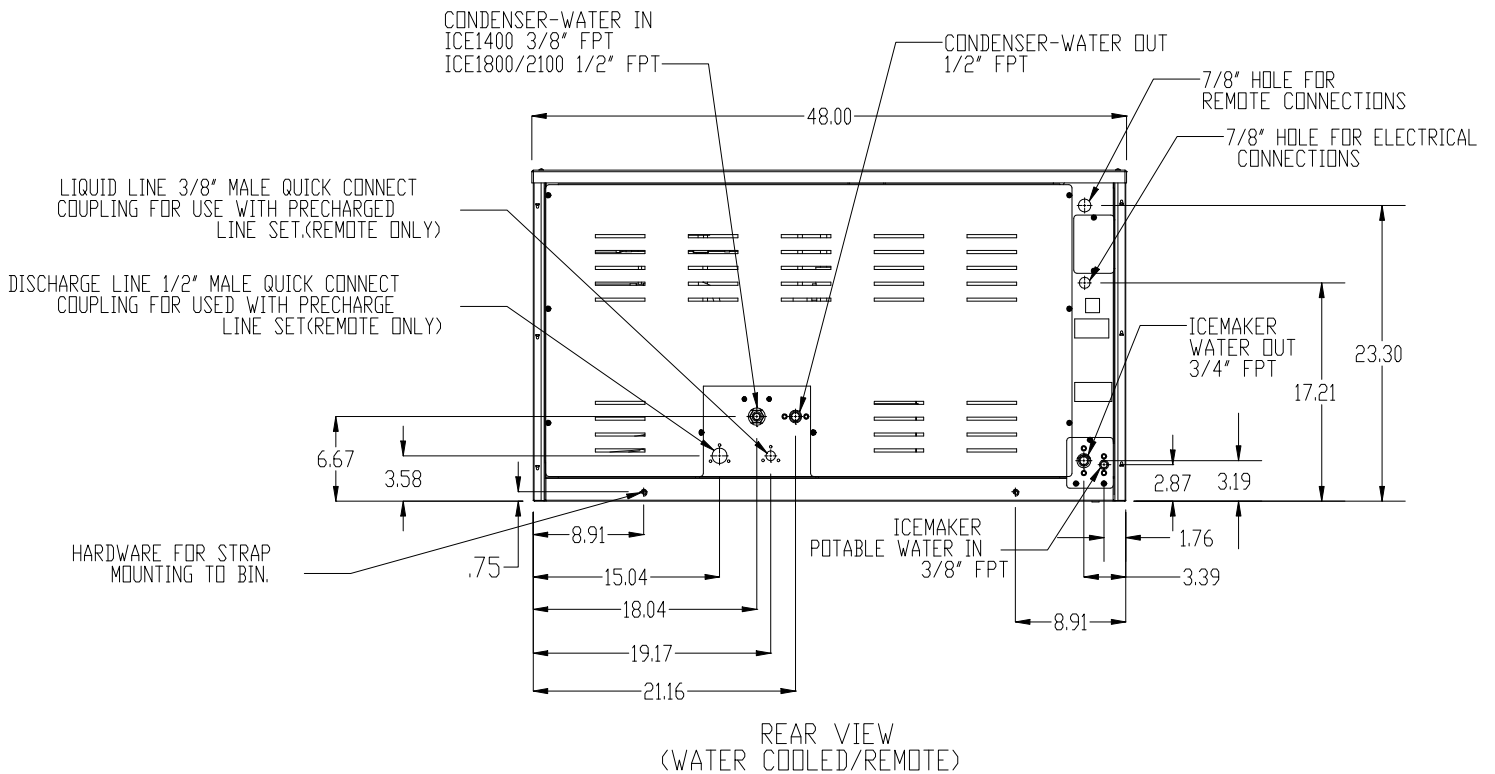
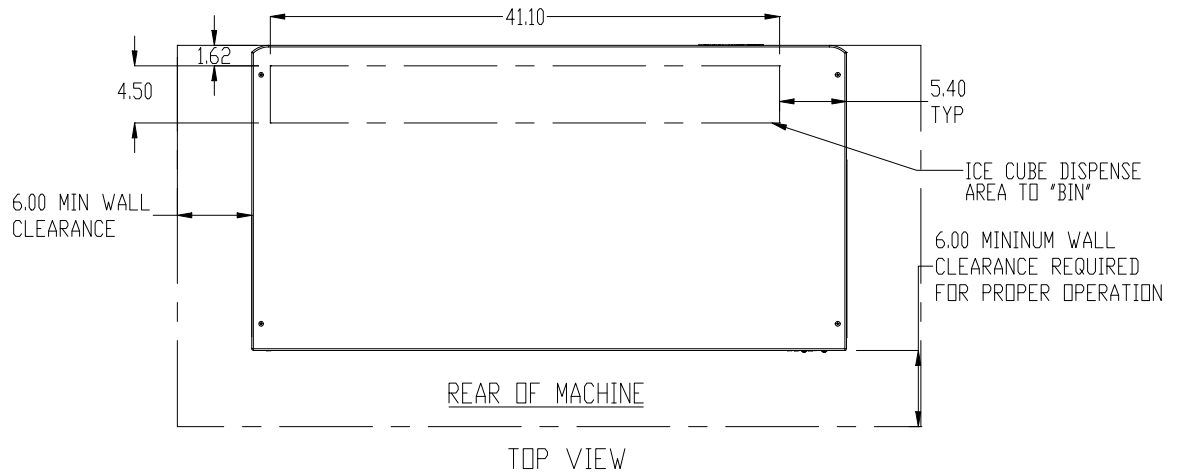
Electrical and Plumbing Requirements: ICE0250, ICE0400, ICE0500 and ICE0600



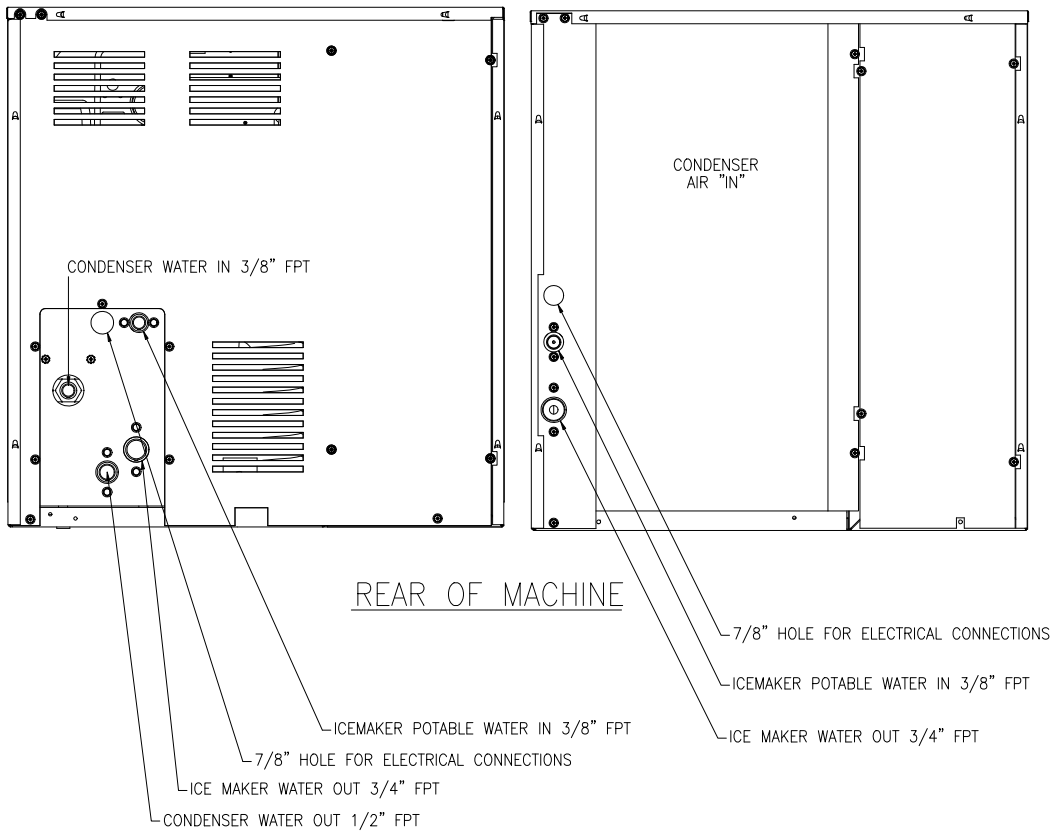
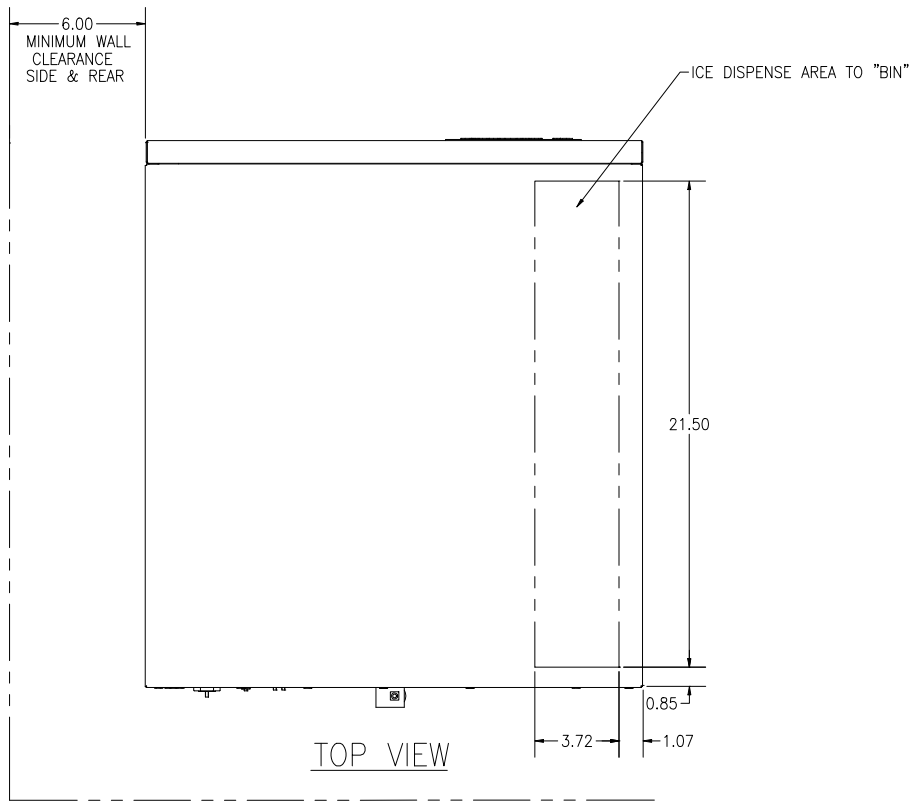
Electrical and Plumbing Requirements: ICE0800 and ICE1000



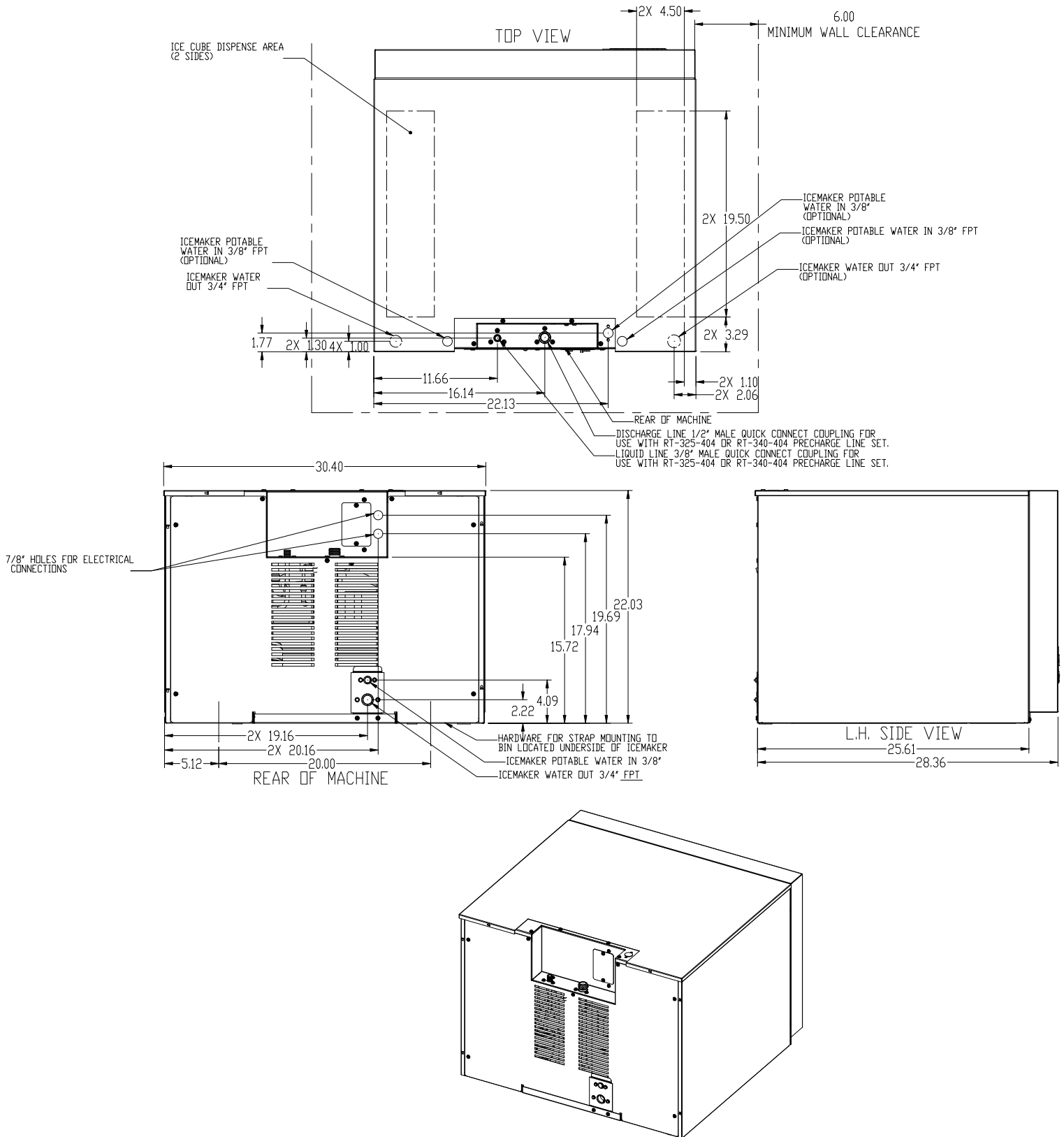
Electrical and Plumbing Requirements: ICE1400, ICE1800 and ICE2100



Electrical and Plumbing Requirements: ICE0320 and ICE0520



Electrical and Plumbing Requirements: ICE1506 Remote



How the ICE Machine Works

A general description of how the **ICE Series** cubers works is given below. With the ICE/OFF/WASH switch in the ICE position, the compressor, water pump and condenser fan motor (when applicable) will energize starting the freeze cycle.

During the freeze cycle, water is circulated over the evaporator(s) where the ice cubes are formed. When the suction pressure has pulled down to the proper cut-in pressure of the timer initiate (pressure control), the contacts will close and energize the time delay module (timer). At this time, the cubes will be close to completion.

The remaining portion of the freeze cycle is determined by the timer setting. The timer is pre-set at the factory to achieve the proper ice bridge thickness but may need to be adjusted upon initial start-up, see Page 14 for timer adjustment.

Once the amount of time on the timer has passed, the control relay will be energized and the machine will enter harvest. Power is now supplied to the water purge valve, hot gas valve, and the harvest motor.

The water purge valve opens, and allows the water pump to purge the water remaining in the water trough, removing impurities and sediment. This allows the machine to produce clear ice cubes and keep mineral build up at a minimum.

The hot gas solenoid opens allowing hot gas to go directly to the evaporator, heating the evaporator and breaking the bond between the evaporator and the ice slab.

The harvest assist motor, which is also energized during harvest, turns a slip clutch, which pushes a probe against the back of the ice slab. Once the evaporator has reached approximately 40°F (4.5°F) in temperature, the slip clutch overcomes the bonding of the ice to the evaporator and pushes the slab of ice off of the evaporator and into the storage bin.

The clutch also actuates a switch that rides on the outer edge of the clutch. When the clutch completes one revolution, the switch is tripped and the machine enters the next freeze cycle.

When ice drops into a full bin during harvest, the splash curtain is held open which activates a bin switch shutting the machine off. When ice is removed from the bin, the splash curtain will close and the machine will come back on.

Note: The ICEU150, 220, 225, 226, ICEU300 and 305 do not have a splash curtain. These models utilize a thermostatic bin control in place of a mechanical bin switch.

Start-Up Procedure

Before starting the machine, make sure the machine is level within 1/8 inch in all directions, the bin or dispenser leg height can be adjusted by rotating the leg foot.

Check the water level in the water trough. It should be approximately 1/2 inch above the top of the water pump impeller housing. The water level can be adjusted by bending the float arm.

Move the ICE-OFF-WASH switch to the ICE position. The switch is located in the control box. Remove the ice machine front panel or remove the lower grill on the under counter models to access the control box.

Check for proper water flow over the evaporator(s). There should be an even flow of water over the evaporator(s).

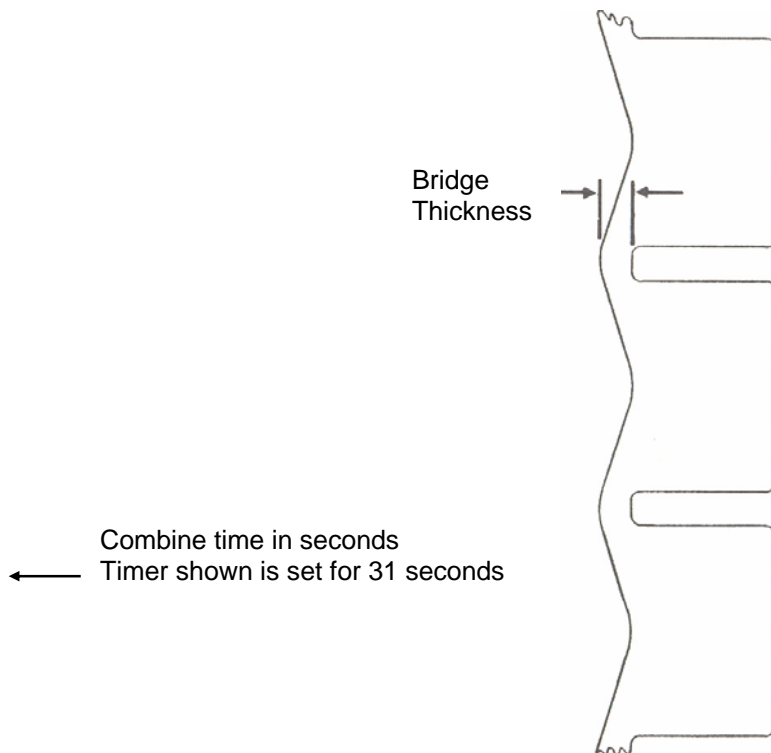
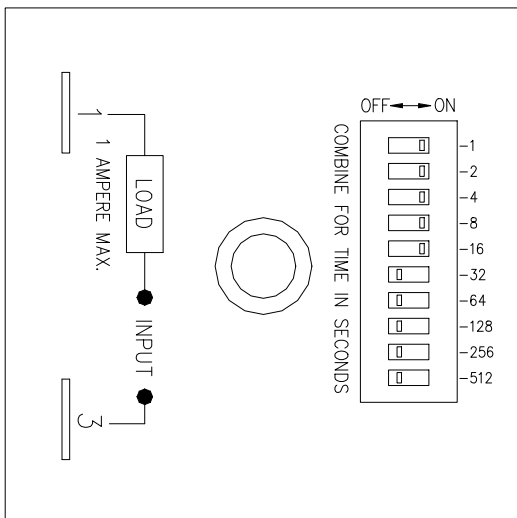
Check the water regulating valve (water cooled machine) for proper adjustment by measuring the water temperature at the outlet of the condenser. It should be between 100°F and 110°F (38°C and 43°C). Adjust the water regulating valve as required.

As ice begins to form on the evaporators, check the freeze pattern of the ice. Ice should form evenly across the evaporator. Models ICE0800, 1000, 1800 and 2100 machines will have a slight variance from the top to the bottom of the evaporator(s).

Bridge Thickness and Timer Adjustment

Once the ice drops off the evaporator(s) during harvest, check the bridge thickness of the ice slab. The bridge should be 3/16 of an inch on Undercounter, ICE0250 and ICE0305 units. The bridge should be 1/8 of an inch on all other units. If the bridge thickness is incorrect, the timer will need adjustment.

The ice bridge thickness is controlled by the freeze timer located in the control box. To check the timer setting, add the seconds of each dipswitch turned to the "ON" position. The number beside the each dipswitch represents seconds. To increase the bridge thickness, increase the timer setting. To decrease the bridge thickness, decrease the timer setting. The freeze timer can be adjusted by sliding one or more switches to either the "ON" or "OFF" position to obtain the desired setting.



Bin Control Operation

The bin control is used to shut the machine off when the bin fills with ice. The bin control must be checked upon installation or initial start-up and when performing maintenance. **Adjustments are not covered under warranty.**

There is one bin switch for each evaporator. The actuator arm of the bin switch comes in contact with the splash curtain. When the bin is full of ice, the splash curtain is held open when ice drops off of the evaporator. This releases the pressure of the bin switch actuator arm allowing the switch to open.

Single evaporator machines: (Including the ICE1506R) If the bin switch opens during freeze or the first part of harvest, relay 2 bypasses the bin switch and the machine will continue running. If the bin switch is opened during harvest when the cam switch is lifted onto the high part of the cam, the machine will shut off. When the bin switch closes again, the machine will restart.

Dual evaporator machines: If either bin switch opens during the freeze cycle, the machine will shut off. Relay 1 and relay 2 will bypass the bin switches during defrost. If either bin switch is open when the machine returns to the freeze cycle, the machine will shut off.

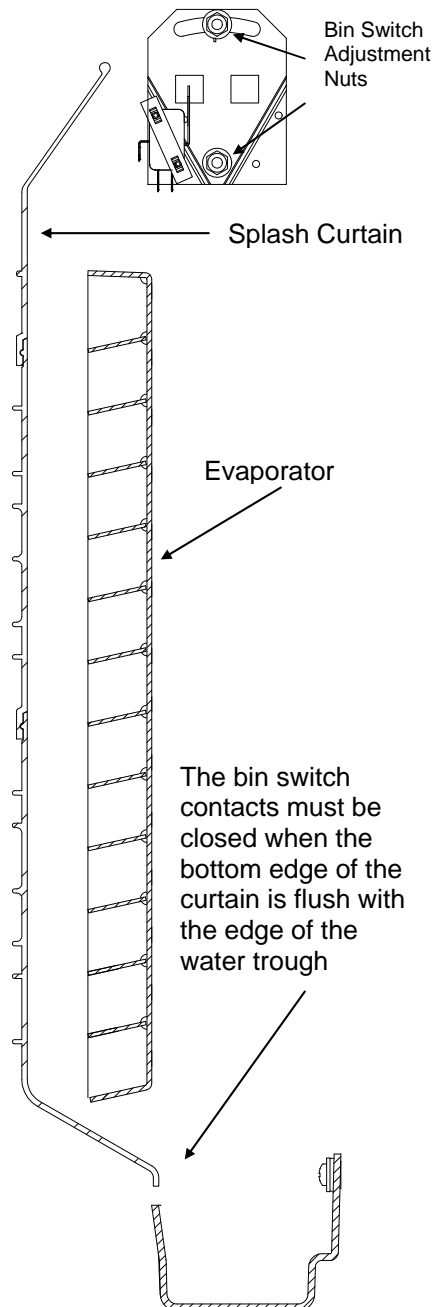
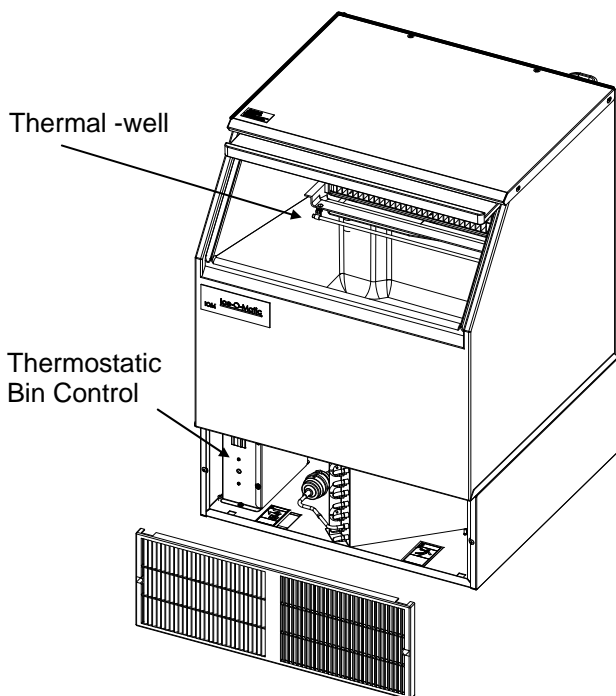
Undercounter machines: A thermostatic bin control is used on the undercounter models. The bin thermostat is located in the control box with a capillary tube, which is in a brass thermo-well mounted to the water trough. When ice comes in contact with the capillary tube thermo-well, the bin thermostat opens and the machine will shut off.

Bin Control Adjustment

All Models (Except Undercounter Models): Check the bin switch for proper adjustment by swinging the bottom of the curtain away from the evaporator. Slowly bring the curtain towards the evaporator. The switch should close when the bottom edge of the curtain is even with the outer edge of the water trough. Adjust the switch by loosening the nuts that hold the switch in place. Move the switch to the proper position and retighten the nuts. Recheck the adjustment. **Adjustments are not covered under warranty.**

Undercounter Models

Turn the machine to the ICE or WASH position. Hold ice against the brass thermal-well mounted to the water trough making sure the ice is in contact with at least 6 inches (15 cm) of the thermal-well. The machine should shut off in approximately 1 minute. Remove the ice. The machine should restart in approximately 3 minutes. If a major adjustment is required, turn the adjustment screw counterclockwise (warmer) until it stops then turn the adjustment screw clockwise (colder) 1/8 of a turn. This should put the control close to the proper adjustment, recheck and make a minor adjustment if needed. If a minor adjustment is required, turn the adjustment screw clockwise (colder) or counterclockwise (warmer). **Adjustments are not covered under warranty.**



WARNING

Electrical shock and/or injury from moving parts inside this machine can cause serious injury. Disconnect electrical supply to machine prior to performing any adjustments or repairs.

Failure to perform the required maintenance at the frequency specified will void warranty coverage in the event of a related failure.

General Maintenance Procedure

To insure economical, trouble free operation of your machine, it is recommended that the following maintenance be performed every 6 months.

1. Clean the ice-making section per the instructions below. Cleaning should be performed a minimum of every 6 months. Local water conditions may require that cleaning be performed more often.
2. Check ice bridge thickness. See page 14 for proper thickness and adjustment procedure.
3. Check water level in trough. See page 14 for proper water level and adjustment.
4. Clean the condenser (air-cooled machines) to insure unobstructed air flow.
5. Check for leaks of any kind: Water, Refrigerant, Oil, Etc.
6. Check the bin control switch for proper adjustment. See page 15 for bin switch adjustment.
7. Check the water valve (water-cooled machines) for proper adjustment by measuring the water temperature at the outlet of the condenser. It should be between 100°F and 110°F. (38°C and 43°C)
8. Check all electrical connections.
9. Oil the fan motor if the motor has an oil fitting. (Self contained air-cooled models only)
10. Check the water filter (if applicable) and replace if dirty or restricted.
11. Inspect the evaporator water distribution tube to insure even distribution of water across the face of the evaporator.

ICE Machine Cleaning and Sanitizing Instructions

It is the USER'S RESPONSIBILITY to see that the unit is properly maintained. It is always preferable and less costly in the long run, to avoid possible down time by keeping it clean and adjusted as needed; and by replacing worn components before they can cause failure. The following is a list of recommended maintenance that will help keep the machine running with a minimum of problems.

Maintenance and Cleaning should be scheduled at a minimum of twice per year.

Note: Electrical power will be ON when performing the following cleaning instructions.

1. Remove the ice machine front panel.
2. Make sure that all the ice is off of the evaporator. If ice is being made, wait for cycle completion then turn the machine "OFF" at the ICE/OFF/WASH selector switch.
3. Remove or melt all ice in the storage bin.
4. Add recommended amount of approved nickel safe ice machine cleaner to the water trough according to label instructions on the container.
5. Initiate the wash cycle at the **ICE/OFF/WASH** switch by placing the switch in the "**WASH**" position. Allow the cleaner to circulate for approximately 15 minutes to remove mineral deposits.
6. Depress the purge switch and hold until the ice machine cleaner has been flushed down the drain and diluted by fresh incoming water.
7. Terminate the wash cycle at the **ICE/OFF/WASH** switch by placing the switch in the "**OFF**" position. Remove the splash curtain and inspect the evaporator and water spillway to ensure all mineral residue has been removed.
8. If necessary, wipe the evaporator, spillway and other water transport surfaces with a clean soft cloth to remove any remaining residue. If necessary, remove the water distribution tube, disassemble and clean with a bottlebrush. Reassemble all components and repeat steps 4 through 7 as required to remove residue.
9. Turn **OFF** ice machine water supply and clean the water trough thoroughly to remove all scale or slime build-up. If necessary, remove the water trough to reach all splash areas and float.
10. Prepare 1½ to 2 gallons (5.7 to 7.5 liters) of approved (EPA/FDA) sodium hypochloride food equipment sanitizer to form a solution with 100 to 200 max. ppm free chlorine yield.
11. Add enough sanitizing solution to fill the water trough to overflowing and place the **ICE/OFF/WASH** switch to the "**WASH**" position and allow circulation to occur for 10 minutes and inspect all disassembled fittings for leaks. During this time, wipe down all other ice machine splash areas, plus the interior surfaces of the bin, deflector and door with the remaining sanitizing solution. Inspect to insure that all functional parts, fasteners, thermostat bulbs (if used), etc. are in the correct position.
12. Depress the purge switch and hold until sanitizer has been flushed down the drain. Turn **ON** the ice machine water supply and continue to purge to the diluted sanitizing solution for another 1 to 2 minutes.
13. Place the **ICE/OFF/WASH** switch to the "**ICE**" position and replace the front panel.
14. Discard the first two ice harvests. **DO NOT USE** any ice produced from the cleaning solution.

WARNING



**Ice Machine Cleaner contains acids.
KEEP OUT OF THE REACH OF CHILDREN
Refer to ice machine cleaner
manufactures emergency instructions on
container label.**

Cleaning stainless steel

Commercial grades of stainless steel are susceptible to rusting if not properly maintained. It is important that you properly care for the stainless steel surfaces of your ice machine and bin to avoid the possibility of rust or corrosion. Use the following recommended guidelines for keeping your stainless steel looking like new:

1. **Clean the stainless steel thoroughly once a week.** Clean frequently to avoid build-up of hard, stubborn stains. Also, hard water stains left to sit can weaken the steel's corrosion resistance and lead to rust. Use a nonabrasive cloth or sponge, working with, not across, the grain.
2. **Don't use abrasive tools to clean the steel surface.** Do not use steel wool, abrasive sponge pads, wire brushes or scrapers to clean the steel. Such tools can break through the "passivation" layer - the thin layer on the surface of stainless steel that protects it from corrosion.
3. **Don't use cleaners that use chlorine or chlorides.** Don't use chlorine bleach or products like Comet to clean the steel. Chlorides break down the passivation layer and can cause rusting.
4. **Rinse with clean water.** If chlorinated cleansers are used, you must thoroughly rinse the surface with clean water and wipe dry immediately.
5. **Use the right cleaning agent.** The table below lists the recommended cleaning agents for common stainless steel cleaning problems:

<u>Cleaning Activity</u>	<u>Cleaning Agent</u>	<u>Method of Application</u>
Routine cleaning	Soap, Ammonia, Windex, or detergent with water. Fantastik, 409, Spic'nSpan Liquid are also approve for Stainless Steel.	Apply with a clean cloth or sponge. Rinse with clean water and wipe dry.
Removing grease or fatty acids	Easy-Off or similar oven cleaners.	Apply generously, allow to stand for 15-20 minutes. Rinse with clean water. Repeat as required.
Removing hard water spots and scale.	Vinegar	Swab or wipe with clean cloth. Rinse with clean water and dry.

Winterizing Procedures

Important!

Whenever the ice machine is taken out of operation during the winter months, the procedure below must be performed. Failure to do so may cause serious damage and will void all warranties.

1. Turn off water to machine.
2. Make sure all ice is off of the evaporator(s). If ice is being made, initiate harvest or wait for cycle completion.
3. Place the ICE/OFF/WASH switch to the “**OFF**” position. The switch is located in the control box.
4. Disconnect the tubing between the water pump discharge and water distribution tube.
5. Drain the water system completely.
6. On water cooled machines, hold the water regulating valve open by prying upward on the water valve spring with a screwdriver while using compressed air to blow all the water out of the condenser.
7. Remove all of the ice in the storage bin and discard.

